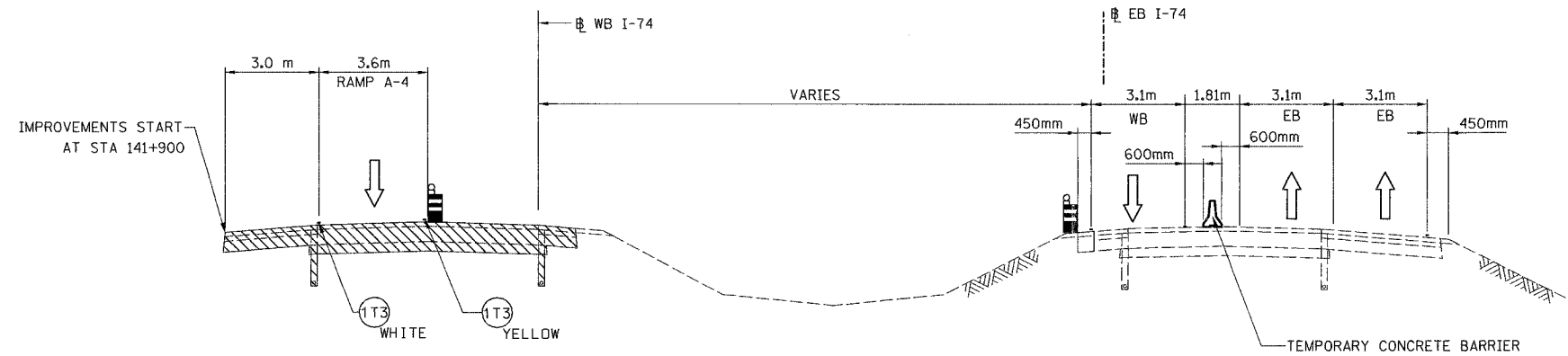


F.A. RTE.	SECTION	COUNTY	TOTAL SHEETS	SHEET NO.
74	(72-71R-3)	PEORIA	1360	147
STA.		TO STA.		
FED. ROAD DIST. NO.		ILLINOIS FED. AID PROJECT		



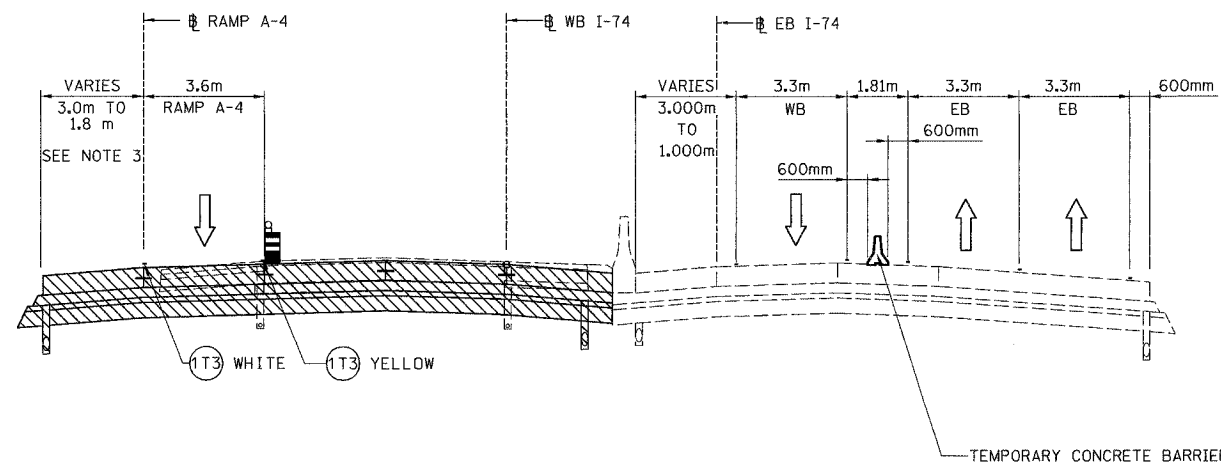
TYPICAL SECTION-01  
FAI ROUTE 74  
STA. 141+650 TO STA. 142+200 WB

LEGEND

- TEMPORARY PAVEMENT
- CONSTRUCTION THIS STAGE
- CONSTRUCTION IN PROCEEDING STAGES
- DIRECTION OF TRAFFIC
- PLASTIC DRUM LIGHTED WITH STEADY BURNING MONODIRECTIONAL LIGHT AT 15.0m O.C. (TYP)
- TEMPORARY CONCRETE BARRIER

TEMPORARY PAVEMENT MARKING TAPE, TYPE III

- 100 mm SOLID
- 100 mm SOLID, WET
- 100 mm DOUBLE SOLID
- 100 mm SKIP DASH

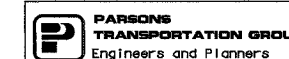


TYPICAL SECTION-02  
FAI ROUTE 74  
STA. 142+200 WB TO 142+326 WB

NOTES:

1. TEMPORARY CONCRETE BARRIER AND PAVEMENT STRIPING ON EB PAVEMENT PLACED IN PREVIOUS STAGE.
2. TRANSITION ON EB PAVEMENT FROM 3.1m TO 3.3m LANES BETWEEN STA. 142+200 AND STA. 142+241.
3. TRANSITION ON WB OUTSIDE SHOULDER FROM 3.0 m TO 1.8 m BETWEEN STA. 142+205 TO STA. 142+250
4. EXISTING TEMPORARY PAVEMENT ALONG BOTH OUTSIDE AND INSIDE SHOULDERS BETWEEN STA 141+450 TO STA. 141+900
5. OUTSIDE EB LANE EXITS TO RAMP A-1 AT STA 142+326 (NOT SHOWN)

REVISIONS		ILLINOIS DEPARTMENT OF TRANSPORTATION MOT TYPICAL SECTIONS FAI ROUTE 74 (I-74) (WB) STAGE 3-2
NAME	DATE	



SCALE N.T.S.      DRAWN BY CADD  
DATE 11/12/04      CHECKED BY KJW