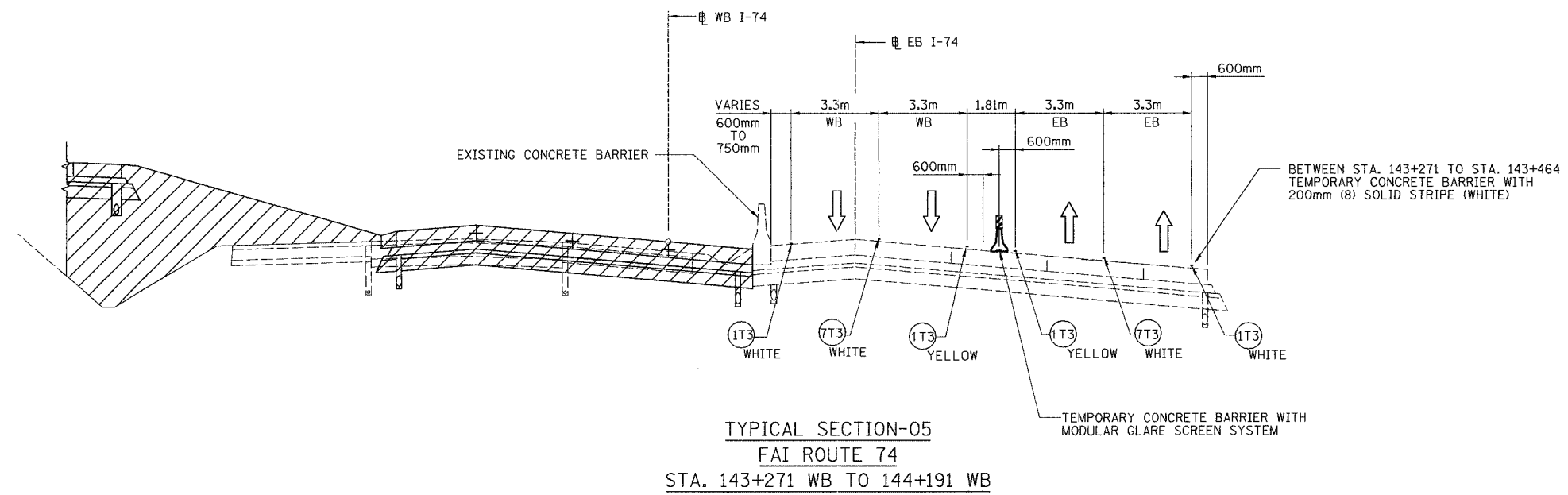
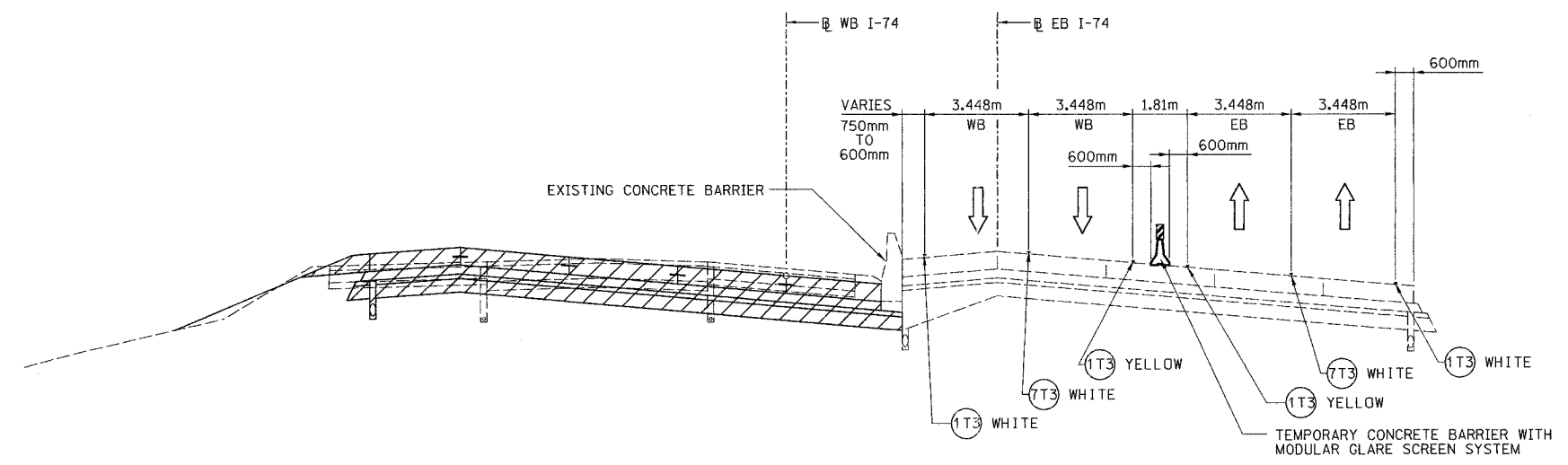


F.A. - RTE.	SECTION	COUNTY	TOTAL SHEETS	SHEET NO.
74	(72-71R-3)	PEORIA	1360	123
STA.		TO STA.		
FED. ROAD DIST. NO.		ILLINOIS FED. AID PROJECT		



TYPICAL SECTION-05
FAI ROUTE 74
STA. 143+271 WB TO 144+191 WB



TYPICAL SECTION-06
FAI ROUTE 74
STA. 144+191 WB TO 144+718.000 WB

LEGEND

- TEMPORARY PAVEMENT
 - CONSTRUCTION THIS STAGE
 - CONSTRUCTION IN PROCEEDING STAGES
 - DIRECTION OF TRAFFIC
 - PLASTIC DRUM LIGHTED WITH STEADY BURNING MONODIRECTIONAL LIGHT AT 15.0m O.C. (TYP)
 - TEMPORARY CONCRETE BARRIER WITH MODULAR GLARE SCREEN SYSTEM
- TEMPORARY PAVEMENT MARKING TAPE, TYPE III
- 100 mm SOLID
 - 100 mm SKIP DASH

NOTE:
LANES TRANSITION FROM 3.3m TO 3.448m
BETWEEN STA. 141+191 AND STA. 144+208.

REVISIONS	
NAME	DATE

ILLINOIS DEPARTMENT OF TRANSPORTATION
MOT TYPICAL SECTIONS
FAI ROUTE 74 (I-74) (WB)
STAGE 3-1
DRAWN BY CADD
CHECKED BY KJW
DATE 11/12/04

