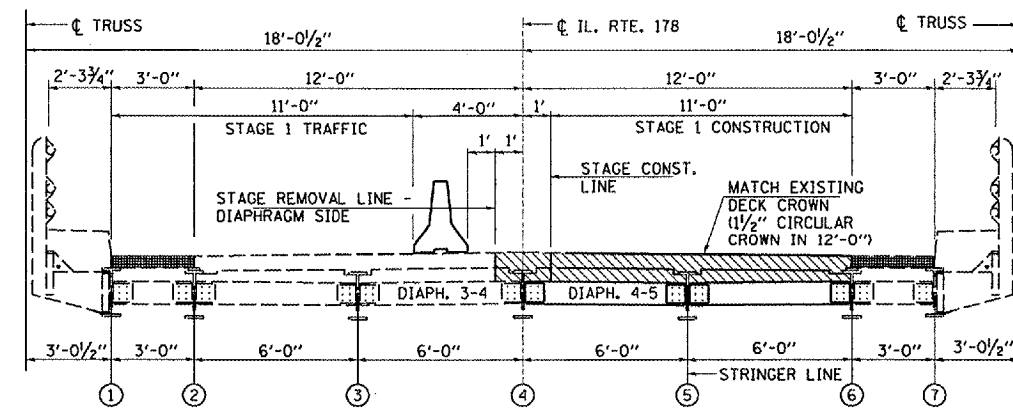
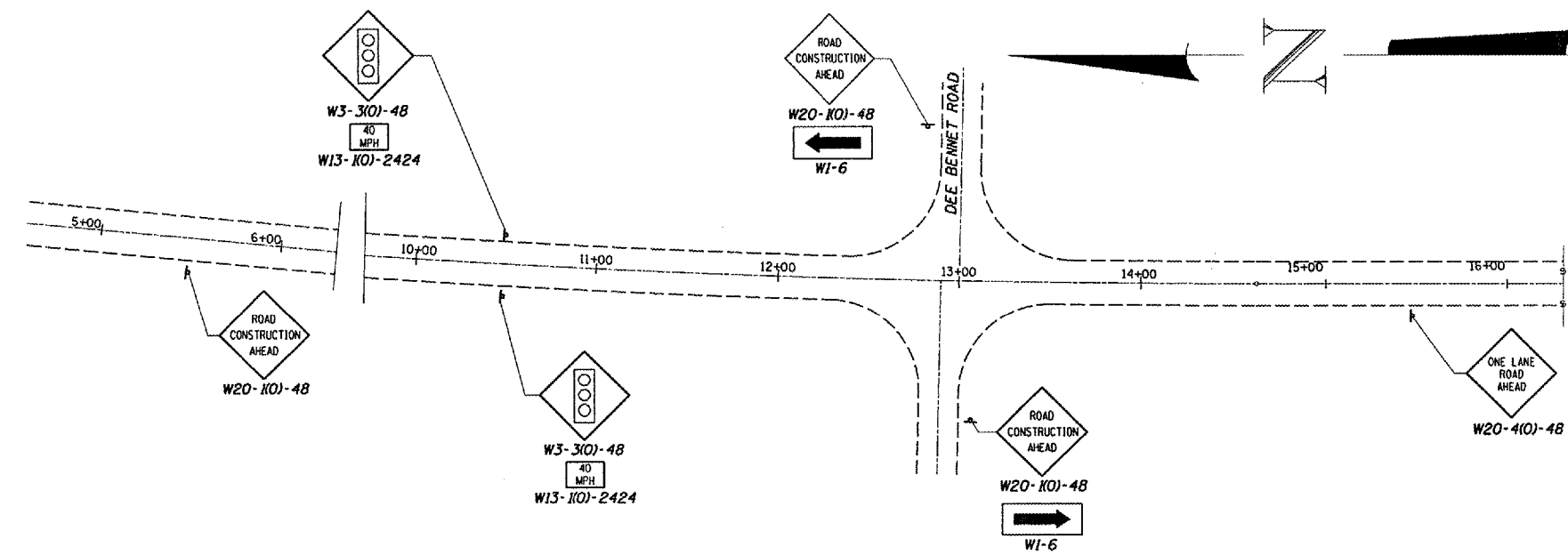
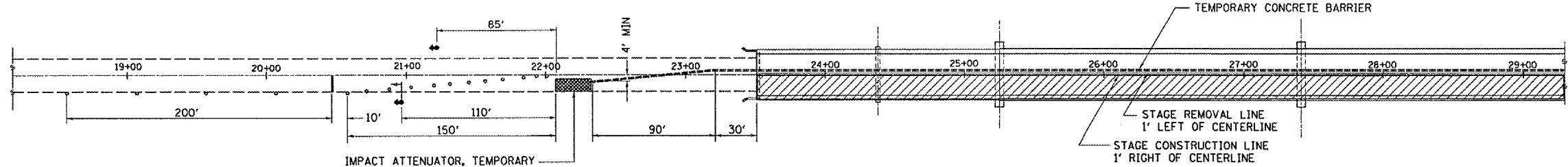


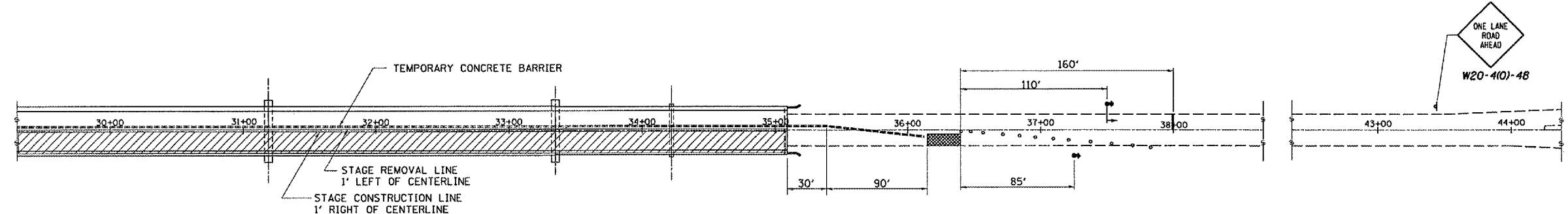
F.A.S. RTE.	SECTION	COUNTY	TOTAL SHEETS	SHEET NO.
1279	1(D,E,F,P)1-3	LASALLE	19	16
STA. 23+51		TO STA. 35+09		
FED. ROAD DIST. NO.		ILLINOIS	NON-FED. AID PROJECT	



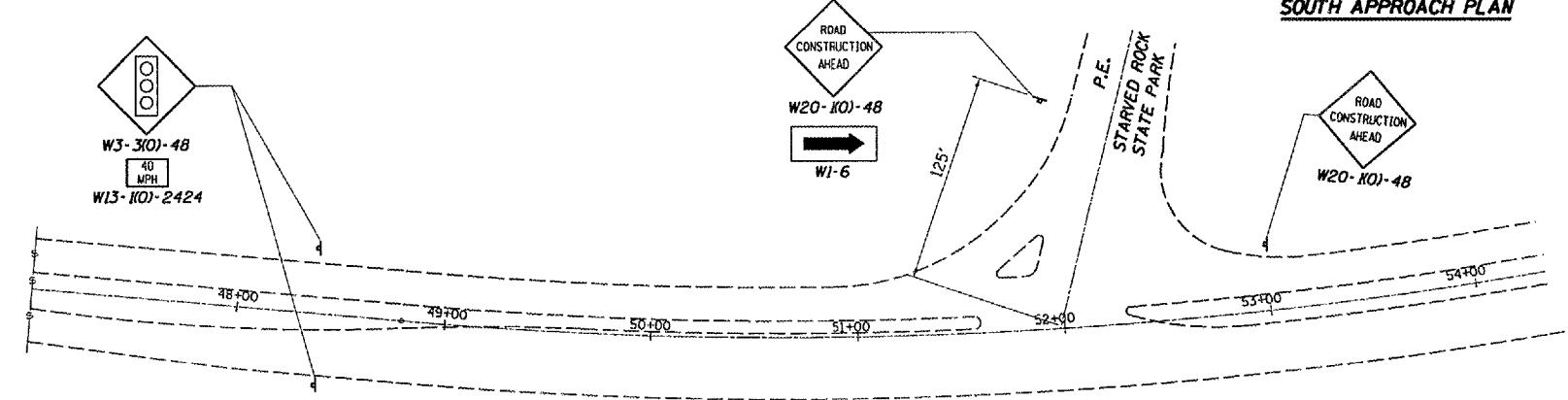
STAGE 1 TYPICAL SECTION
LOOKING SOUTH



NORTH APPROACH PLAN



SOUTH APPROACH PLAN



LEGEND

- DRUM WITH STEADY BURNING LIGHT
- ⬆️ TRAFFIC SIGNAL WITH MICROWAVE DETECTOR
- ⬆️ SIGN
- ▨ INDICATES WORK AREA
- ▩ IMPACT ATTENUATORS TEMPORARY
- | STOP BAR

WORK THIS SHEET WITH STANDARD 701321

REVISIONS	
NAME	DATE

ILLINOIS DEPARTMENT OF TRANSPORTATION
TRAFFIC CONTROL DETAILS
STAGE I
 EXISTING S.N. 050-0088
 IL 178 OVER ILLINOIS RIVER
 STATION 29+30
 SCALE: VERT. _____
 HORIZ. _____
 DATE 12/08/04
 DRAWN BY RLW
 CHECKED BY _____

cm326/det/015.dgn