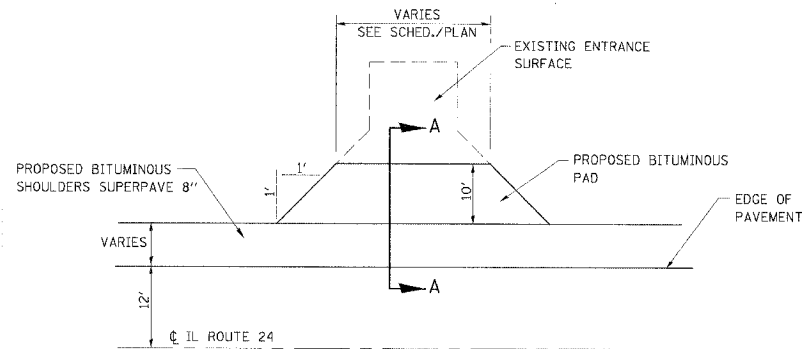
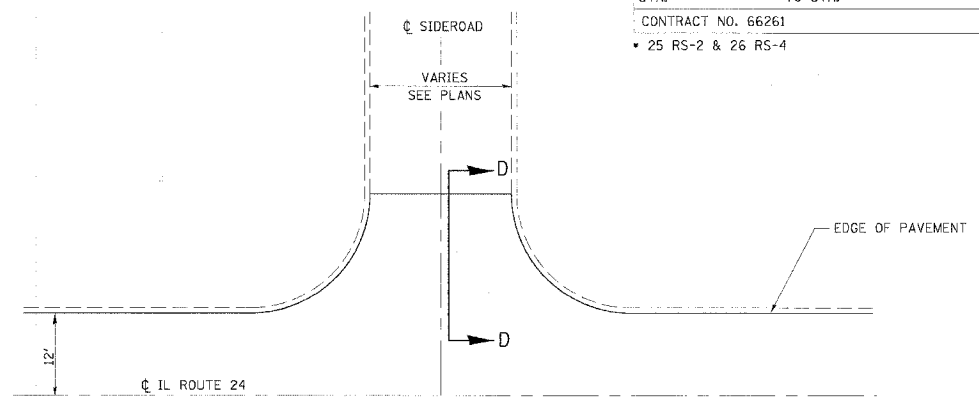


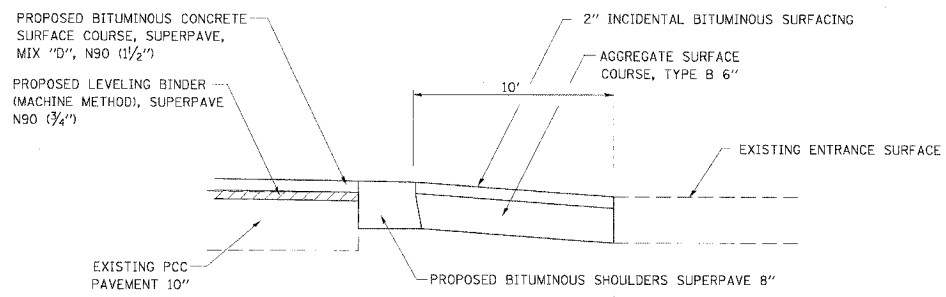
F.A.P. RTE.	SECTION	COUNTY	TOTAL SHEETS	SHEET NO.
317	*	LIVINGSTON	205	52
STA.		TO STA.		
CONTRACT NO. 66261				
• 25 RS-2 & 26 RS-4				



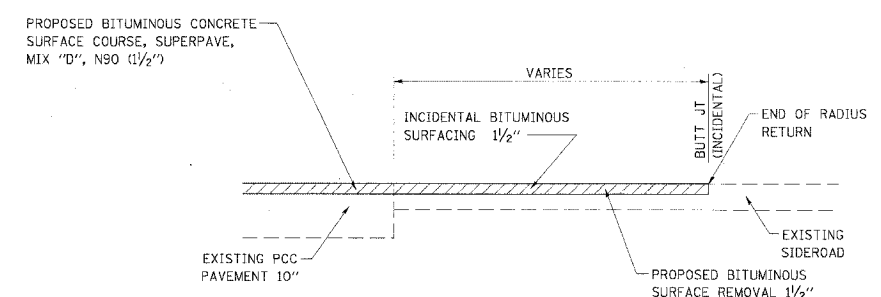
**RECONSTRUCTED TYPICAL COMMERCIAL OR PRIVATE ENTRANCE**  
(CONSTRUCT NEW SHOULDER)



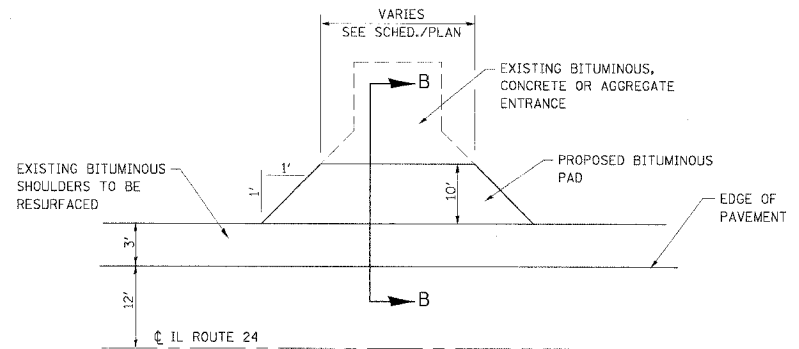
**TYPICAL SIDEWALK (URBAN)**



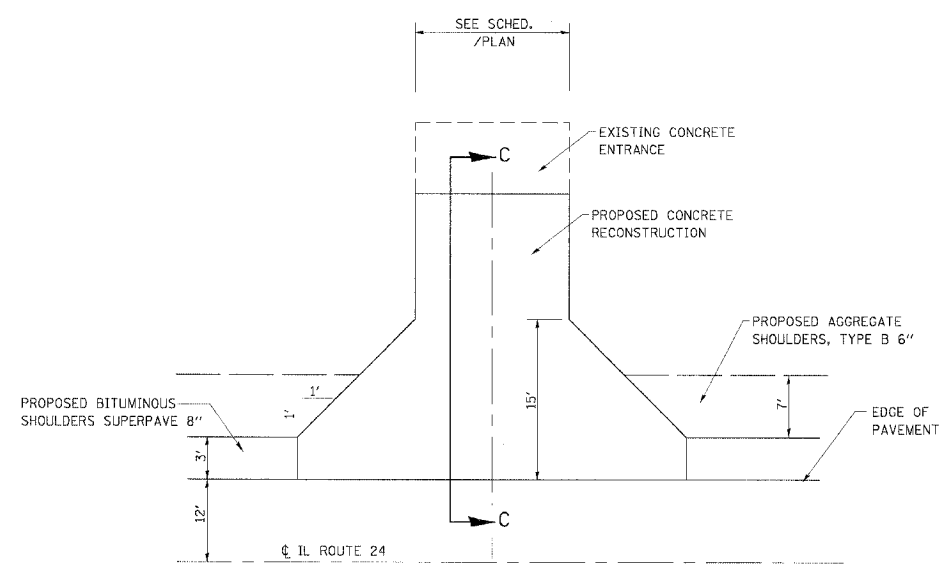
**SECTION A-A**



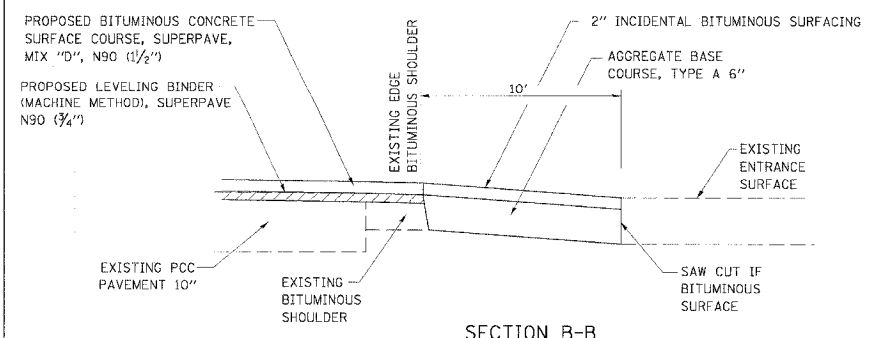
**SECTION D-D**



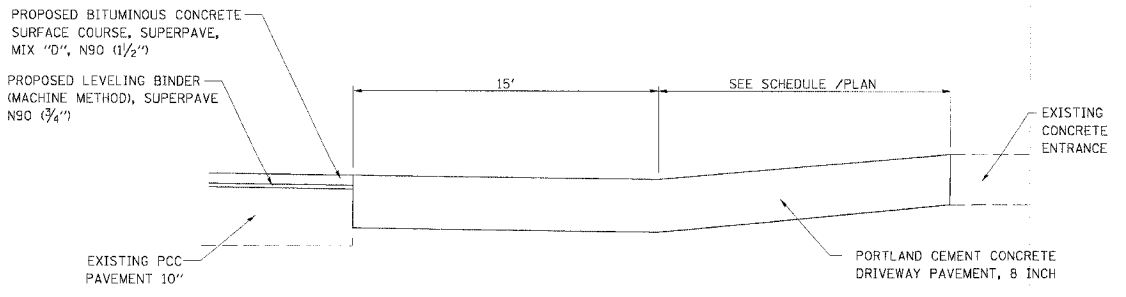
**RECONSTRUCTED TYPICAL PRIVATE & COMMERCIAL ENTRANCE**  
(RESURFACE EXISTING SHOULDER)



**TYPICAL ENTRANCE DETAIL**  
(PCC ENTRANCE RECONSTRUCTION)



**SECTION B-B**



**SECTION C-C**

REVISIONS	
NAME	DATE

ILLINOIS DEPARTMENT OF TRANSPORTATION  
**MISCELLANEOUS DETAILS**  
FAP 317 (US ROUTE 24)  
SECTION 25 RS-2 & 26 RS-4  
LIVINGSTON COUNTY  
SCALE: \_\_\_\_\_  
DATE \_\_\_\_\_  
DRAWN BY BANDY  
CHECKED BY STEUART