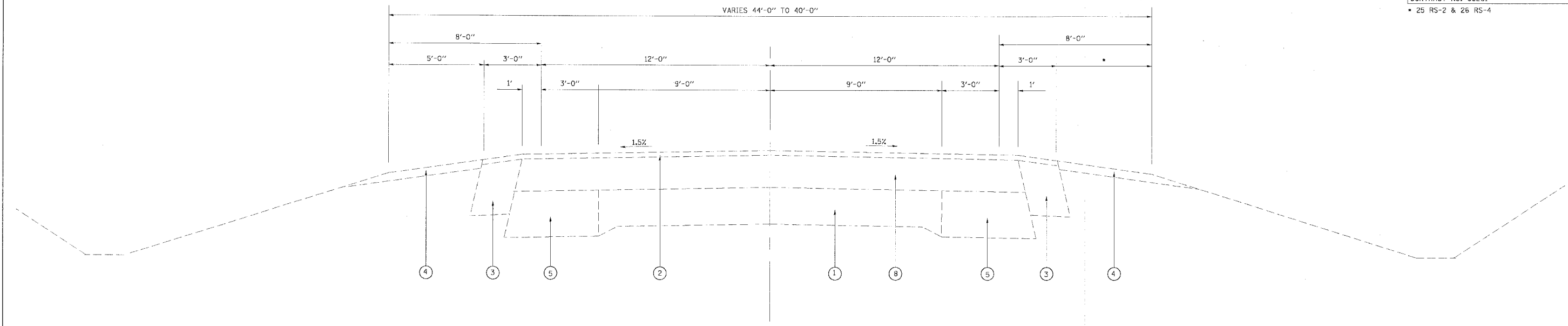


F.A.P. RTE.	SECTION	COUNTY	TOTAL SHEETS	SHEET NO.
317	*	LIVINGSTON	205	8
STA.		TO STA.		
CONTRACT NO. 66261				
• 25 RS-2 & 26 RS-4				

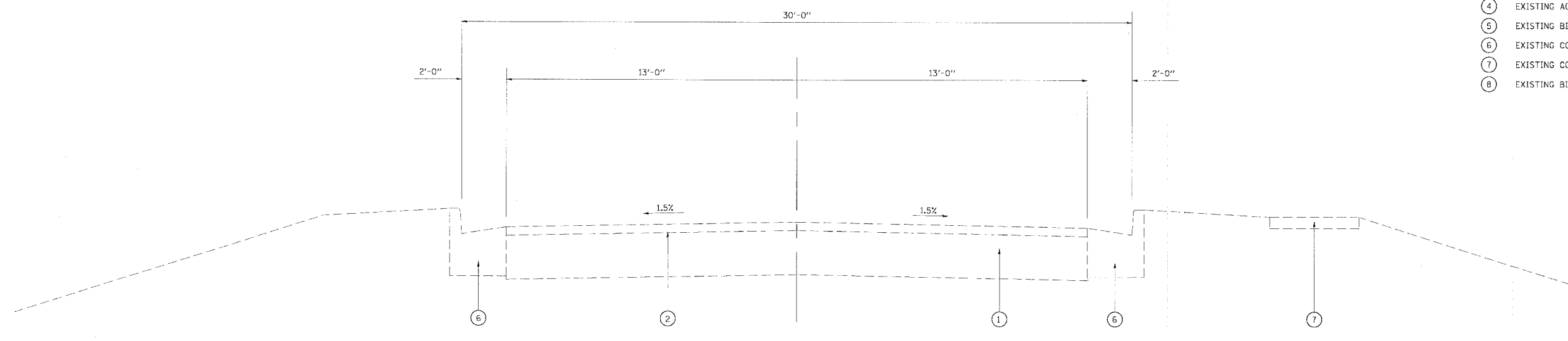


EXISTING TANGENT SECTION

STA 401+10.00 TO STA 469+69.77
 EXISTING TRIPLE BOX CULVERT
 STA 403+82.00 TO STA 404+18.00
 STATION EQUATION
 STA 432+36.32 BK = STA 434+99.92 AH

LEGEND

- ① EXISTING PCC PAVEMENT 10"
- ② EXISTING BITUMINOUS SURFACE, VARIABLE DEPTH
- ③ EXISTING BITUMINOUS SHOULDER
- ④ EXISTING AGGREGATE SHOULDER
- ⑤ EXISTING BITUMINOUS WIDENING
- ⑥ EXISTING CONCRETE CURB AND GUTTER, TYPE B-6.24
- ⑦ EXISTING CONCRETE SIDEWALK
- ⑧ EXISTING BINDER COURSE VARIABLE DEPTH



EXISTING CURB AND GUTTER SECTION

STA 469+69.77 STA 472+94.34
 STATION EQUATION
 STA 472+92.87 BK = STA 472+94.34 AH
 BRIDGE OMISSION STA 472+94.34 TO STA 474+79.72

REVISIONS	
NAME	DATE

ILLINOIS DEPARTMENT OF TRANSPORTATION
EXISTING TYPICAL SECTIONS
 FAP 317 (US ROUTE 24)
 SECTION 25 RS-2 & 26 RS-4
 LIVINGSTON COUNTY
 SCALE: _____ DRAWN BY: BANDY
 DATE: _____ CHECKED BY: STEUART