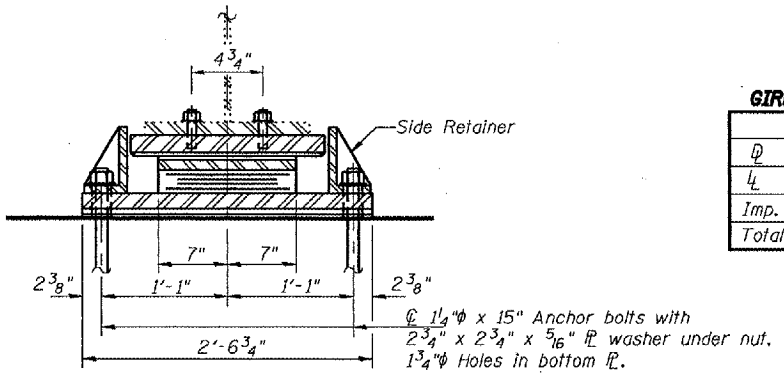
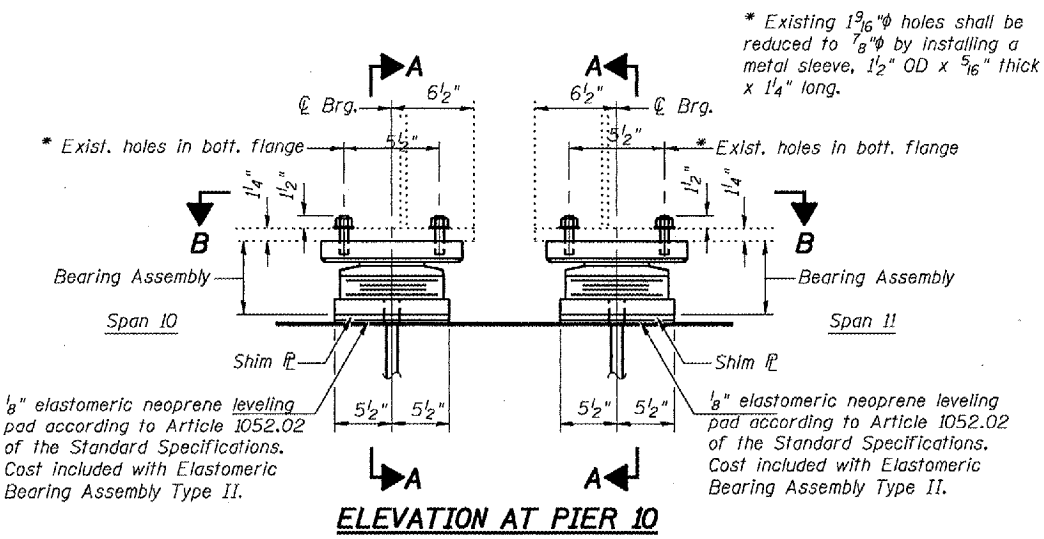


STATE OF ILLINOIS
DEPARTMENT OF TRANSPORTATION

ROUTE NO.	SECTION	COUNTY	TOTAL SHEETS	SHEET NO.
		Cook	17	7
FED. ROAD DIST. NO. 7		PLANING	FED. AID PROJECT	

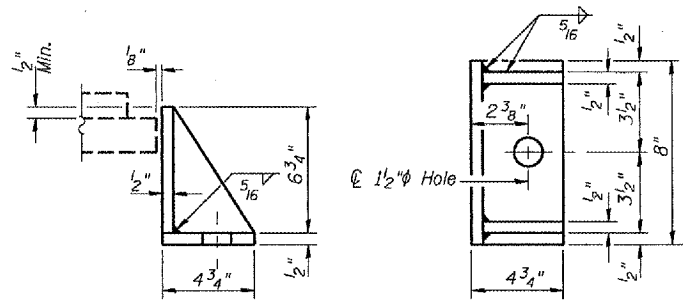
SHEET NO. 2
5 SHEETS

Contract Number: 62870



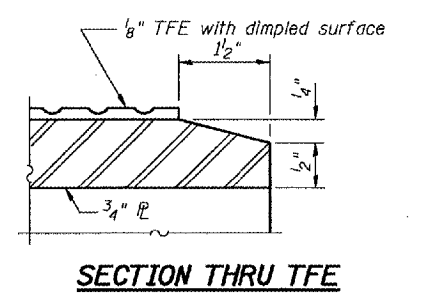
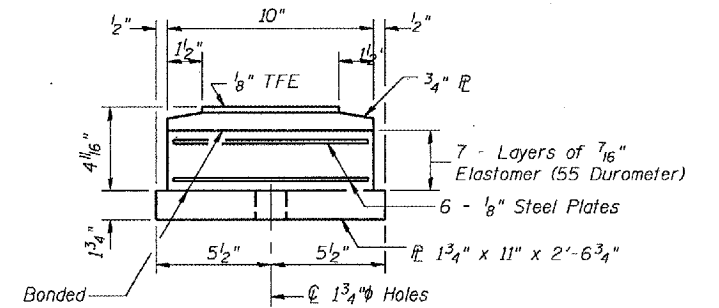
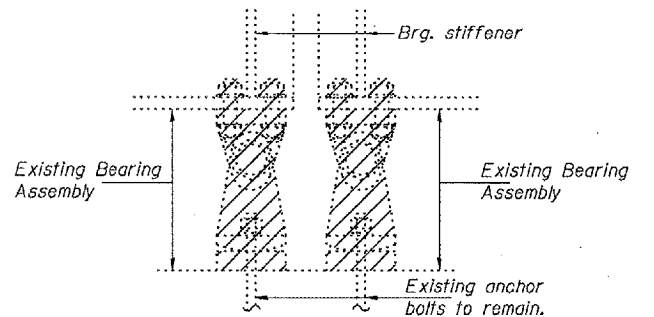
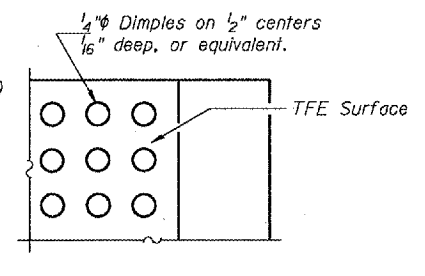
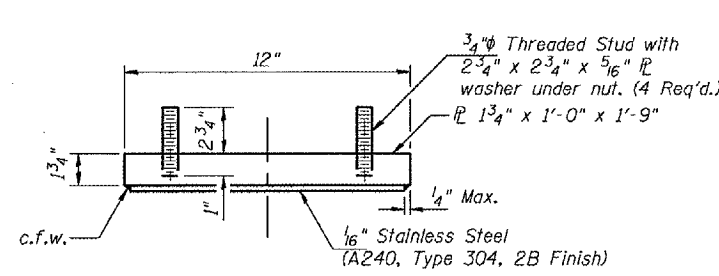
GIRDER REACTIONS AT PIER 10

	S. Brg.	N. Brg.
D (k)	49.3	49.7
L (k)	40.8	41.9
Imp. (k)	9.7	9.3
Total (k)	99.8	100.9

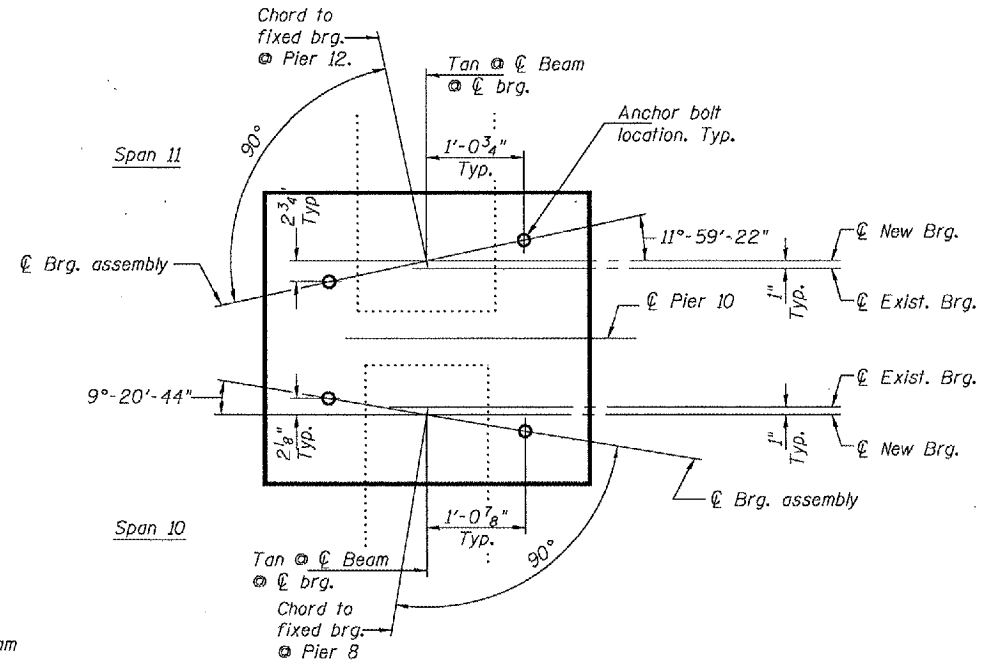


TYPE II ELASTOMERIC EXP. BRG.

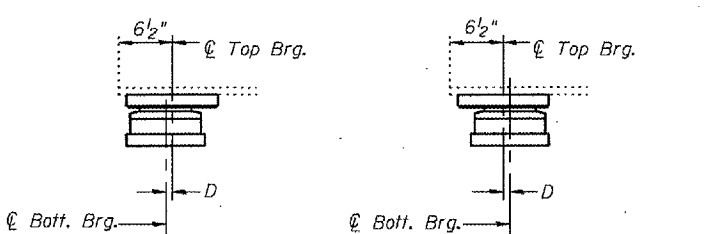
Notes:
New side retainers, shim plates, connection bolts and anchor bolts are included in Furnishing and Erecting Structural Steel.
See sheet 3 of 5 for anchor bolt installation.
Prior to ordering any material, the contractor shall verify, in the field, all bearing height and shim thickness dimensions
Min. jack capacity = 75 Tons.



Notes:
The $\frac{1}{8}$ " TFE sheet shall be bonded directly to the top steel plate with a two-component, medium viscosity epoxy resin, conforming to the requirements of the Federal Specification MMM-A-134, Type I. The bond agent shall be applied on the full area of the contact surfaces.
Bonding of $\frac{1}{8}$ " TFE sheet during vulcanizing process will be permitted provided the process and method of adjusting assembly height is approved by the Engineer.



SETTING ANCHOR BOLTS AT EXP. BRG.



BILL OF MATERIAL

Item	Unit	Total
Elastomeric Bearing Assembly Type II	Each	8
Jacking and Cribbing	LS	1
Furnishing and Erecting Structural Steel.	Lbs.	610

BEARING DETAILS
LOC 2: STONEY ISLAND CONNECTOR
TO FAI 94 RAMP Q STRUCTURE
COOK COUNTY
SN 016-2437

DESIGNED	JSB
CHECKED	ATH
DRAWN	baliva
CHECKED	JSB ATH

I-2-E2 9-1-03

MARCH 20, 2005
EXAMINED *John A. Morris*
ENGINEER OF STRUCTURAL SERVICES
PASSED *Ralph E. Anderson*
ENGINEER OF BRIDGES AND STRUCTURES

VIEW B-B