

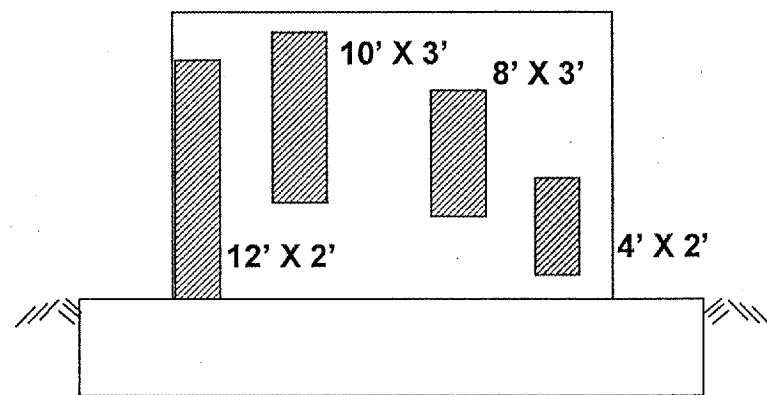
ROUTE	SECTION	COUNTY	TOTAL SHEETS	SHEET NUMBER
SN 016-2436	2004-114 BR	COOK	17	5

CONTRACT 62870

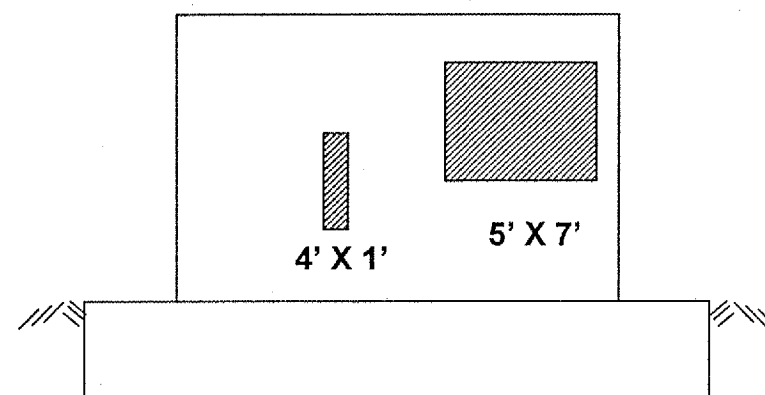
Total Bill of Material		
Item	Unit	Qty
Formed Concrete Repair ≤ 5"	SQ FT	207.0

General Note:

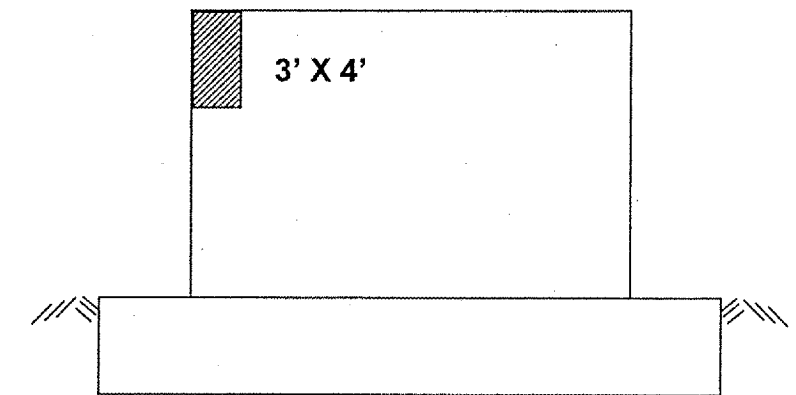
Plan dimensions and details relative to existing structure have been taken from existing plans and are subject to nominal construction variations. It shall be the Contractor's responsibility to verify such dimensions and details in the field and make necessary approved adjustments prior to construction or ordering of materials. Such variations shall not be cause for additional compensation for a change in the scope of the work, however, the Contractor will be paid for the quantity actually furnished at the unit price bid for the work.



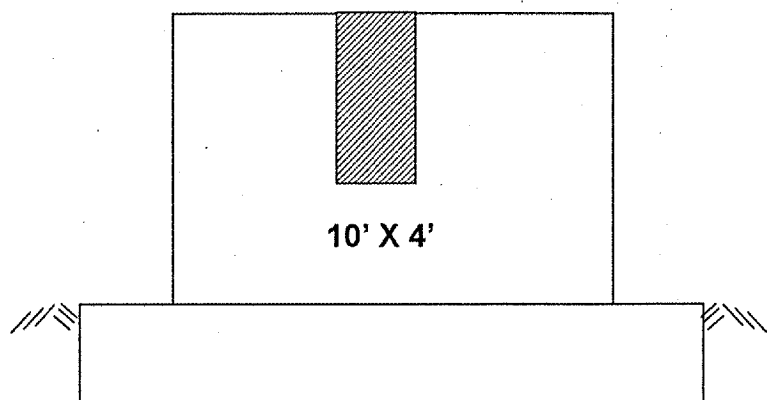
E. PIER 1  
E. FACE



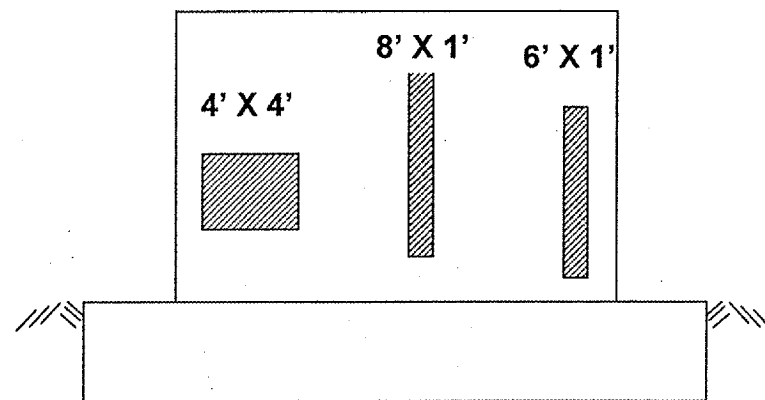
E. PIER 1  
W. FACE



WEST ABUTMENT



W. PIER 2  
E. FACE



W. PIER 2  
W. FACE

 Formed Concrete Repair ≤ 5" = 207 SQ FT

ILLINOIS DEPARTMENT OF TRANSPORTATION  
BRIDGE REPAIR  
LOCATION 1: 100<sup>TH</sup> ST. RAMP OFF RAMP  
OVER I 94  
SN 016-2436