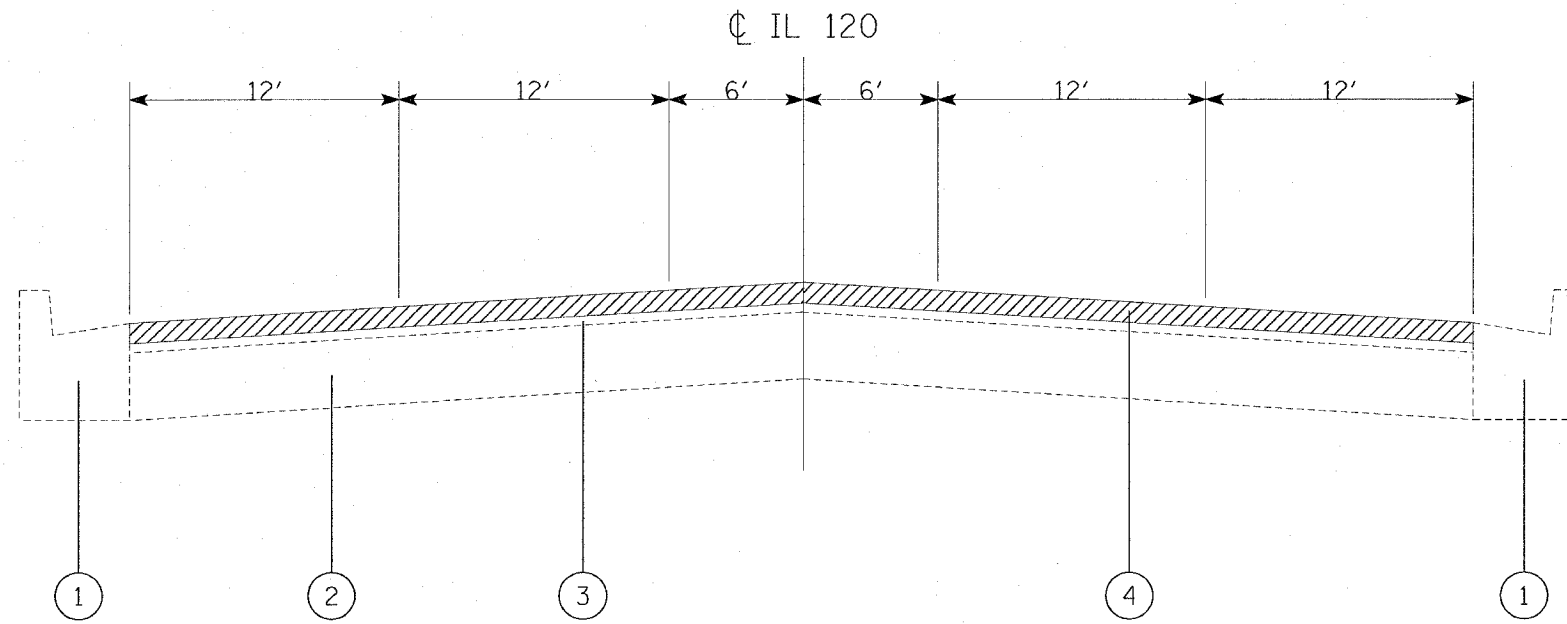
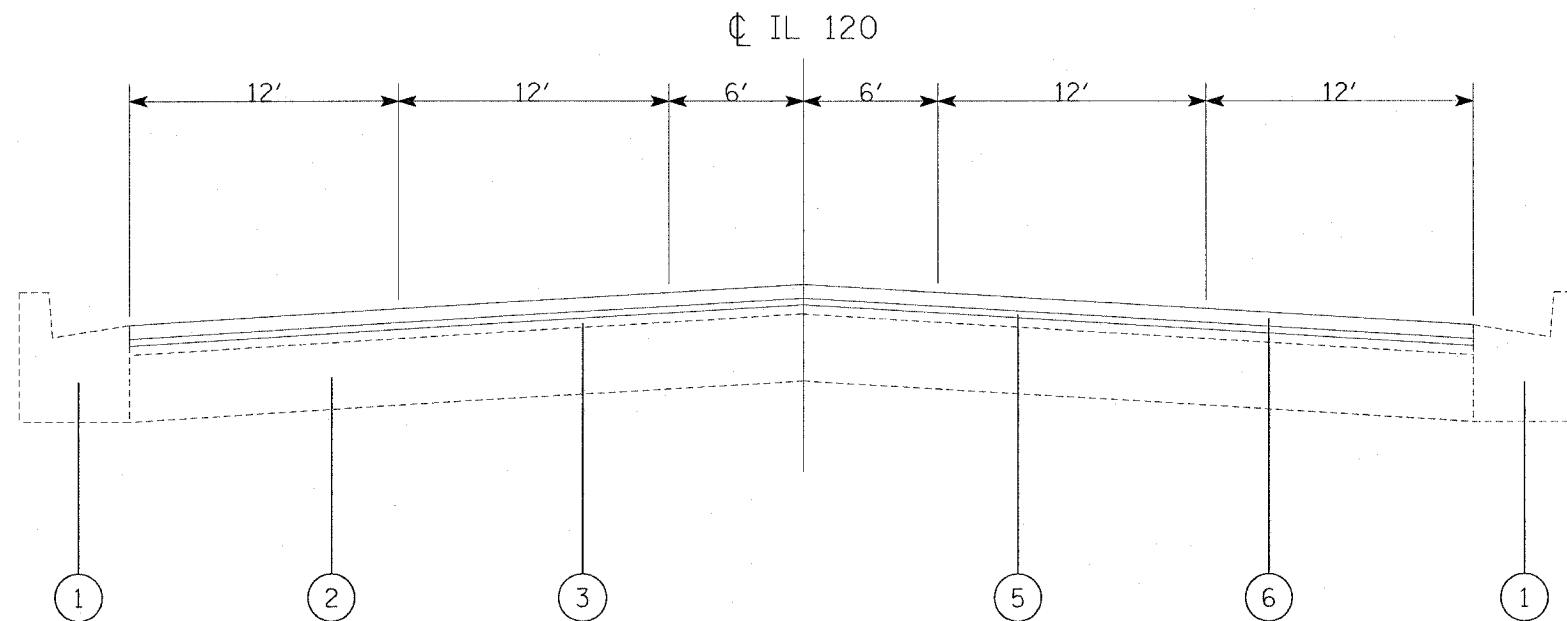


F.A.P. RTE.	SECTION	COUNTY	TOTAL SHEETS	SHEET NO.
333/336	2004-110RS	MCHENRY	18	7
STA. 2+75		TO STA. 16+62		
FED. ROAD DIST. NO. 1		ILLINOIS FED. AID PROJECT		



EXISTING TYPICAL CROSS SECTION  
IL 120 @ RIVER ROAD  
STA. 22+95 TO 26+47

- ① EXISTING CURB AND GUTTER, TYPE B-6.24
- ② EXISTING CONCRETE PAVEMENT, 10"
- ③ EXISTING BITUMINOUS SURFACE, 3"
- ④ PROPOSED BITUMINOUS CONCRETE SURFACE REMOVAL, 2 1/4"
- ⑤ PROPOSED POLYMERIZED LEVELING BINDER (MACHINE METHOD), SUPERPAVE, IL-4.75, N50, 3/4"
- ⑥ PROPOSED BITUMINOUS CONCRETE SURFACE COURSE, SUPERPAVE, MIX "D", N70 1 1/2"



PROPOSED TYPICAL CROSS SECTION  
IL 120 @ RIVER ROAD  
STA. 22+95 TO 26+47

REVISIONS		ILLINOIS DEPARTMENT OF TRANSPORTATION
NAME	DATE	
		LOCATION 2, IL 120 TYPICAL SECTIONS
SCALE:	VERT. DATE	DRAWN BY CHECKED BY

PLOT DATE = 2/16/2005  
FILE NAME = 62855.DWG  
REFERENCE = 62855