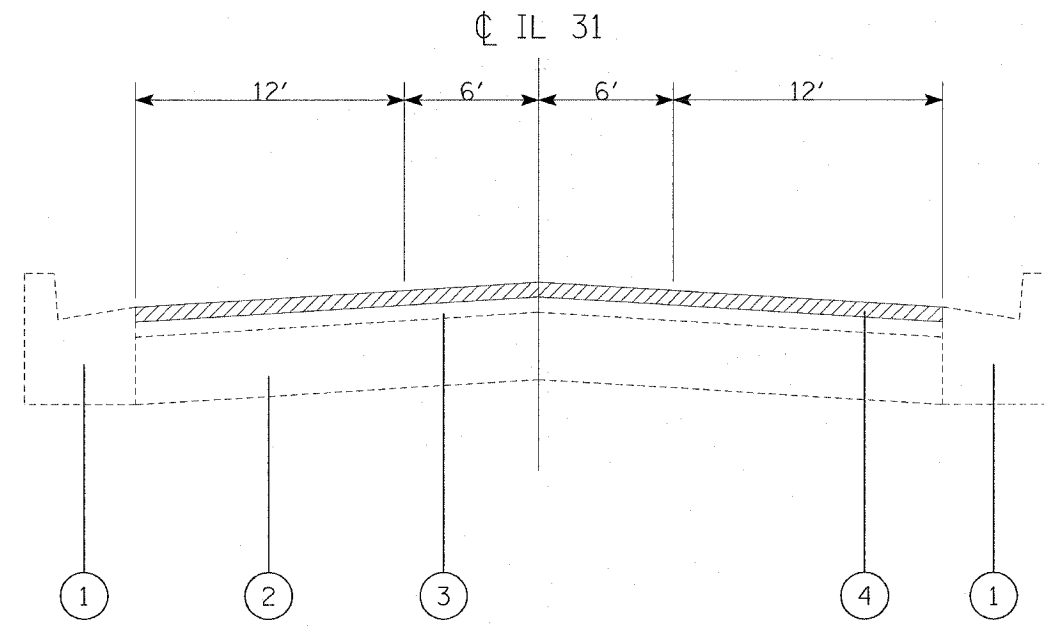
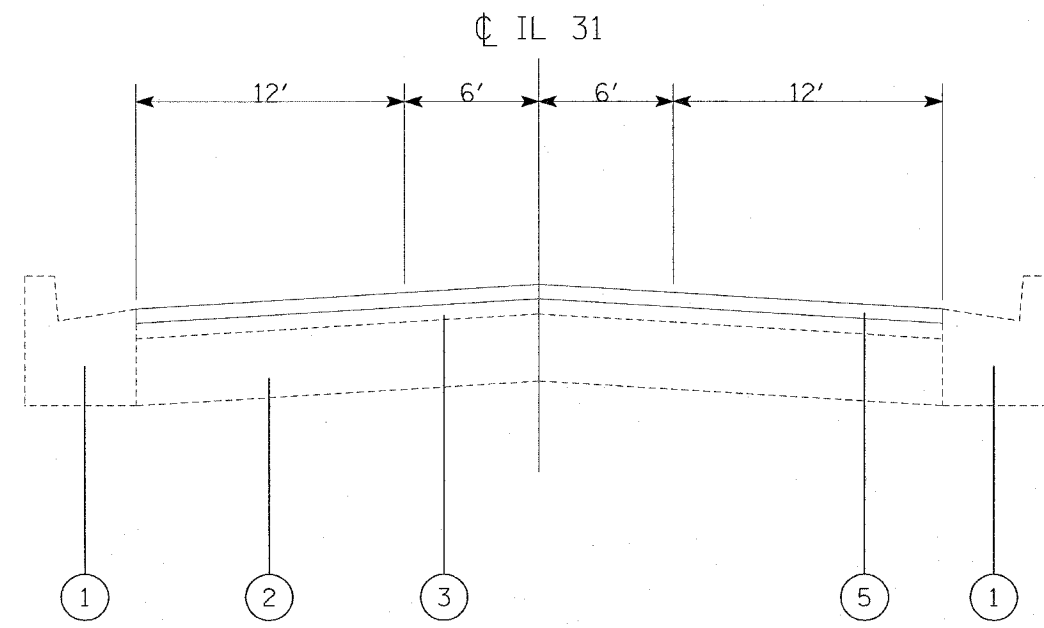


F.A.P. RTE.	SECTION	COUNTY	TOTAL SHEETS	SHEET NO.
333/336	2004-110RS	MCHENRY	18	6
STA. 2+75		TO STA. 16+62		
FED. ROAD DIST. NO. 1		ILLINOIS FED. AID PROJECT		



EXISTING TYPICAL CROSS SECTION  
IL 31 (RICHMOND ROAD)  
STA. 7+18 TO 16+62

- ① EXISTING CURB AND GUTTER, TYPE B-6.12 & B-6.24
- ② EXISTING CONCRETE PAVEMENT, 10"
- ③ EXISTING BITUMINOUS SURFACE, 3"
- ④ PROPOSED BITUMINOUS CONCRETE SURFACE REMOVAL, 1 1/2"
- ⑤ PROPOSED BITUMINOUS CONCRETE SURFACE COURSE, SUPERPAVE, MIX "D", N70, 1 1/2"



PROPOSED TYPICAL CROSS SECTION  
IL 31 (RICHMOND ROAD)  
STA. 7+18 TO 16+62

REVISIONS		ILLINOIS DEPARTMENT OF TRANSPORTATION
NAME	DATE	
		LOCATION 1, IL 31 TYPICAL SECTIONS

SCALE: VERT. \_\_\_\_\_  
HORIZ. \_\_\_\_\_  
DATE \_\_\_\_\_

DRAWN BY \_\_\_\_\_  
CHECKED BY \_\_\_\_\_