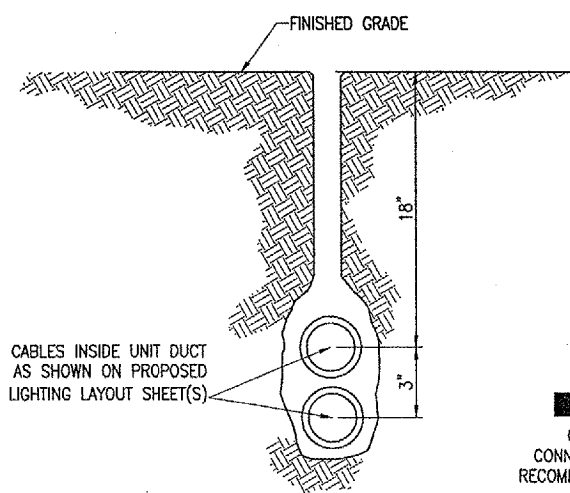


NOTES:
DETAIL NUMBERS INDICATE NO. OF CABLES.

TRENCHES WITH MORE THAN SEVEN CABLES SHALL BE INCREASED 3" IN WIDTH FOR EACH ADDITIONAL CABLE; IF SPECIFIED ON PLANS TWO PARALLEL TRENCHES MAY BE CONSTRUCTED.

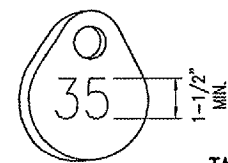
DEPTH OF TRENCHES SHALL BE AS SHOWN ABOVE UNLESS OTHERWISE SPECIFIED ON THE PLANS.

ALL DISTURBED SURFACES SHALL BE RESTORED TO THEIR ORIGINAL CONDITION. COST IS INCIDENTAL TO TRENCH.



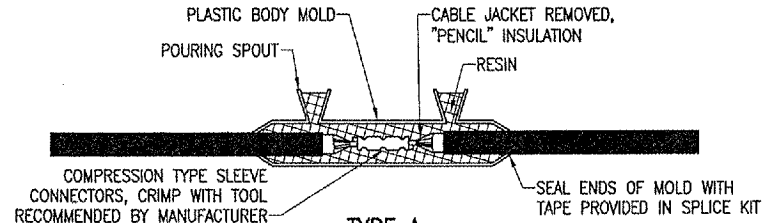
CABLES INSIDE UNIT DUCT AS SHOWN ON PROPOSED LIGHTING LAYOUT SHEET(S)

PLOWED CABLE
(NOT TO SCALE)



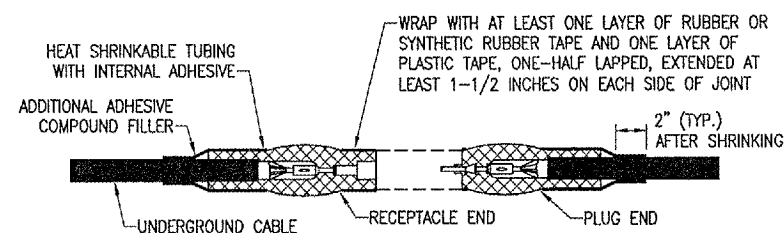
TAG DETAIL
(NOT TO SCALE)

NOTE:
AFFIX NON-CORROSIVE TAG TO FIXTURE FACING RUNWAY WITH SET SCREW, WIRE TIE, OR METAL BAND. NUMERALS SHALL BE ENGRAVED FOR PERMANENT READABILITY.



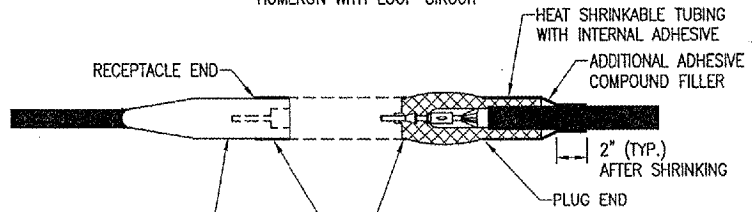
TYPE A

FOR SPLICES IN HOMERUNS FOR EXTENSIONS TO EXISTING CABLES ONLY



TYPE B

FOR SPLICES AT JUNCTION OF HOMERUN WITH LOOP CIRCUIT



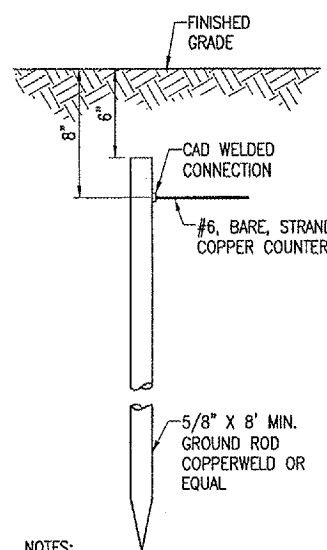
TYPE C

FOR SPLICES AT RUNWAY LIGHTS

NOTES:
SEE PROPOSED LIGHTING LAYOUT SHEET(S) FOR SPLICE TYPE.

INSIDE DIAMETER OF CONNECTOR SHALL PROPERLY MATCH THE OUTSIDE DIAMETER OF CABLE.

CABLE SPLICES
(NOT TO SCALE)



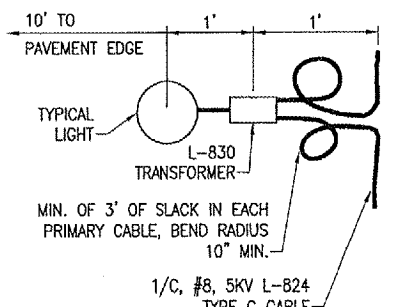
NOTES:
TYPE AND MINIMUM NUMBER OF GROUND RODS SHALL BE AS SPECIFIED ON THE PLAN.

THE RESISTANCE TO GROUND OF THE COUNTERPOISE GROUNDING SYSTEM SHALL NOT EXCEED 25 OHMS.

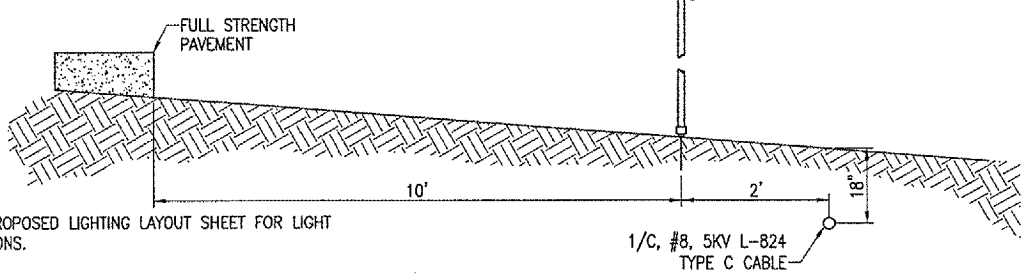
COST OF GROUND RODS IS INCIDENTAL TO THE ASSOCIATED ITEMS REQUIRING GROUNDING UNLESS OTHERWISE SPECIFIED.

GROUND ROD
(NOT TO SCALE)

CABLE TRENCHES
(NOT TO SCALE)

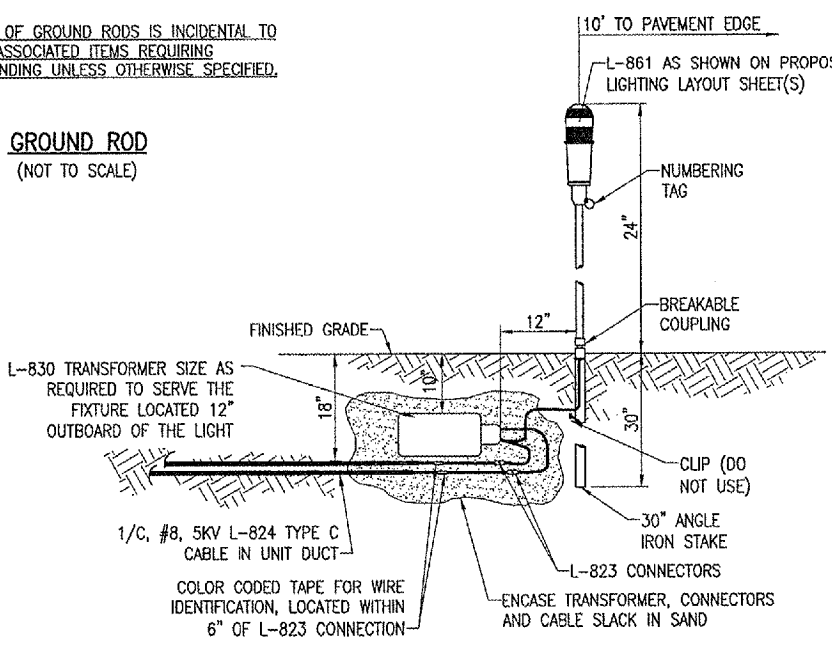


PLAN VIEW

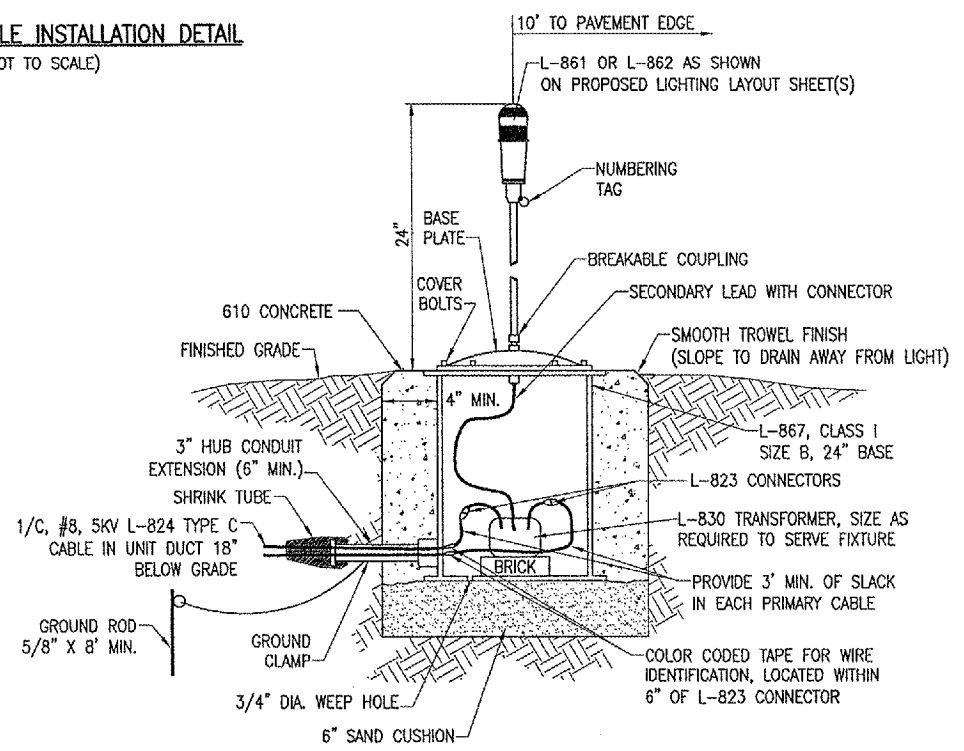


PROFILE VIEW

LIGHT AND CABLE INSTALLATION DETAIL
(NOT TO SCALE)



MEDIUM INTENSITY LIGHT - STAKE MOUNTED
(NOT TO SCALE)



MEDIUM/HIGH INTENSITY LIGHT - BASE MOUNTED
(NOT TO SCALE)

| DATE | REVISION | BY |
|------|----------|----|
| | | |
| | | |
| | | |

TRI-TOWNSHIP AIRPORT
SAVANNA, CARROLL COUNTY
ILLINOIS

| | |
|---------------------------------|-----------------|
| ILL. Project No. 826-06RWD_0800 | |
| Drawn: R-542ELE.DWG | |
| Scale: NOT TO SCALE | |
| Date: 10/24/05 | |
| LAYOUT | B.A.K. 10/24/05 |
| DRAWN | B.A.K. 10/24/05 |
| REVIEWED | C.A.H. 01/12/06 |

HANSON
Hanson Professional Services Inc.
1325 South Sixth Street
Springfield, IL 62761
Offices Nationwide

PROPOSED WIDENING
OF RUNWAY 13/31

ELECTRICAL DETAILS

MAR 29 2006 11:09 AM CAH I:\AIRPORTS\SAVANNA\826-06RWD\AIRPORT\SHETS\R-542ELE.DWG - ELEC. DETAILS