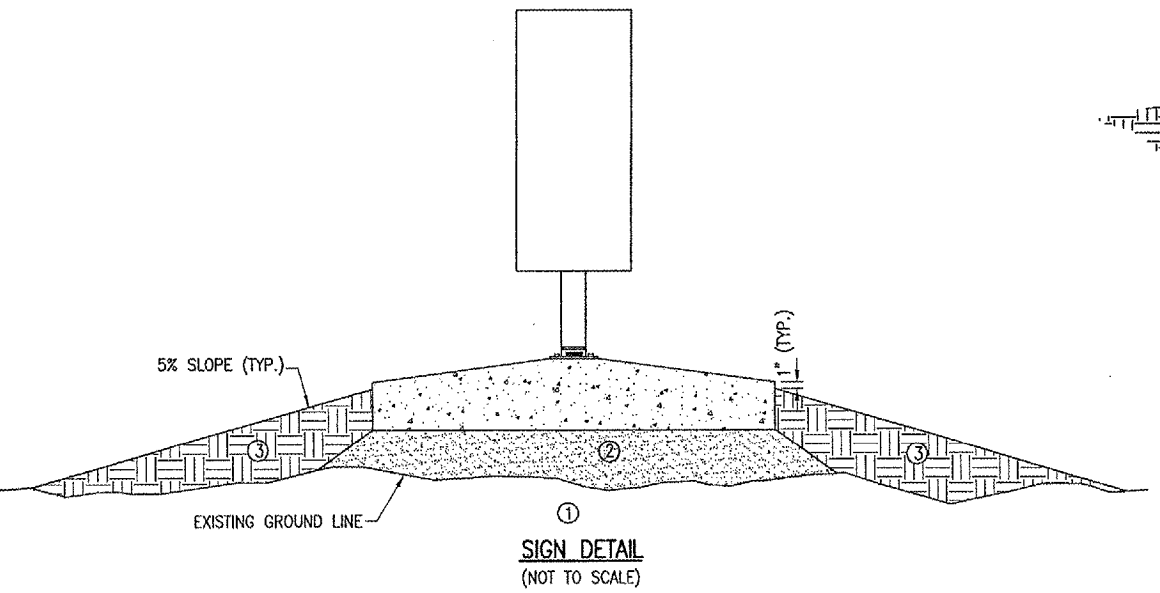
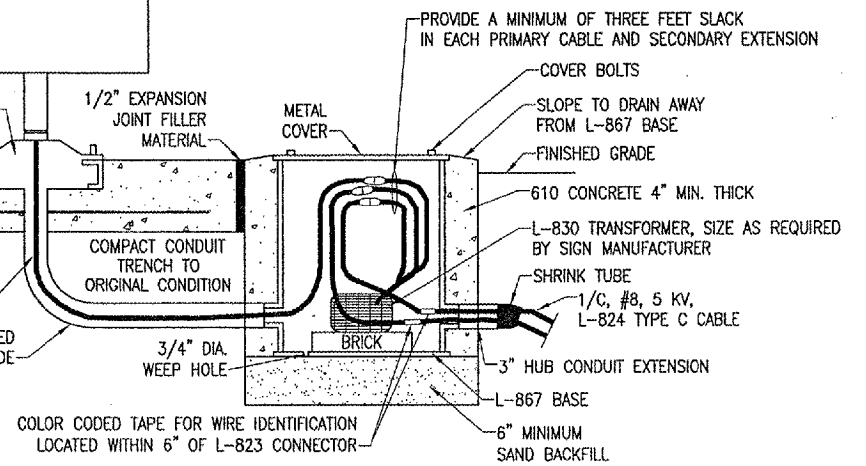
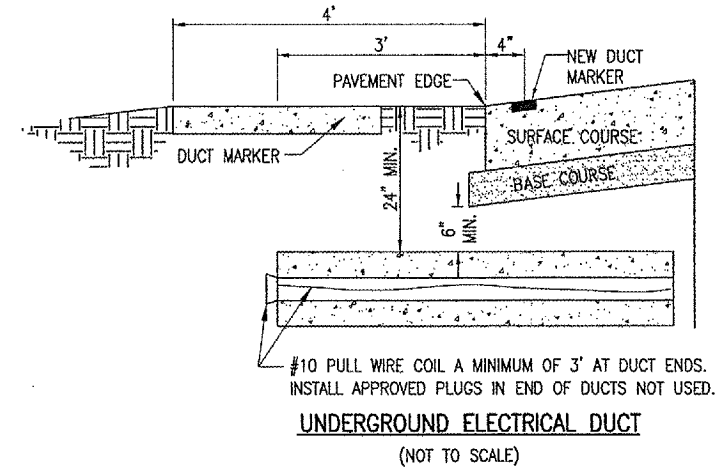
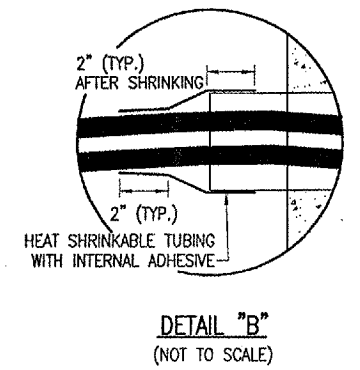
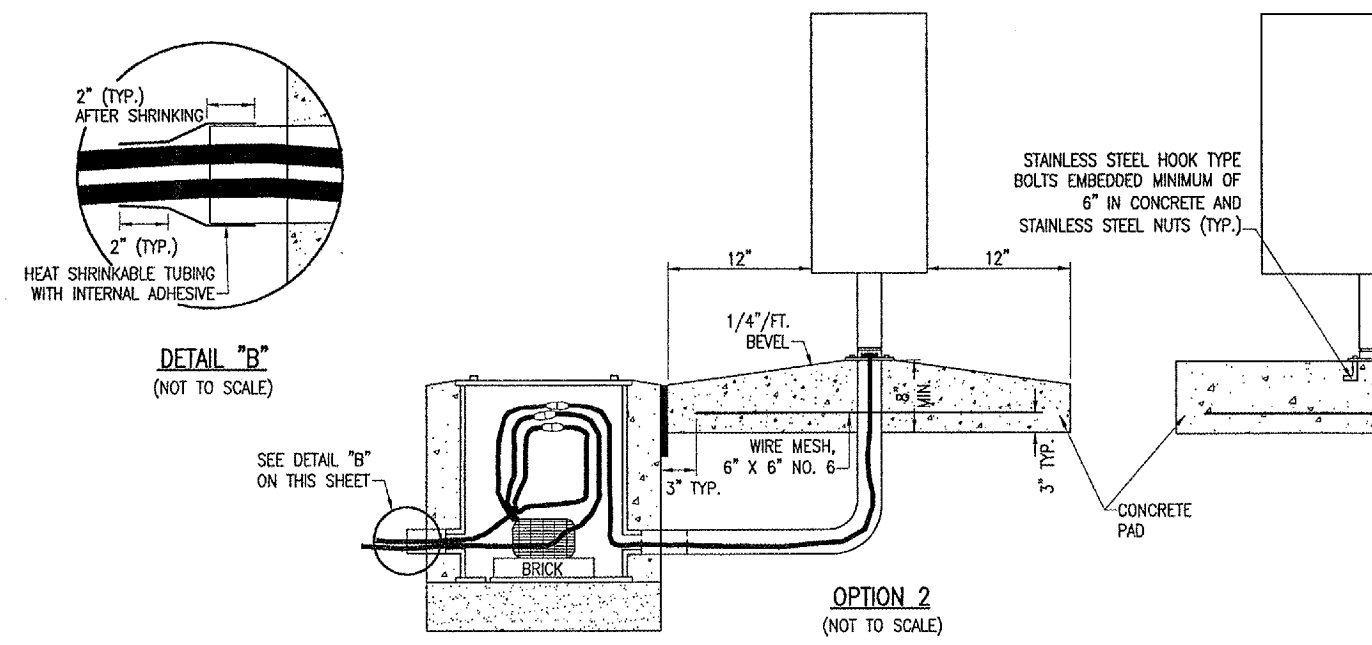


THE LOCATION OF UNDERGROUND UTILITIES AS INDICATED ON THE PLANS HAS BEEN OBTAINED FROM EXISTING RECORDS. NEITHER THE OWNER NOR THE ENGINEER ASSUMES ANY RESPONSIBILITY WHATSOEVER, IN RESPECT TO THE ACCURACY OR SUFFICIENCY OF THE INFORMATION AND THERE IS NO GUARANTEE, EITHER EXPRESSED OR IMPLIED, THAT THE CONDITIONS ARE REPRESENTATIVE OF THOSE TO BE ENCOUNTERED IN THE CONSTRUCTION.

NOTES:
SEE LIGHTING LAYOUT SHEET(S) FOR SIGN LEGEND, LOCATION, TYPE, SIZE, STYLE, AND CLASS.
NUMBER AND SPACING OF LEGS AS PER MANUFACTURER'S REQUIREMENTS.

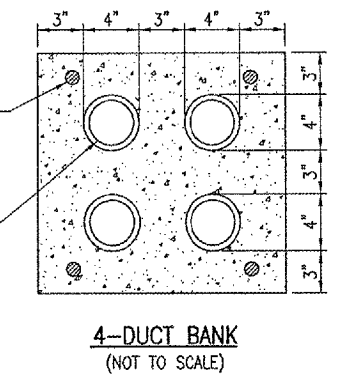
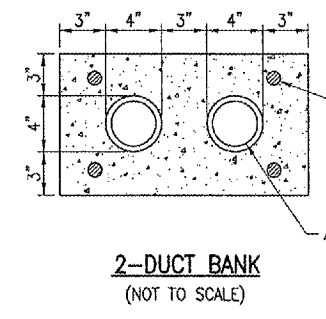
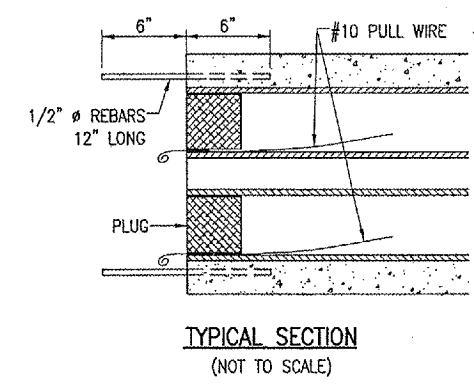
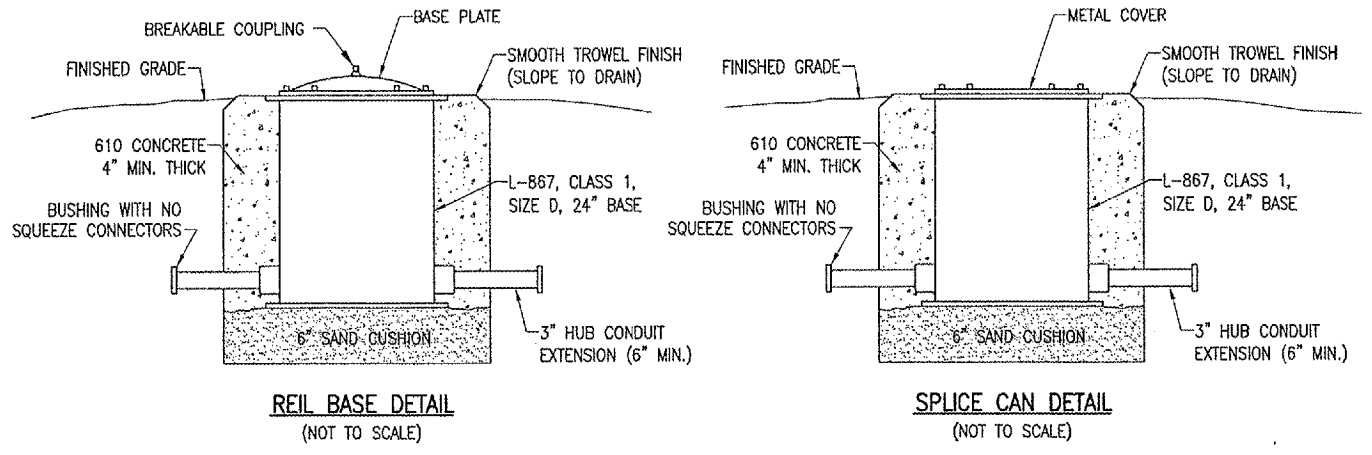
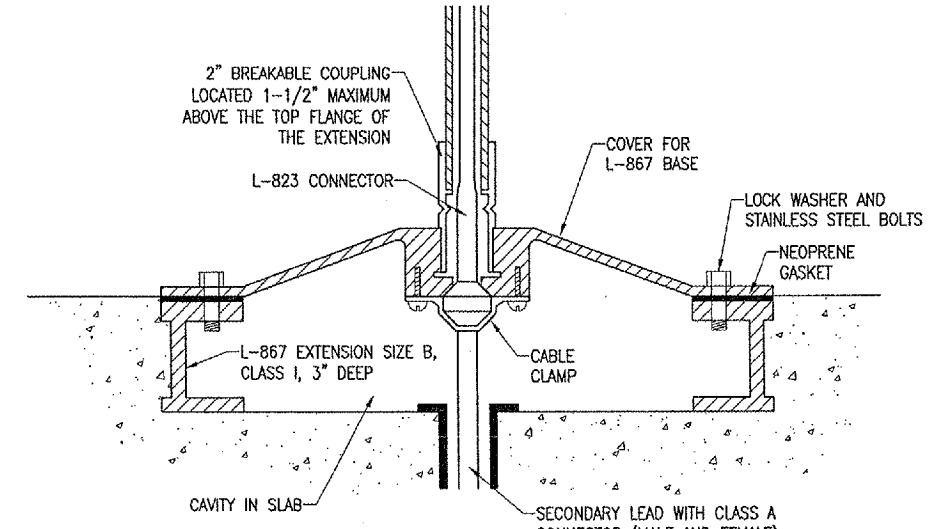


- ① EXISTING SOD TO BE STRIPPED AND REMOVED
- ② SAND BACKFILL, VARIABLE DEPTH
- ③ PROPOSED TOPSOIL BACKFILL MATERIAL

GENERAL NOTES

SEE LIGHTING LAYOUT SHEET FOR SIGN LEGEND, LOCATION, TYPE, SIZE, STYLE, AND CLASS.

SEE SHEETS 19 THROUGH 20 FOR ELECTRICAL NOTES.



DATE	REVISION

TRI-TOWNSHIP AIRPORT
SAVANNA, CARROLL COUNTY
ILLINOIS

A.I.P. PROJ.: 3-17-0091-B12
IL PROJ.: SPY-3538

IEE Project No.	826-08RWYD-0800
Drawn	R-541ELE.DWG
Scale	NOT TO SCALE
Date	10/24/05
LAYOUT	B.A.K. 10/24/05
DRAWN	B.A.K. 10/24/05
REVIEWED	C.A.H. 01/12/06

HANSON

Hanson Professional Services Inc.
1626 South Sixth Street
Springfield, Illinois 62702-2886
Chicago Nationwide

PROPOSED WIDENING
OF RUNWAY 13/31

ELECTRICAL DETAILS