

**EROSION CONTROL NOTES**

ALL PROPOSED EROSION CONTROL MEASURES SHALL BE COMPLETED AS DETAILED ON THIS EROSION CONTROL PLAN AND IN ACCORDANCE WITH THE SPECIFICATIONS.

EROSION CONTROL MEASURES ARE GOVERNED BY THE ILLINOIS ENVIRONMENTAL PROTECTION AGENCY'S STANDARDS AND SPECIFICATIONS FOR SOIL EROSIONS AND SPECIFICATION FOR SOIL EROSIONS AND SEDIMENT CONTROL.

EROSION CONTROL FENCE SHALL BE REMOVED WHEN THEY HAVE SERVED THEIR USEFULNESS SO AS NOT TO BLOCK OR IMPEDE STORM WATER DRAINAGE.

COST OF REMOVAL AND REPLACEMENT SHALL BE INCLUDED IN THE UNIT PRICE FOR ITEM AR156510 SILT FENCE.

DATE	REVISION	BY

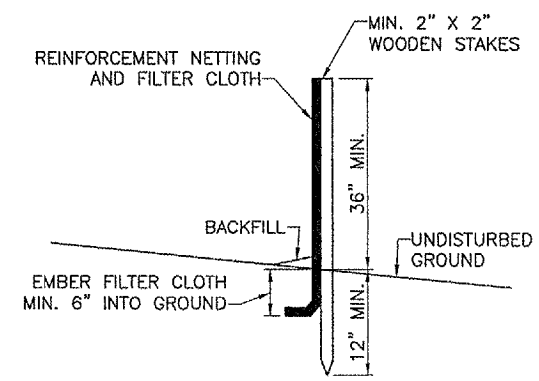
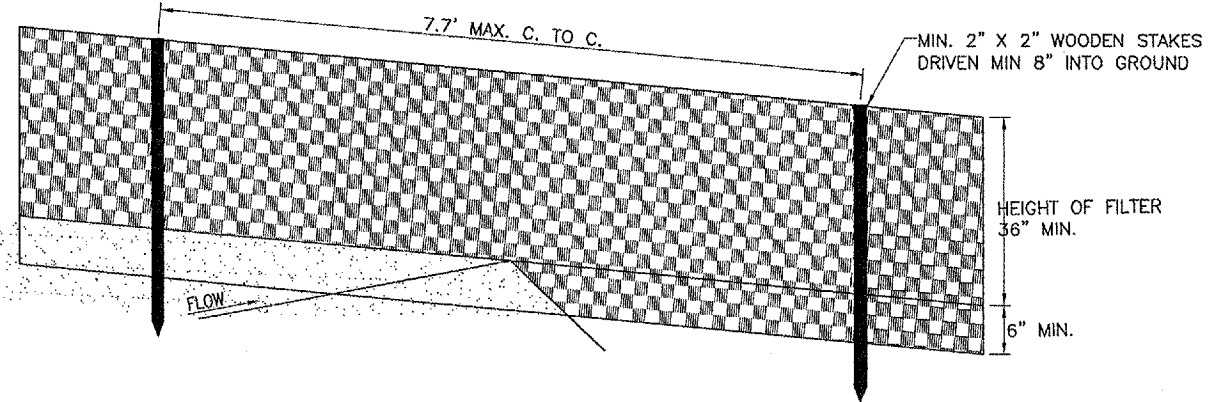
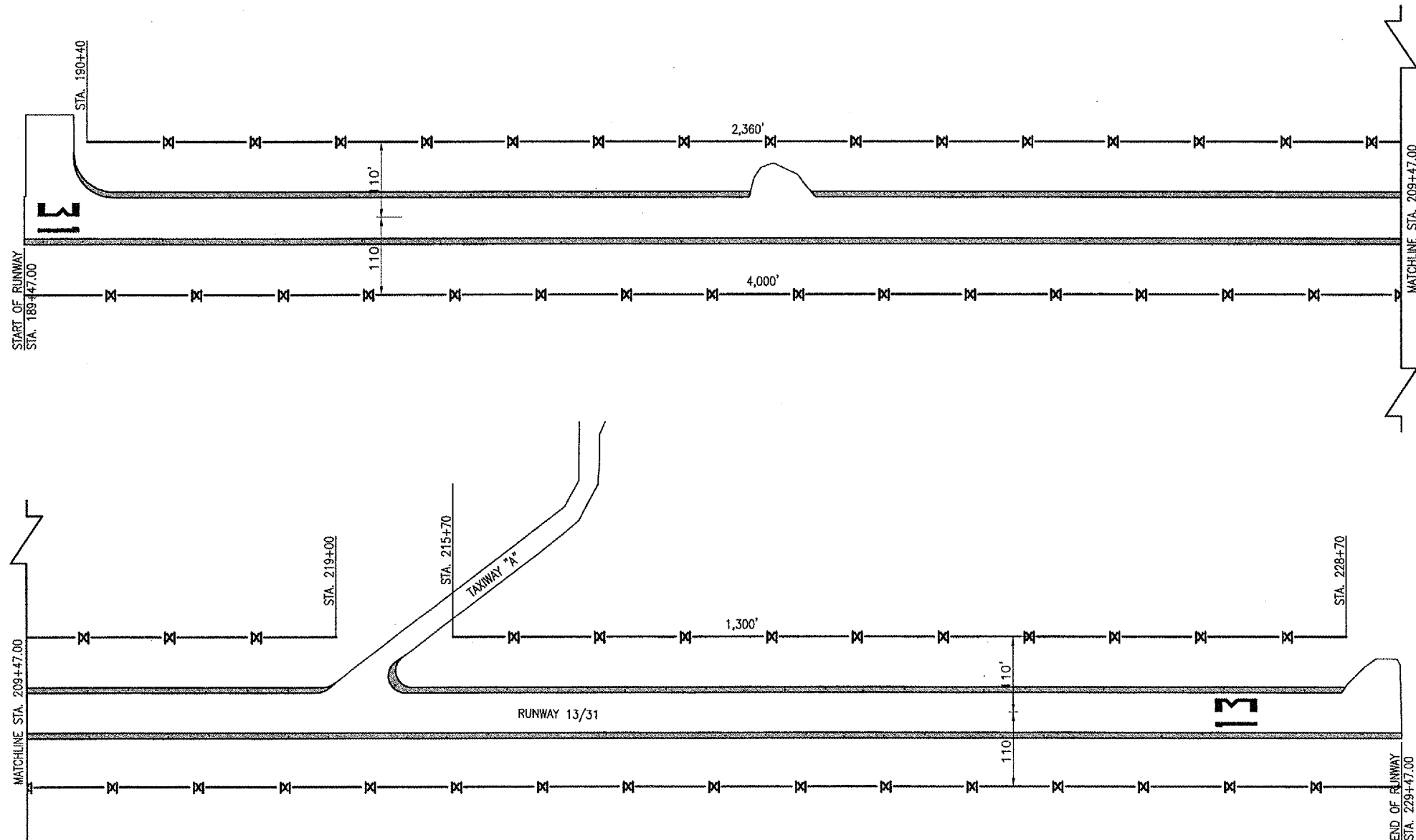
TRI-TOWNSHIP AIRPORT  
SAVANNA, CARROLL COUNTY  
ILLINOIS

Proj. No. 826-06RWYD-0800	
Drawn R-181SWP.DWG	
Scale	
Date 11/03/05	
LAYOUT	B.A.K. 11/03/05
DRAWN	B.A.K. 11/03/05
REVIEWED	C.A.H. 01/12/06



Hanson Professional Services Inc.  
1524 South Sixth Street  
Springfield, Illinois 62703-2886  
Offices Nationwide

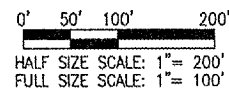
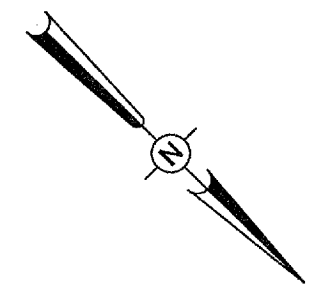
PROPOSED WIDENING  
OF RUNWAY 13/31  
PROPOSED STORMWATER  
POLLUTION PREVENTION  
PLAN



**FILTER FENCE DETAIL**  
"NOT TO SCALE"

**LEGEND**

	EXISTING PAVEMENT
	PROPOSED PAVEMENT WIDENING
	PROPOSED SILT FENCE



MAR 29, 2006 10:51 AM CAH  
I:\AIRPORTS\SAVANNA\826-06RWY\AIRPORT SHEETS\R-181SWP.DWG - EROSION