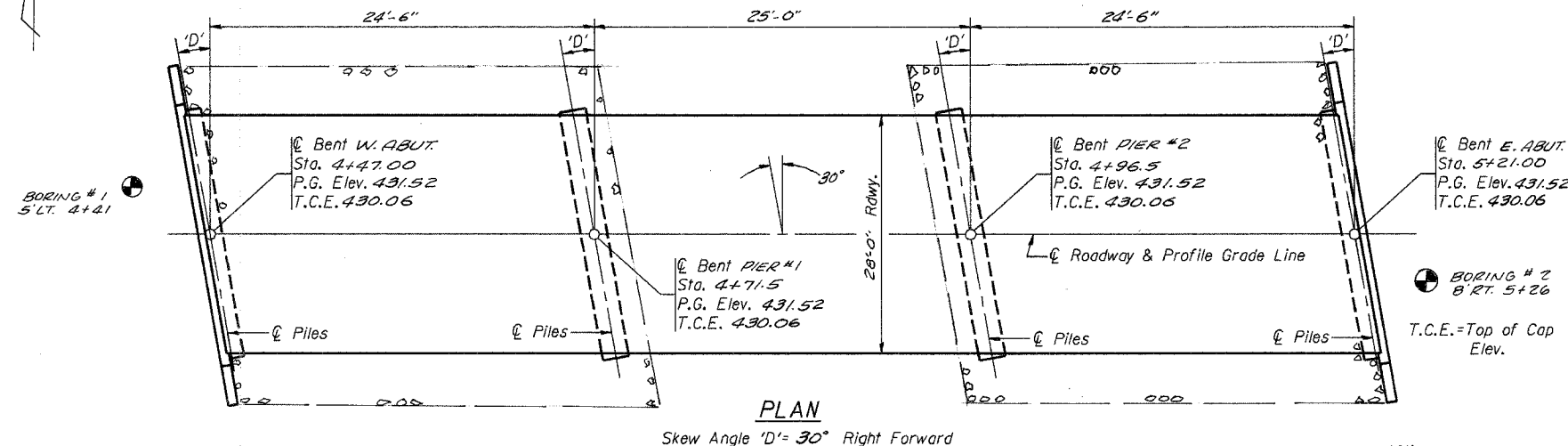
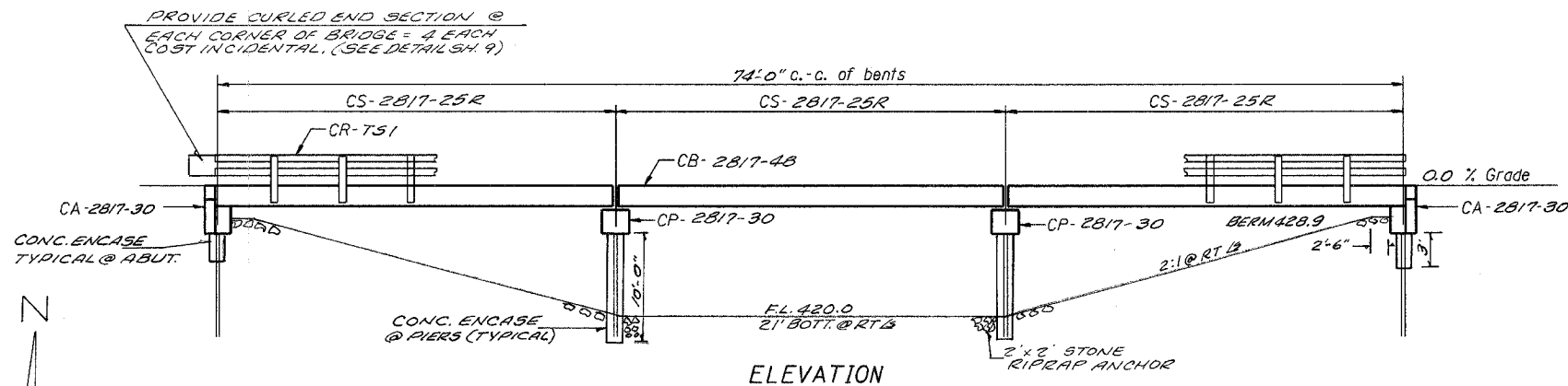


ROUTE NO.	SECTION	COUNTY	SHEET NO.	TOTAL SHEETS
		LAWRENCE	11	4
FED. ROAD DIST. NO. 7		ILLINOIS	FED. AID PROJECT	
SEC. 05-05122-00-BR				

-B.M.-
Existing Structure
Salvage



GENERAL NOTES

1. The Contractor shall drive 2 test piles, as specified, in a permanent location as directed by the Engineer before ordering the remaining piles.
2. See Special Provisions for boring logs.
3. A Corrosion Inhibitor, as covered in the Special Provisions, shall be used in the concrete for precast prestressed concrete deck beams.

TOTAL BILL OF MATERIAL

Item	Unit	Super	Sub.		Total
			Piers	Abuts.	
Removal of Existing Structures	Each				1
Bituminous Concrete Surface Course Superpave	Ton				
Waterproofing Membrane System	Sq. Yd.				
Concrete Structures	Cu. Yd.		20.0	22.2	42.2
Precast Prestressed Concrete Deck Beams (17" Depth)	Sq. Ft.	2100			2100
Steel Bridge Rail, Type SM	Foot				
Steel Railing, Type S-1	Foot	150			150
Reinforcement Bars	Pound		2060	2880	4940
Furnishing STEEL PILES HP10X42	Foot		558	558	1116
Driving STEEL PILES	Foot		558	558	1116
Test Piles STEEL HP10X42	Each		1	1	2
Name Plates	Each			1	1
Concrete Encasement	Cu. Yd.		8.6	2.6	11.2
Portland Cement Mortar Fairing Course	Foot				
STONE DUMPED RIPRAP CLA-4	TON			110	110

DESIGN SPECIFICATIONS

2002 AASHTO Standard Specifications - 17th ed.

LOADING HS20-44

Allow 25#/sq. ft. for future wearing surface.

SEISMIC DATA

Seismic Performance Category (SPC) =
Bedrock Acceleration Coefficient (A) =
Site Coefficient (S) =

PILE DATA (2-PIERS)

Type STEEL HP 10X42
Capacity Tons REFUSAL
Estimated Length 62 Feet
Number Required 10 (Includes 1 Test Pile located in Bent #1 (PIER #1))

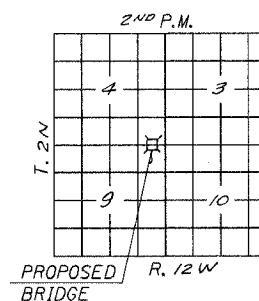
PILE DATA (2-ABUTS.)

Type STEEL HP 10X42
Capacity Tons REFUSAL
Estimated Length 62 Feet
Number Required 10 (Includes 1 Test Pile located in Bent #1 E. ABUT.)

STATION 4+84
-CREEK-
SEC. 05-05122-00-BR BUILT 20
PROJECT BR05-101(24)
LAWRENCE COUNTY
LOADING HS20
STR. NO. 051-3278

LETTERING FOR NAME PLATE

Locate Name Plate at S.W.
Corner of Bridge (See Std. CN)



LOCATION SKETCH

WATERWAY INFORMATION

Drainage Area = 5.98 Sq. Mi.		Low Grade Elev. = 425.5 @ Sta. 8+50				
Flood	Freq. Yr.	Q C.F.S.	Opening Sq. Ft.	Nat. H.W.E.	Head - Ft.	Headwater El.
Design	15	1210	237 326	428.9	0.3 0.1	429.2 429.0
Base	100	1934	237 381	429.8	0.3 0.3	430.1 430.1
Overtopping						
Max. Calc.	500	2520		430.4	0.4	430.8

INDEX OF SHEETS

1. General Plan & Elevation
2. Standard CS-2817-25
3. Standard CB-2817-48
4. Standard CA-2817-30
5. Standard CP-2817-30
6. Standard CR-TS1
7. Standard CN
8. Standard CK-1
9. Standard

GENERAL PLAN & ELEVATION

T.R. ROUTE 237
OVER _____
SECTION 05-05122-00-BR
LAWRENCE COUNTY
STATION 4+84