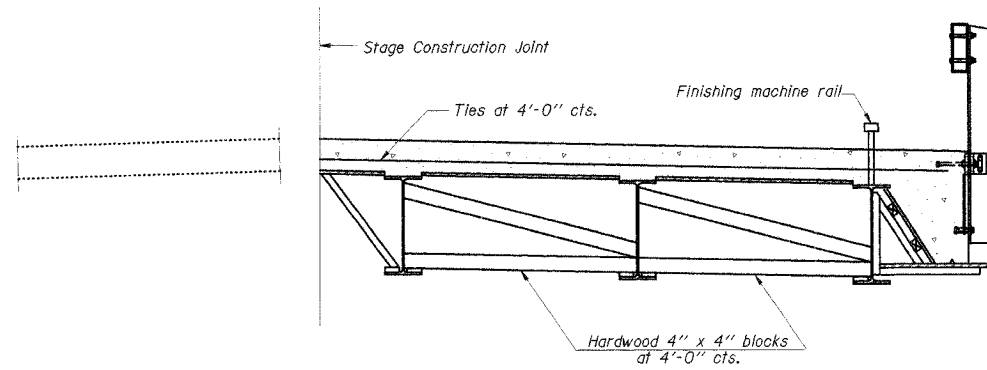
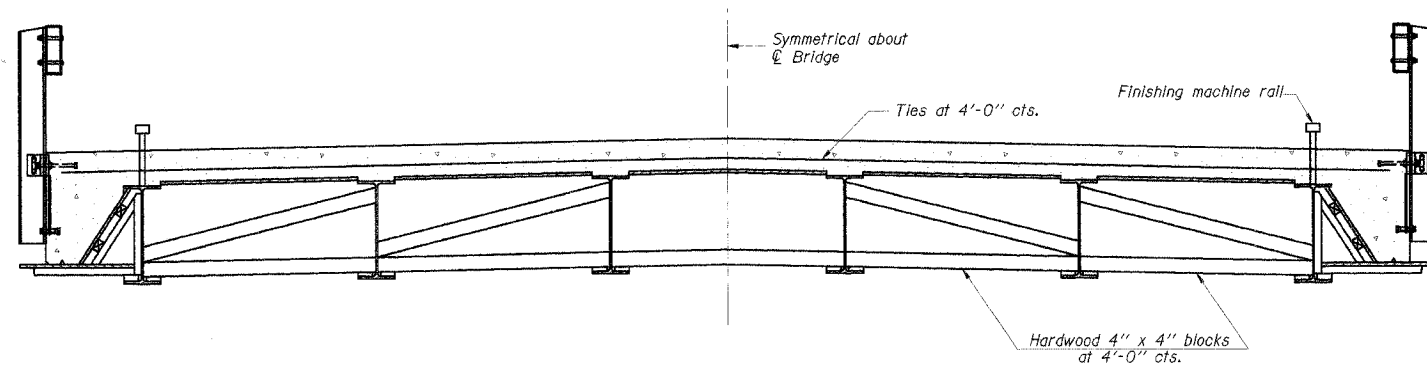


ROUTE NO.	SECTION	COUNTY	TOTAL SHEETS	SHEET NO.
TR 373	*	Vermillion	19	16
FED. ROAD DIST. NO.		ILLINOIS	FED. AID PROJECT	

*02-04130-00-BR



FORM BRACES FOR
STAGE CONSTRUCTION



FORM BRACES FOR
STANDARD CONSTRUCTION

When cantilever forming brackets are used, the work shall be done according to Article 503.06, except as in the details shown on this sheet.
 The finishing machine rails shall be placed on the top flange of the exterior beams.
 The beams or girders, supporting cantilever forming brackets, shall be tied together at 4 foot intervals.
 For Standard construction, or Stage Construction the Hardwood bracing materials shall be placed as shown between webs of beams in each bay.

DSGN	K.J. Hoffmann				
DR	K.J. Hoffmann				
CHK	K.E. Brandau				
APVD	K.E. Brandau	NO.	DATE	REVISION	BY

FRAUENHÖFFER
 Frauenhoffer and Associates, P.C. Consulting Engineers
 3002 Crossing Court Champaign, Il. 61822 217-351-6268

CANTILEVER FORMING BRACKETS
 CATLIN ROAD DISTRICT
 SECTION 02-04130-00-BR
 VERMILION COUNTY

SHEET	16
DWG NO.	5068-brkl.dgn
DATE	FEB 2006
PROJ NO.	506E