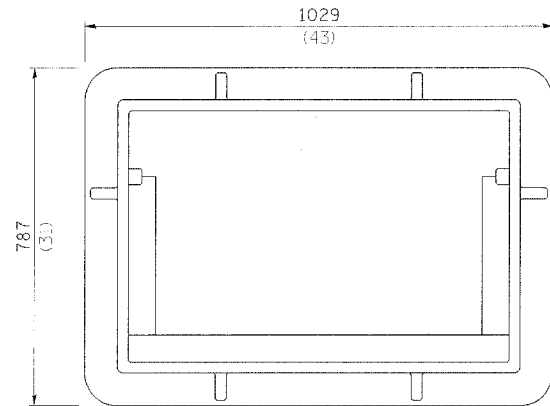
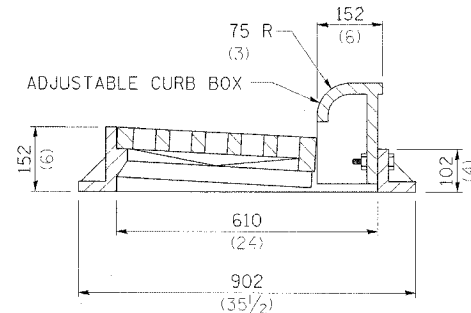


F.A. RTE.	SECTION	COUNTY	TOTAL SHEETS	SHEET NO.
595	1 - 1	ROCK ISLAND	239	171
STA.	TO STA.			
FED. RD DIST. NO.	ILLINOIS	FED. AID PROJECT		CONTRACT # 84986

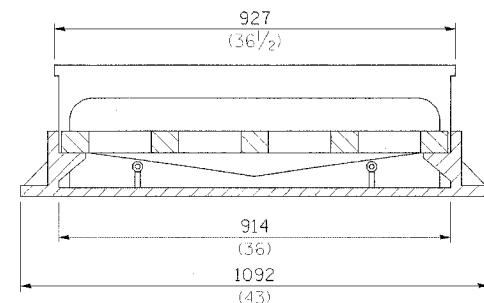
FRAME AND GRATE FOR INLET SPECIAL



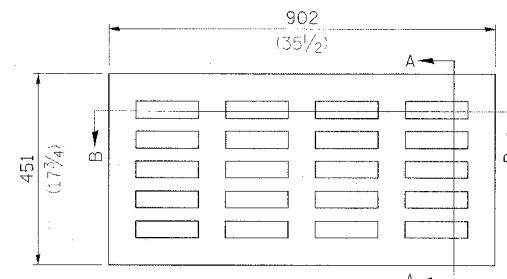
PLAN OF FRAME
WITHOUT GRATE AND CURB BOX



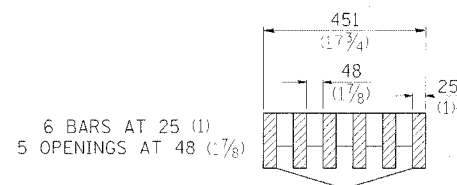
TRANSVERSE SECTION



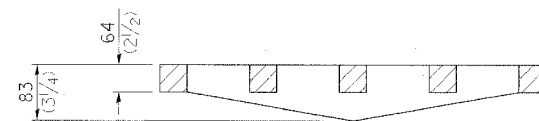
LONGITUDINAL SECTION



PLAN OF GRATE



SECTION A-A

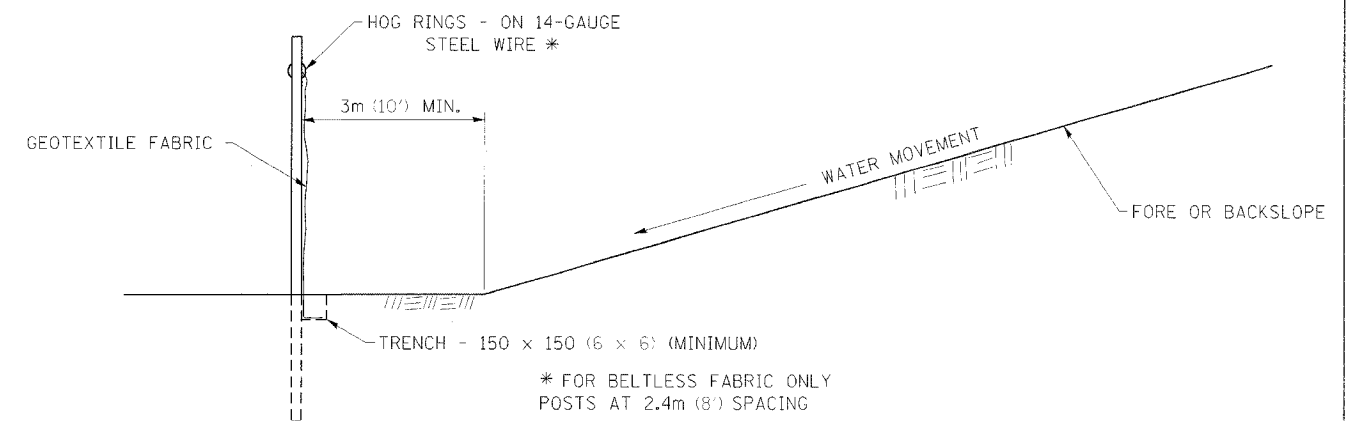
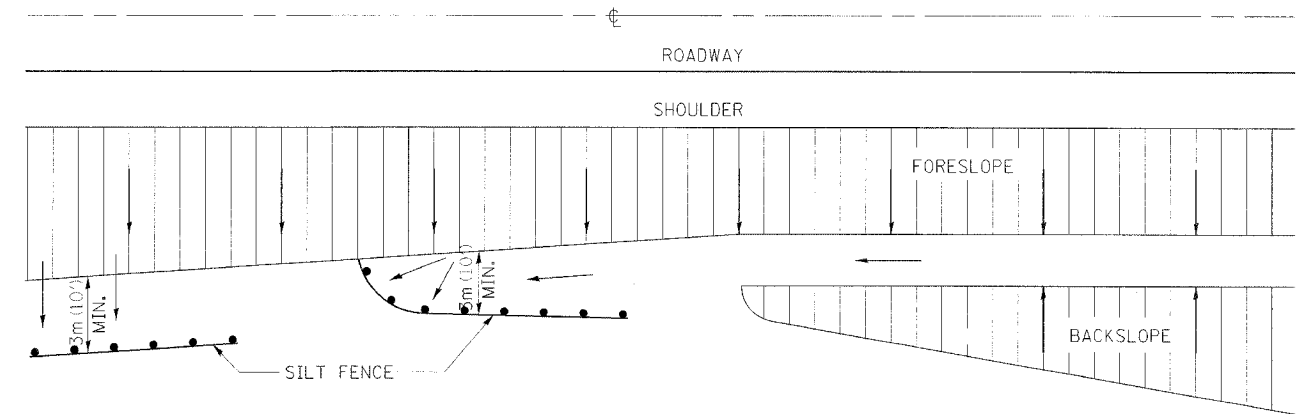


SECTION B-B

ALL DIMENSIONS ARE IN MILLIMETERS (INCHES) UNLESS OTHERWISE NOTED.

R 3246
APPROXIMATE WEIGHT - 225 Kg. (495 LBS.)

EROSION CONTROL DETAILS FOR SILT FENCE



DETAILS OF SILT FENCE

ALL DIMENSIONS ARE IN MILLIMETERS (INCHES) UNLESS OTHERWISE NOTED.