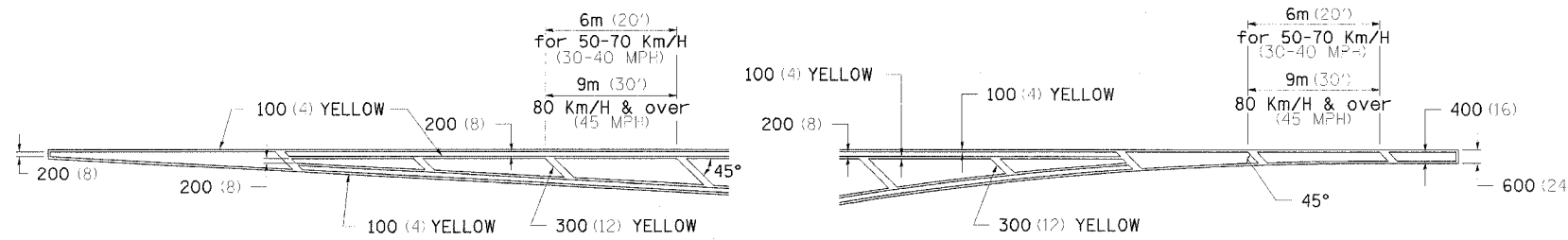


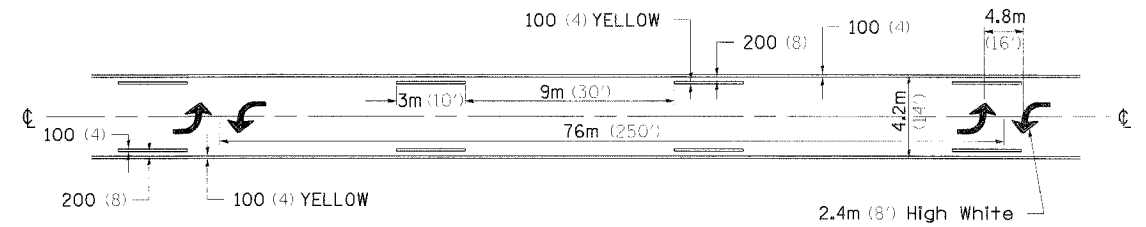
# TYPICAL PAVEMENT MARKINGS

F.A. RTE.	SECTION	COUNTY	TOTAL SHEETS	SHEET NO.
595	1 - 1	ROCK ISLAND	239	167
STA	TO STA			
FED. RD. DIST. NO.	ILLINOIS	FED. AID PROJECT		
CONTRACT # 84986				

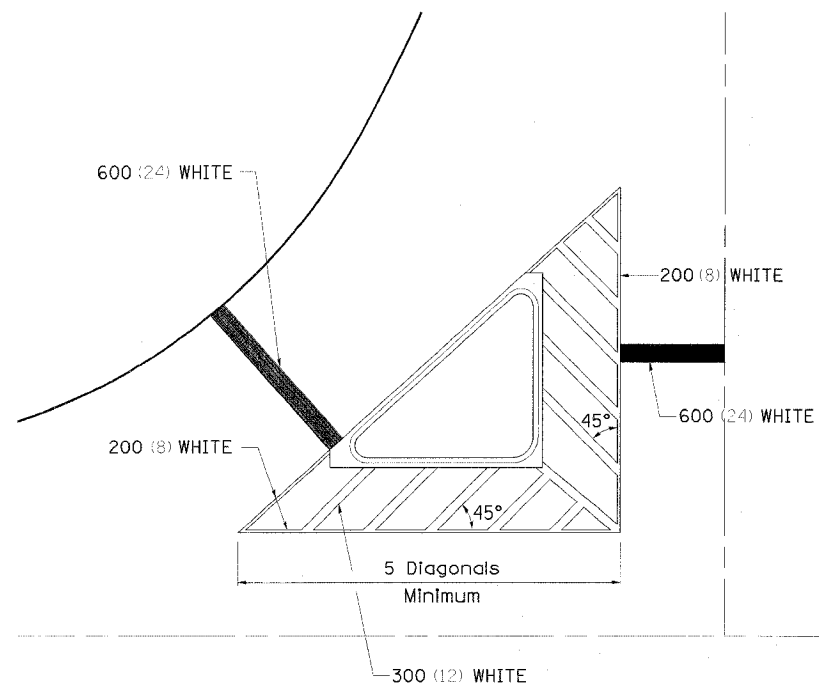
## TYPICAL PAVEMENT MARKING FOR FLUSH MEDIAN



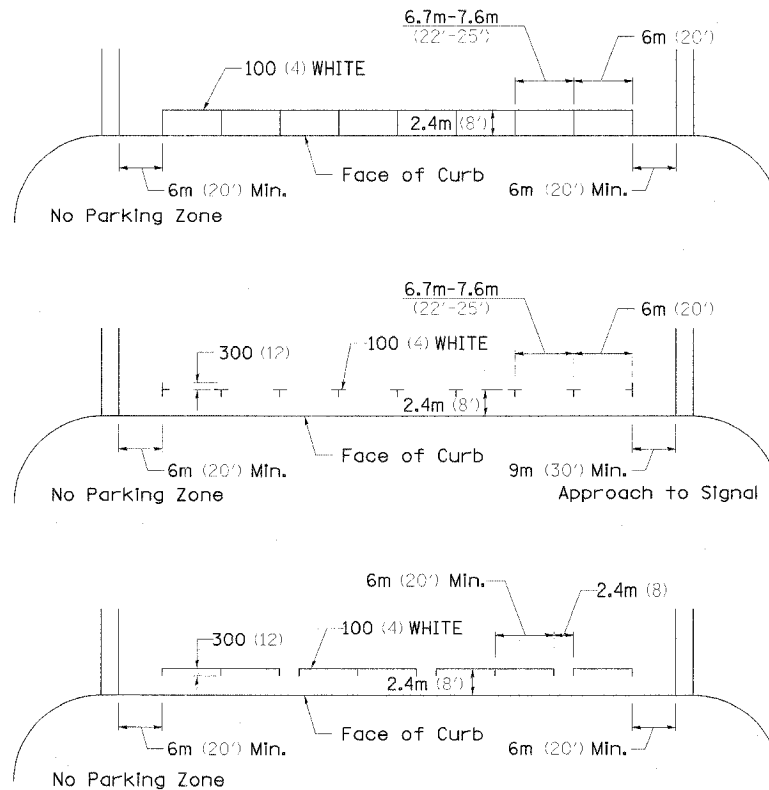
## MEDIAN PAVEMENT MARKING



## TYPICAL ISLAND OFFSET SHOULDER WIDTH



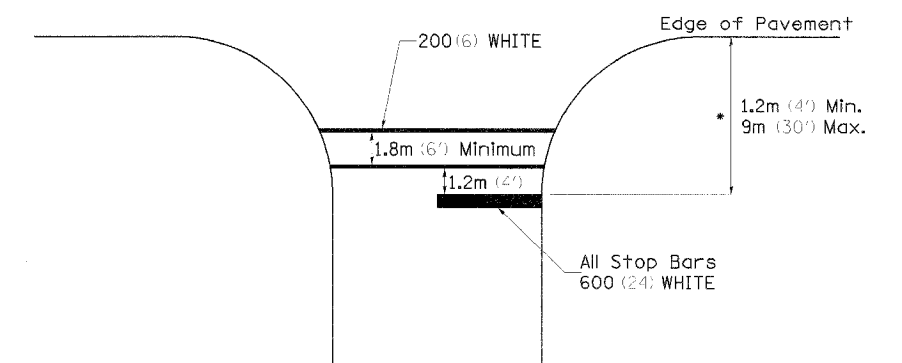
## TYPICAL PARKING SPACING



\*\* ALL DIMENSIONS ARE IN MILLIMETERS (INCHES) UNLESS OTHERWISE NOTED.

## STANDARD CROSSWALK MARKING

See Schedules for Locations



\* Distance to the nearest edge of the intersecting roadway in the absence of a marked crosswalk.