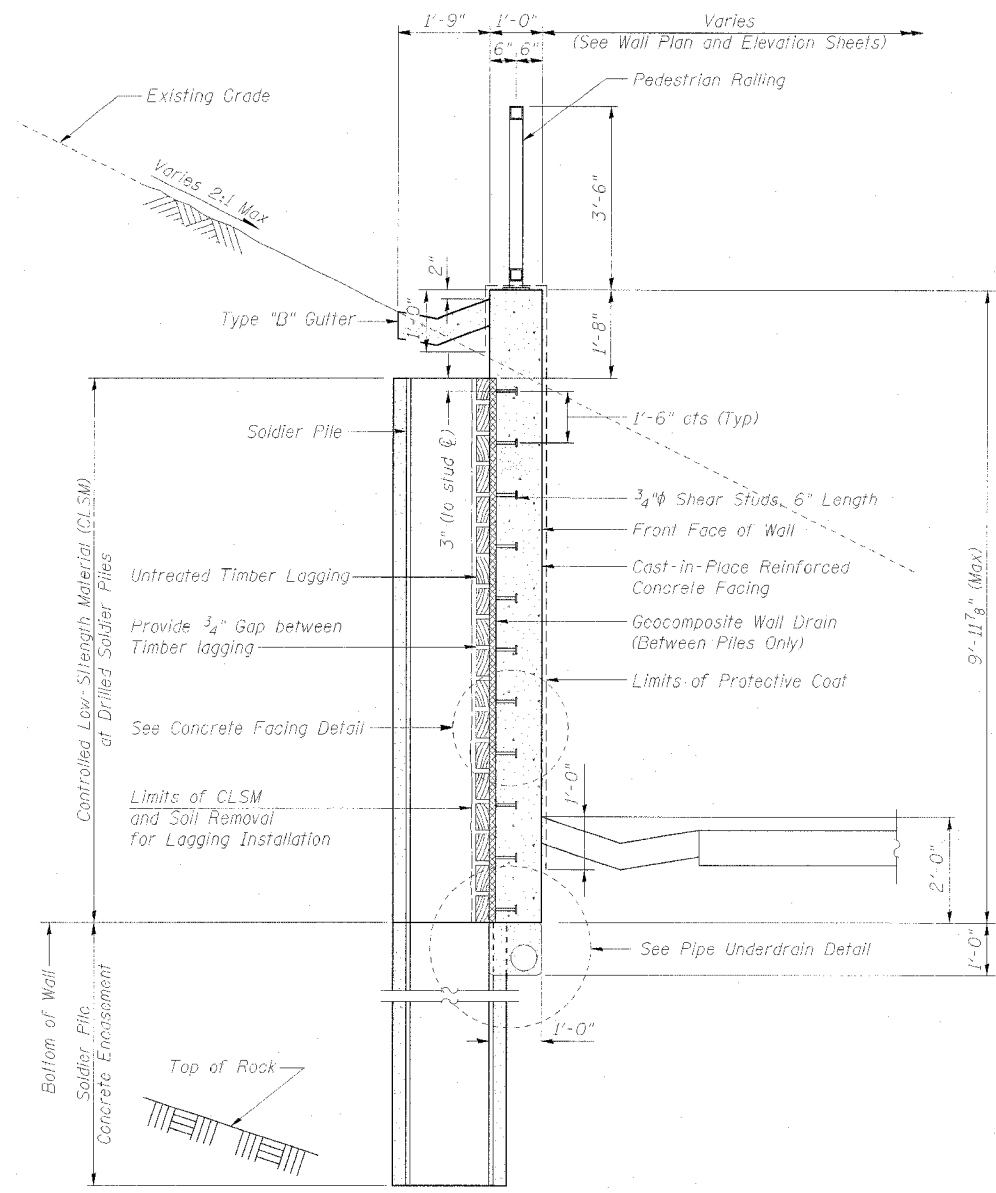
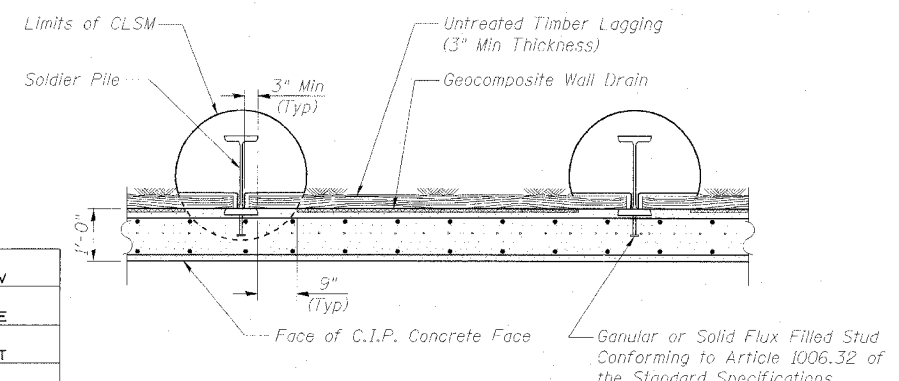


STATE OF ILLINOIS  
DEPARTMENT OF TRANSPORTATION

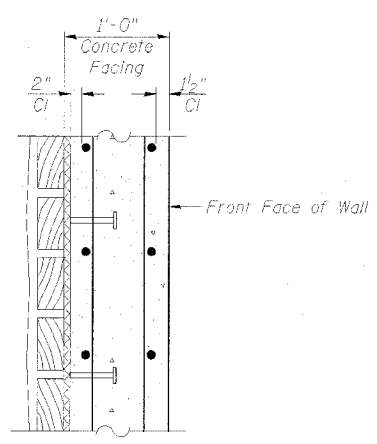
ROUTE NO.	SECTION	COUNTY	SHEET NO.	SHEET TOTAL
595	I-1	ROCK ISLAND	239	147
ILLINOIS PROJECT NO. 84986				



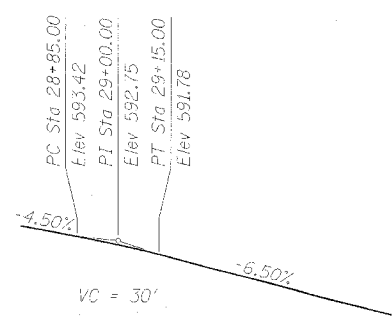
TYPICAL SECTION



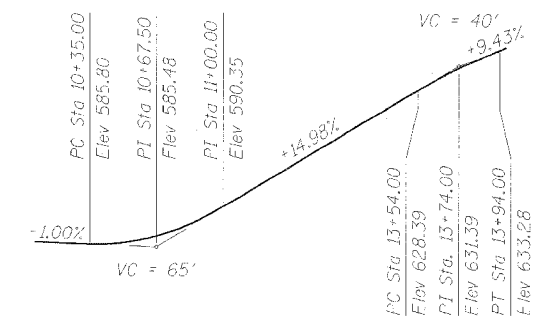
PLAN VIEW



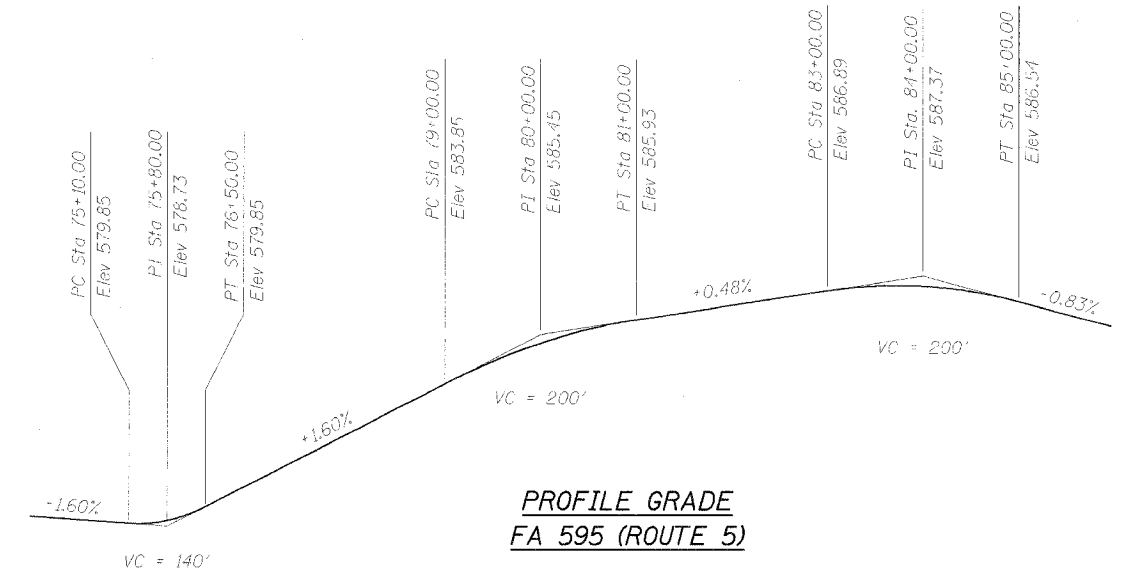
CONCRETE FACING DETAIL



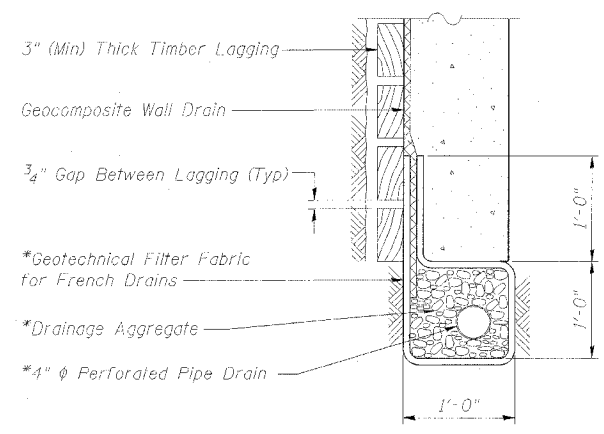
PROFILE GRADE  
INDIAN HILL ROAD  
PRIVATE ENTRANCE



PROFILE GRADE  
INDIAN HILL ROAD



PROFILE GRADE  
FA 595 (ROUTE 5)



PIPE UNDERDRAIN DETAIL

(Between piles shown, at piles similar.)  
\*Included in the cost of "Pipe Underdrain for Structures 4". See Note 1.

NOTES:  
1. Pipe Underdrains, Aggregate for French Drains and Geotechnical Filter Fabric for French Drains shall be according to Section 601 of the Standard Specifications, except that this material will not be paid for separately, but shall be paid for at the Contract Unit price per foot for Pipe Underdrain for Structures 4".

Illinois Firm Registration No. 184-00633  
**Stanley Consultants Inc.**  
850 West Higgins Road, Suite 730, Chicago, Illinois 60631-2800  
www.stanleygroup.com

TYPICAL SECTION AND DETAIL  
RETAINING WALL F ALONG  
INDIAN HILL ROAD  
FA 595 (IL ROUTE 5) SECTION I-1  
ROCK ISLAND COUNTY  
STA 80+86.37 TO STA 13+73.25

DESIGNED	NLV
CHECKED	DSE
DRAWN	RTT
CHECKED	DSE
DATE	JAN 31, 2006