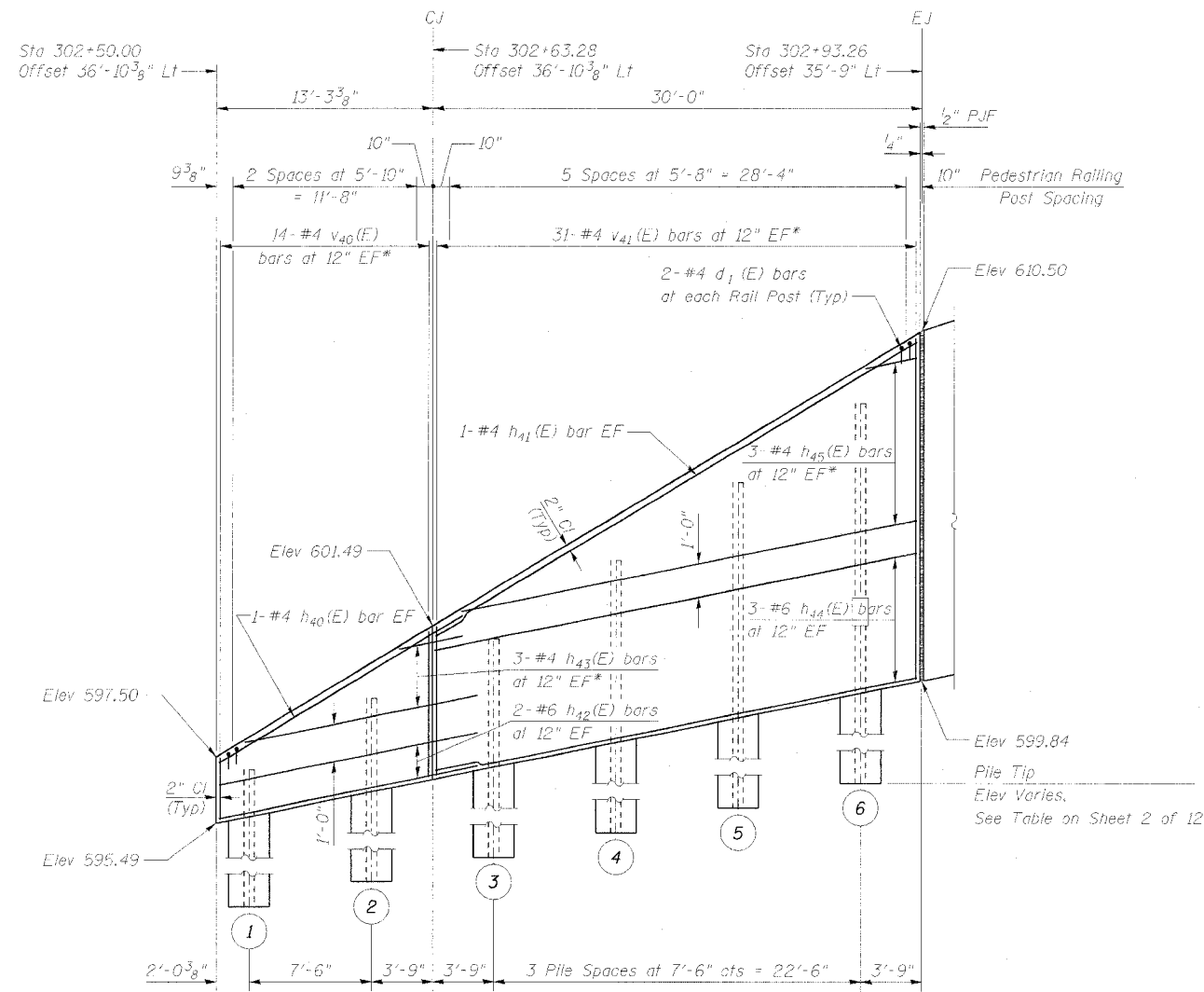
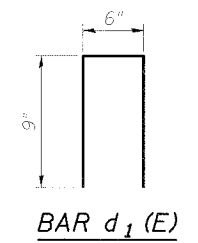


STATE OF ILLINOIS  
DEPARTMENT OF TRANSPORTATION

ROUTE NO.	SECTION	COUNTY	SHEET	PAGE	SHEET NO.
595	1-1	ROCK ISLAND	239	136	12 SHEETS
FED. ROAD DIST. NO. 2					
ALTERN. FED. AID PROJECT					
Contract No. 84986					



FRONT FACE ELEVATION

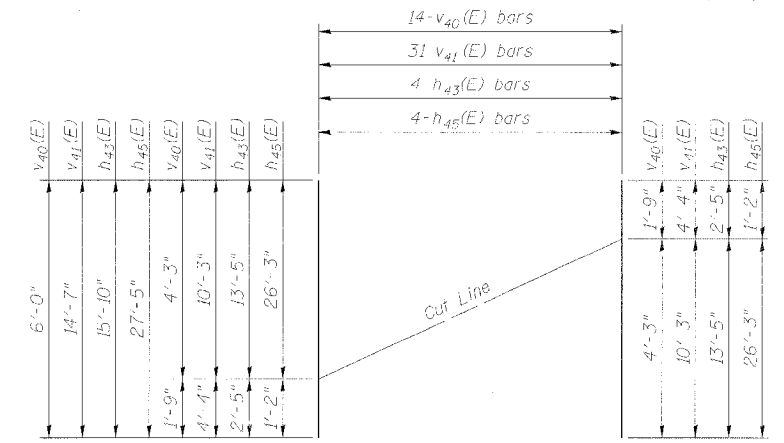


BAR d<sub>1</sub>(E)

**BILL OF MATERIAL**

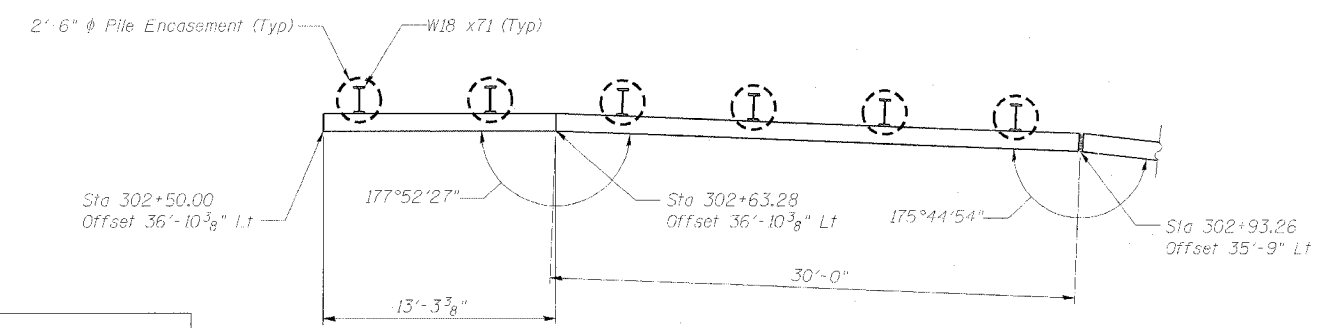
Bar	No.	Size	Length	Shape
d1 (E)	18	#4	2'-0"	U
h40(E)	2	#4	17'-4"	—
h41(E)	2	#4	30'-11"	—
h42(E)	4	#6	15'-11"	—
h43(E)	3	#4	15'-10"	—
h44(E)	10	#6	29'-10"	—
h45(E)	6	#4	27'-5"	—
v40(E)	14	#4	6'-0"	—
v41(E)	31	#4	14'-7"	—
Structure Excavation		Cu Yd	23.4	
Concrete Structures		Cu Yd	10.1	
Reinforcement Bars, Epoxy Coated		Pound	1130	

Reinforcement bars designated (E) shall be epoxy coated.  
See Sheet 2 of 12 for Expansion Joint and Water Seal Placement Detail.  
See Sheet 7 of 12 for Pedestrian Railing Details.  
See Sheet 3 of 12 for Retaining Wall, Typical Section and Underdrain Details.  
Min Lap Length: #4 bar = 1'-8"  
#6 bar = 2'-7"  
\*See Field Cutting Diagram



FIELD CUTTING DIAGRAM

Order bars full length. Cut to fit as shown and place at one end of the dimension line shown on the plan. Use remainder of bars at opposite end of the dimension line on the opposite face of the Retaining Wall.



PLAN

DESIGNED	-	NDR
CHECKED	-	DSE
DRAWN	-	RTT
CHECKED	-	DSE
DATE	-	JAN 31, 2006

Illinois Firm Registration No. 084-00633

**Stanley Consultants Inc.**  
850 West Higgins Road, Suite 730, Chicago, Illinois 60678-2601  
www.stanleygroup.com

**WALL PLAN AND ELEVATION  
RETAINING WALL E ALONG  
30TH STREET  
FA 595 (IL ROUTE 5) SECTION 1-1  
ROCK ISLAND COUNTY  
STA 302+50.00 TO STA 304+10.00  
STRUCTURE NO. 081-W007**