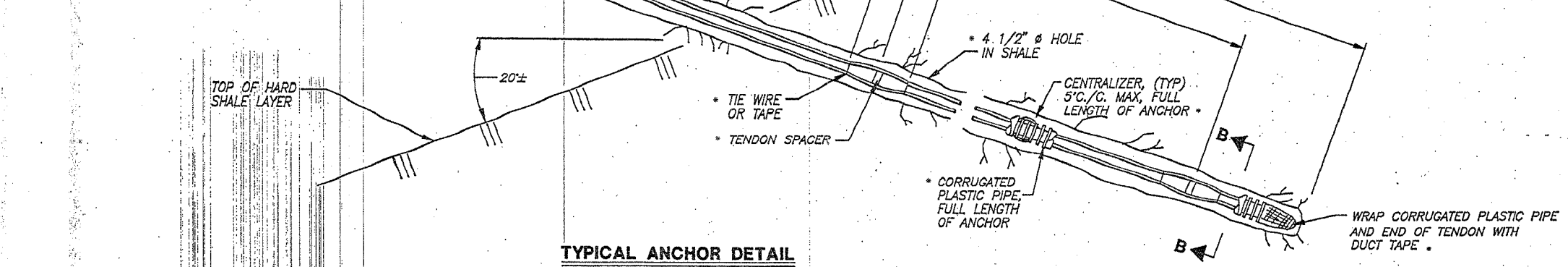
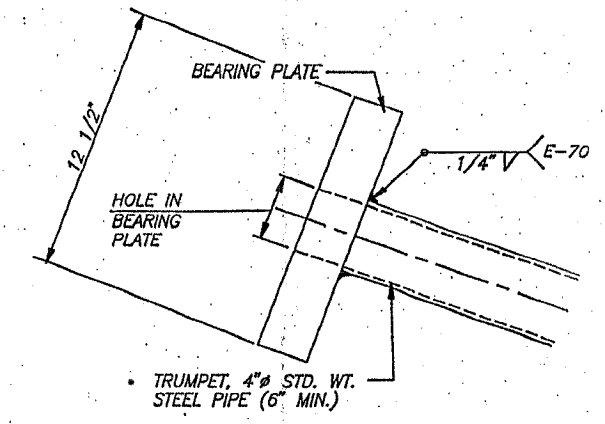
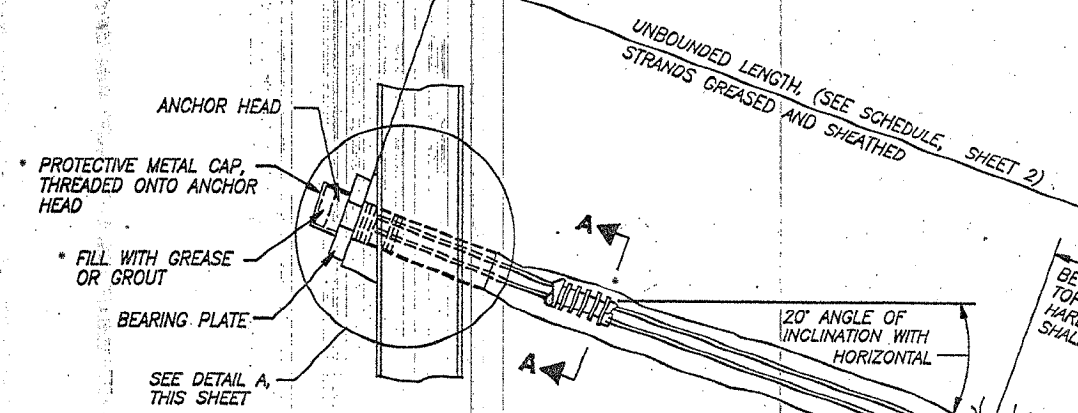


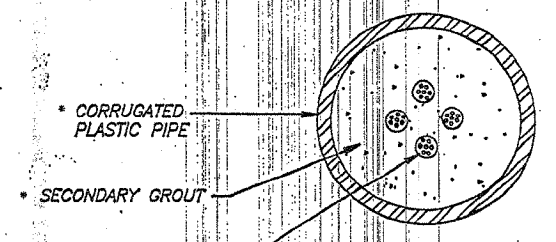
CONTRACT NO. 84986 34-1-1A DET-4 5-21-92				
FED. AID Rt. NO.	SECTION	COUNTY	TOTAL SHEETS	SHEET NO.
F.A.P. 595	1-1	ROCK ISLAND	229	107
FED. ROAD DIST. NO. 7 ILLINOIS PROJECT				

SHEET 8 OF 15.

CONTRACTOR SHALL FURNISH AND INSTALL PERMANENT GROUND ANCHORS MEETING THE REQUIREMENTS FOR DESIGN LOAD, UNBONDED LENGTH, AND LOCK-OFF LOAD SHOWN IN THE ANCHOR SCHEDULE ON SHEET 2. ITEMS INDICATED WITH AN ASTERISK (\*) SHALL BE DESIGNED OR SELECTED BY THE CONTRACTOR. ALL MATERIALS AND WORK SHALL BE IN COMPLIANCE WITH THE PERFORMANCE SPECIFICATION FOR PERMANENT GROUND ANCHORS. (SEE SPECIAL PROVISIONS) COST OF BEARING PLATE AND STEEL PIPE SLEEVE SHALL BE INCLUDED WITH THE COST FOR PERMANENT GROUND ANCHORS.

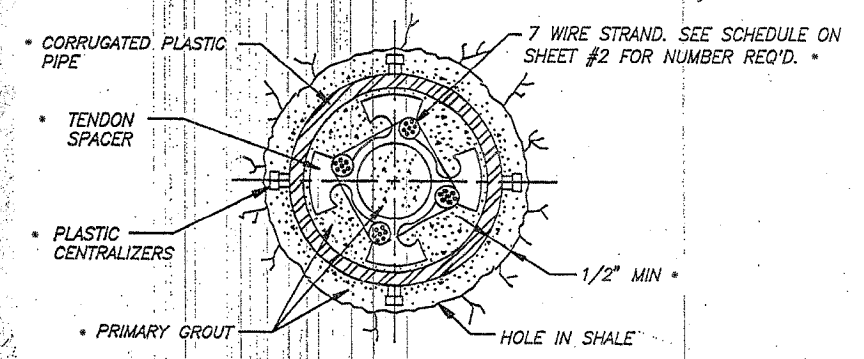


TYPICAL ANCHOR DETAIL  
 (FOR WALLS "A" AND "B")

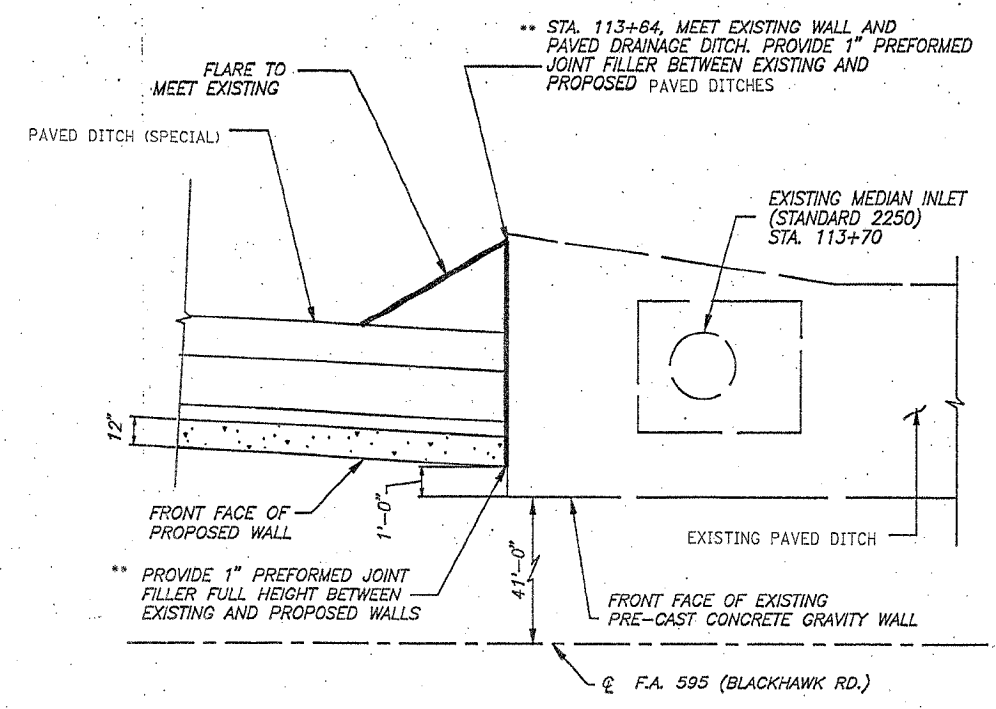


SECTION A-A

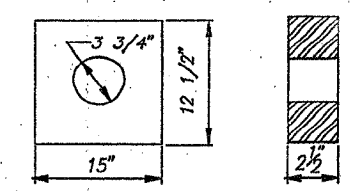
\* 0.6" Ø, 7 WIRE STANDS, 270 KSI, GREASED AND SHEATHED



SECTION B-B



END DETAIL  
 (PROPOSED WALL "B" MEETS EXISTING WALL)



BEARING PLATE DETAIL  
 (AASHTO M270, GR. 50)

\*\* PREFORMED JOINT FILLER SHALL CONFORM TO ARTICLE 1051 OF THE STANDARD SPECIFICATIONS. COST INCLUDED IN CONCRETE STRUCTURES.

WALL DETAILS  
 RETAINING WALL "A" & "B"  
 F.A. RTE. 595 SECTION 1-1  
 ROCK ISLAND COUNTY