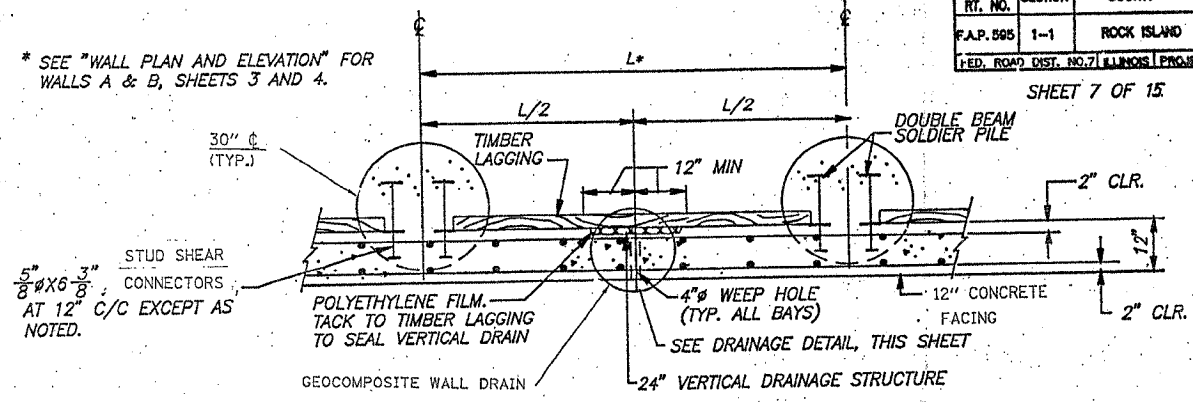


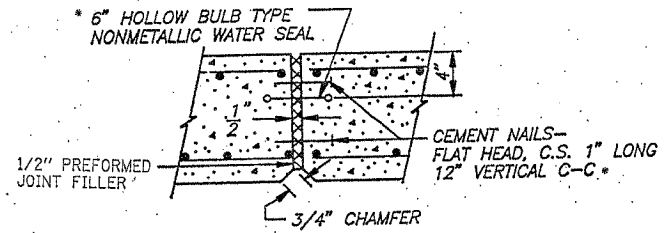
**ELEVATION DETAIL**

\* SEE "WALL PLAN AND ELEVATION" FOR WALLS A & B, SHEETS 3 AND 4.



**SECTION A-A**

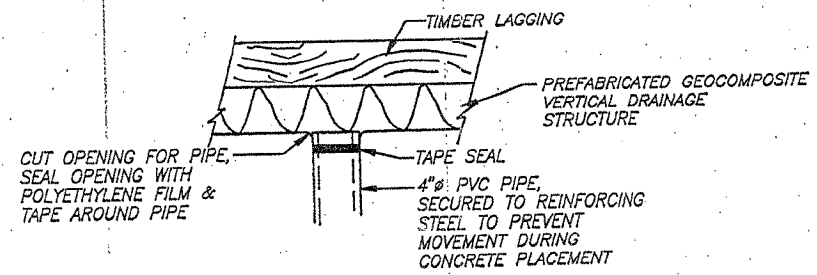
NOTE: SEE REINFORCEMENT BAR SCHEDULES FOR WALLS "A" & "B" FOR REINFORCING IN C.I.P. FACING ON SHEETS #10 AND #11.



**EXPANSION JOINT DETAIL**

SEE SHEETS #3 AND #4 FOR JOINT LOCATIONS

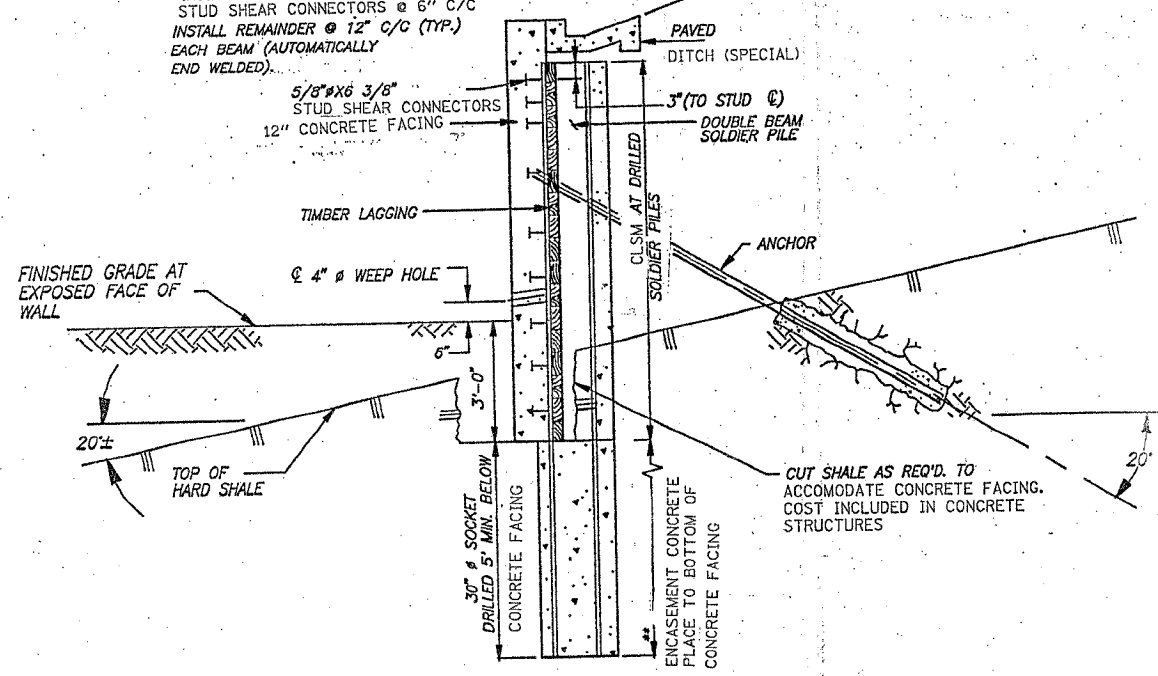
\* COST INCLUDED IN CONCRETE STRUCTURES. PREFORMED JOINT FILLER SHALL CONFORM TO ARTICLE 1051 OF THE STANDARD SPECIFICATIONS.



**DRAINAGE DETAIL**

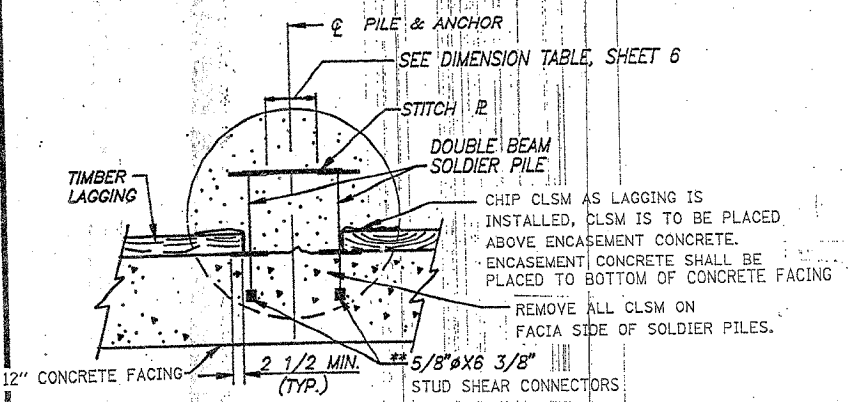
ALL COSTS ASSOCIATED WITH PROVIDING AND ATTACHING 4" Ø PVC PIPE TO VERTICAL DRAINAGE STRUCTURES SHALL BE INCIDENTAL TO "GEOCOMPOSITE WALL DRAIN".

NOTE: INSTALL FIRST 3 STUD SHEAR CONNECTORS @ 6" C/C INSTALL REMAINDER @ 12" C/C (TYP.) EACH BEAM (AUTOMATICALLY END WELDED).



**TYPICAL WALL SECTION**

(WALL "A", PILES #5 TO #14)



**SOLDIER PILE DETAIL**

\*\* 5/8" X 6 3/8" GRANULAR OR SOLID FLUX FILLED HEADED STUDS CONFORMING TO ART. 1006.32 OF THE STANDARD SPECIFICATIONS. AUTOMATICALLY END WELDED (TYP.)