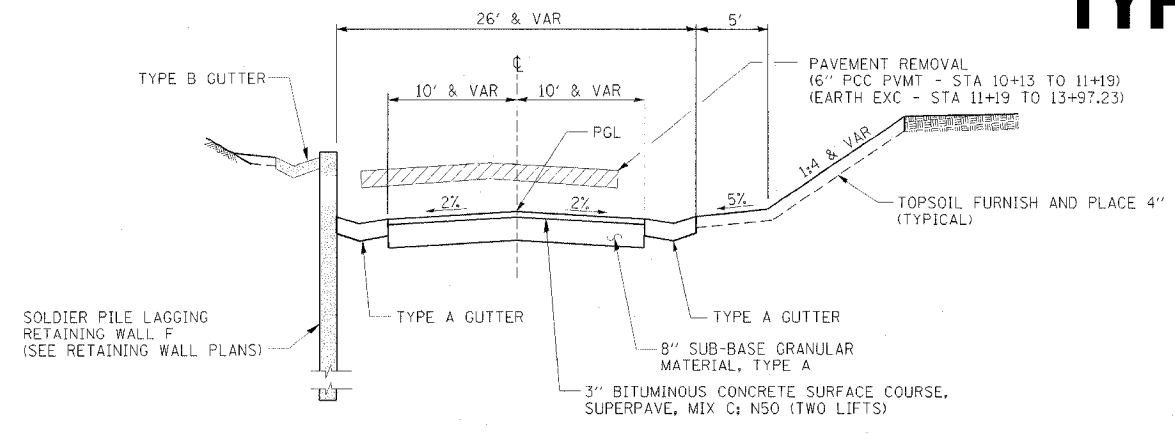
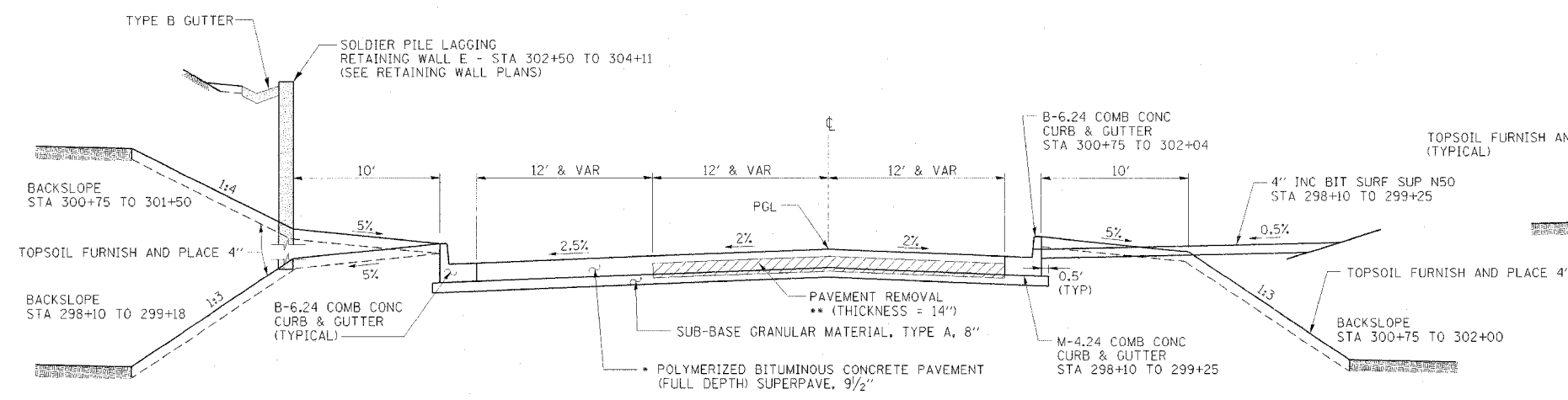


# TYPICAL SECTIONS

F.A. RTE	SECTION	COUNTY	TOTAL SHEET SHEETS	NO
595	I - 1	ROCK ISLAND	239	12
STA	TO STA			
FED ROAD DIST NO	ILLINOIS	FED AID PROJECT		
CONTRACT # 84986				

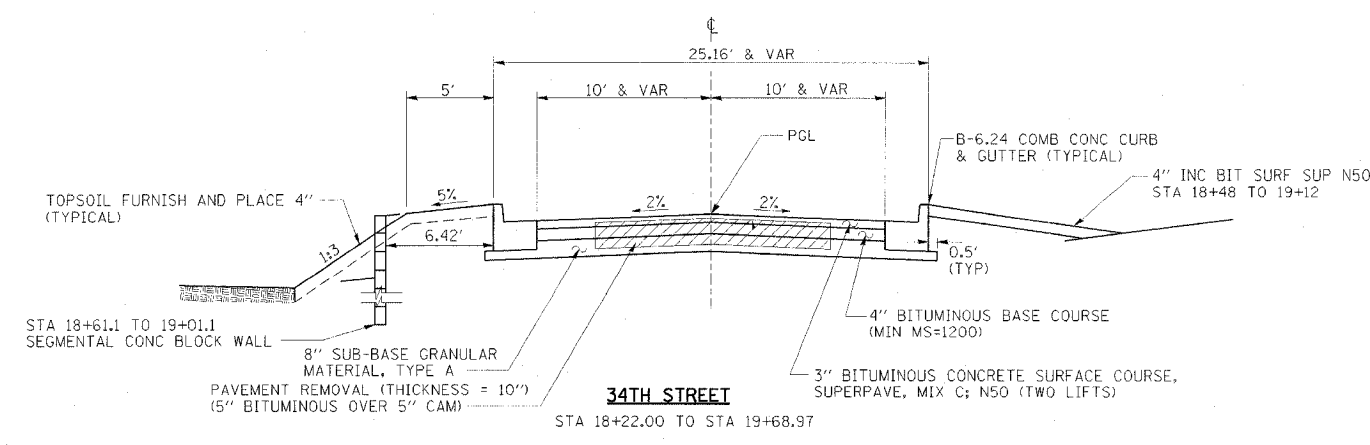


**INDIAN HILL ROAD**  
STA 10+32.00 TO 13+97.23

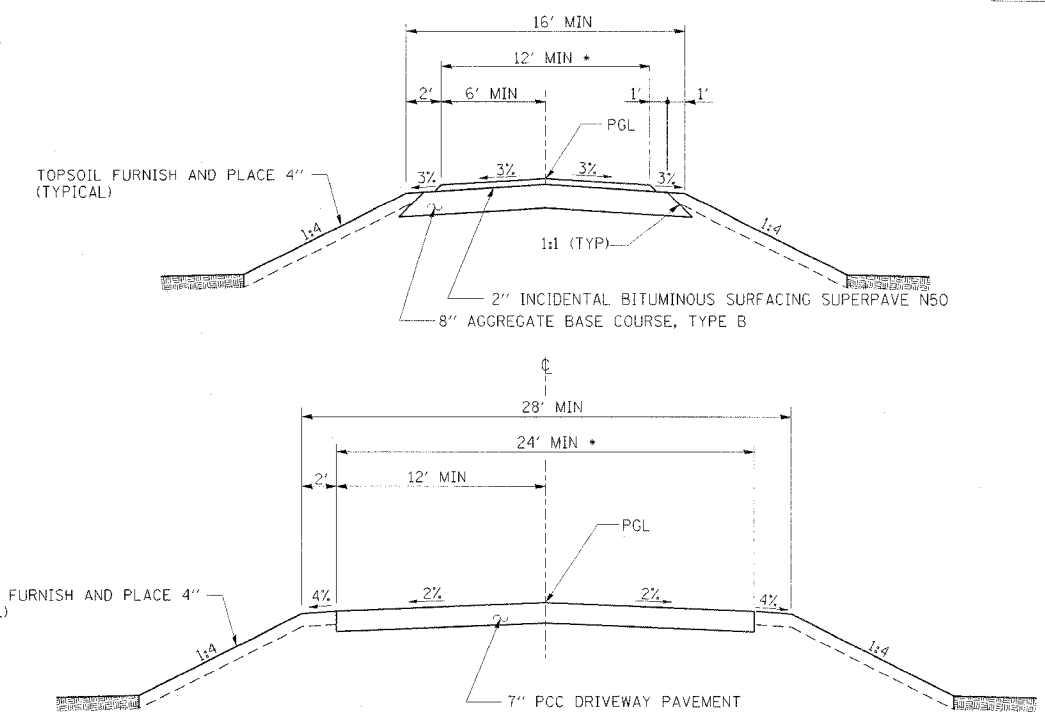


**30TH STREET**  
STA 298+10.00 TO STA 299+68.35 (SOUTH IL 5)  
STA 300+31.65 TO STA 303+98.24 (NORTH IL 5)

- 2" POLYMERIZED BITUMINOUS CONCRETE SURFACE COURSE, SUPERPAVE, MIX "D", N50
- 2 1/4" POLYMERIZED BITUMINOUS CONCRETE BINDER COURSE, SUPERPAVE, IL-19.0, N50 (TOP LIFT BINDER)
- 5 1/4" BITUMINOUS CONCRETE BINDER COURSE, SUPERPAVE, IL-19.0, N50 (BOTTOM LIFTS BINDER)
- EXISTING PAVEMENT ON NORTH 30TH ST 14" BITUMINOUS
- EXISTING PAVEMENT ON SOUTH 30TH ST 3" BITUMINOUS WITH GRANULAR SUBBASE OVER 9" (4" BITUMINOUS OVER 5" CAM)



**34TH STREET**  
STA 18+22.00 TO STA 19+68.97



**PRIVATE AND COMMERCIAL ENTRANCES**  
• PRIVATE ENTRANCE - 12' MIN, 24' MAX  
• COMMERCIAL ENTRANCE - 24' MIN, 35' MAX

**30TH STREET**

STRUCTURAL DESIGN TRAFFIC:	YEAR	2023
PV=	7680	SU= 110 MU= 10
ROAD/STREET CLASSIFICATION:	MINOR ARTERIAL	
PERCENT OF STRUCTURAL DESIGN TRAFFIC IN DESIGN LANE:	P= 50 S= 50 M= 50	
TRAFFIC FACTOR:	Actual Tf= 0.3	AC Type= 20
	Minimum Tf= 0.5	
SOIL TYPE: (POOR, FAIR, GRANULAR):	POOR	

ILLINOIS PROFESSIONAL DESIGN FIRM NO. 184-001533

Stanley Consultants INC.  
859 West Higgins Road, Suite 730, Chicago, Illinois 60639-2803  
www.stanleyconsultants.com

REVISIONS	
NAME	DATE

ILLINOIS DEPARTMENT OF TRANSPORTATION

**TYPICAL SECTIONS**

SCALE: VERT. \_\_\_\_\_  
HORIZ. \_\_\_\_\_  
DATE \_\_\_\_\_

DRAWN BY \_\_\_\_\_  
CHECKED BY \_\_\_\_\_