

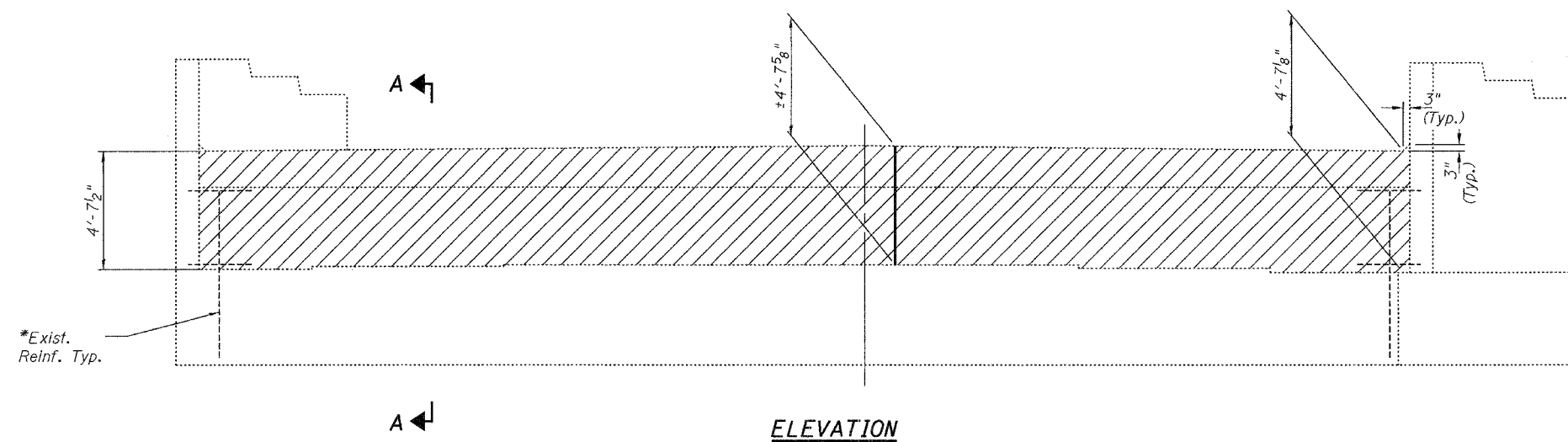
STATE OF ILLINOIS  
DEPARTMENT OF TRANSPORTATION

ROUTE NO.	SECTION	COUNTY	DISTRICT	SHEET NO.
I-57		Marion	13	9
FED. ROAD DIST. NO. 7	ILLINOIS	FED. AID PROJECT		

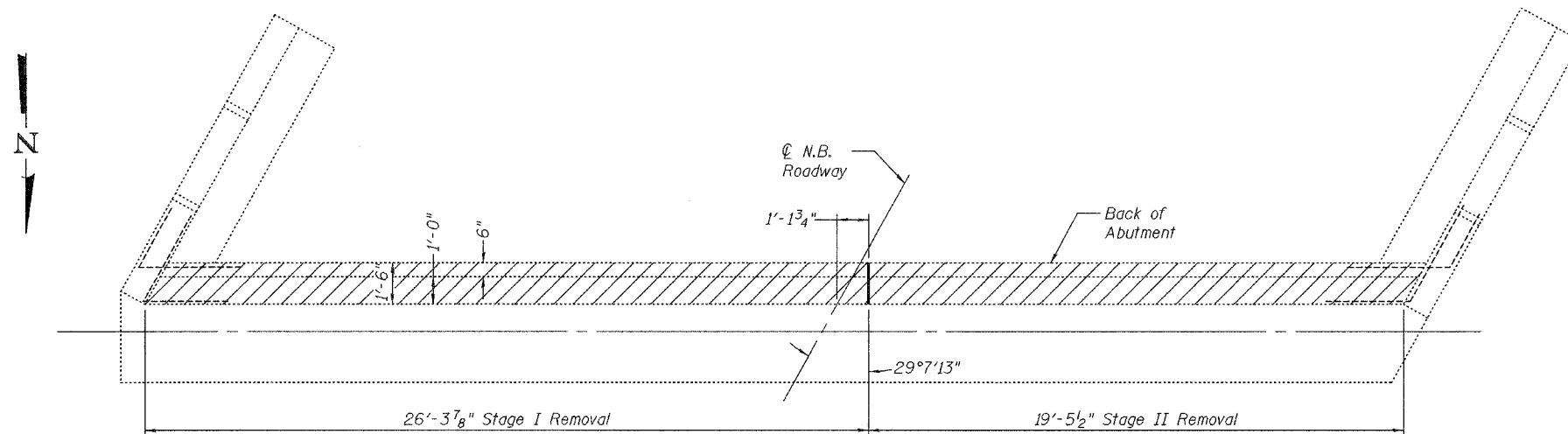
SHEET NO. 4

8 SHEETS

Contract Number: 74097



ELEVATION



PLAN

Notes:  
For Section A-A see sheet 3 of 8.  
Hatched areas indicate area of Concrete Removal.  
\*Existing reinforcement extending into the removal area shall be cleaned, straightened and incorporated into the new construction. Any reinforcement bars that are damaged during concrete removal shall be replaced with an approved bar splicer or anchorage system. Cost shall be included with Concrete Removal.

DESIGNED	A.T.H.
CHECKED	S.J.B.
DRAWN	Drew Christopher
CHECKED	A.T.H. S.J.B.

February 28, 2006  
EXAMINED *John A. Morris*  
ENGINEER OF STRUCTURAL SERVICES  
PASSED *Ralph E. Anderson*  
ENGINEER OF BRIDGES AND STRUCTURES

**SOUTH ABUTMENT  
REMOVAL DETAILS  
I-57 OVER MISSOURI &  
ILLINOIS RAILROAD  
MARION COUNTY  
SN 061-0049**