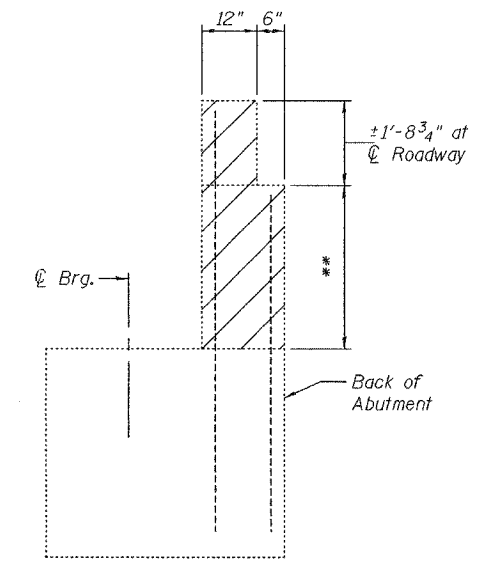
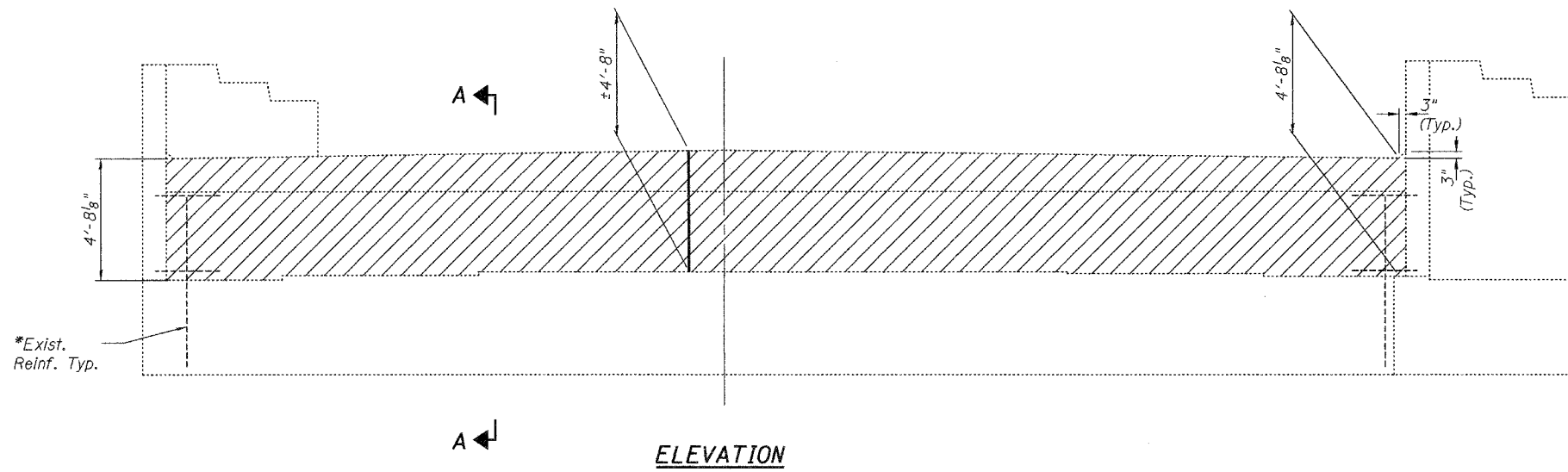


STATE OF ILLINOIS
DEPARTMENT OF TRANSPORTATION

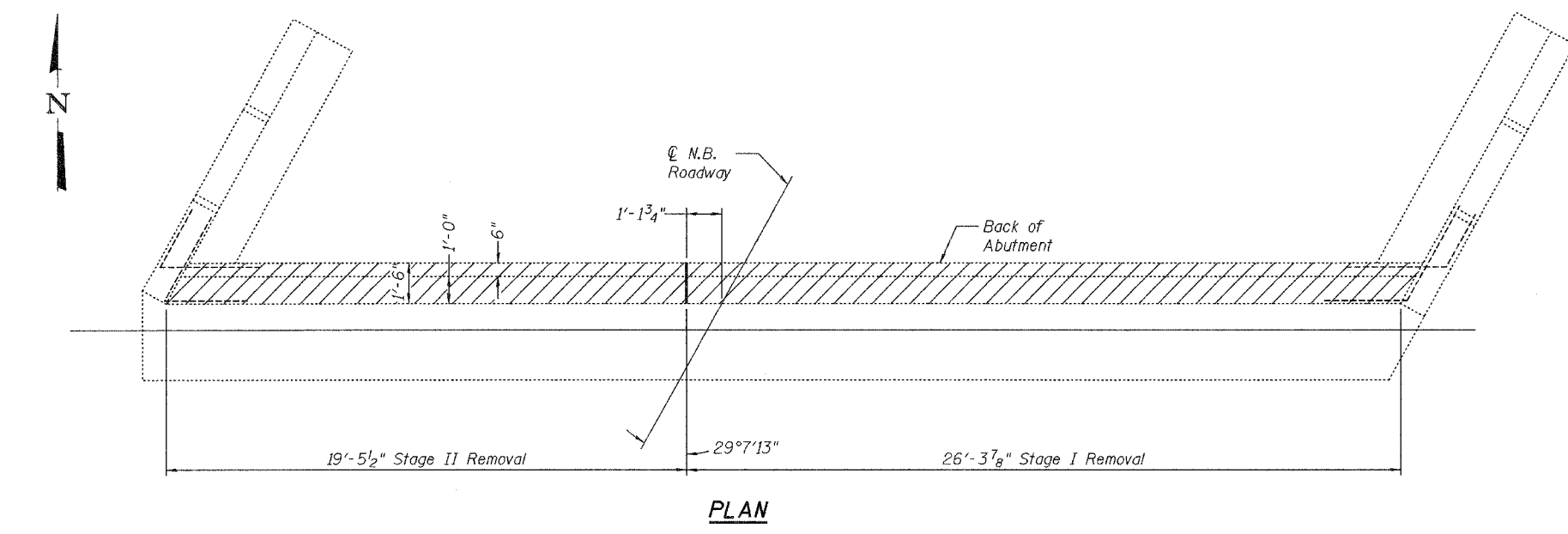
ROUTE NO.	SECTION	COUNTY	SHEET NO.	SHEET	SHEET NO.
I-57		Marion	13	8	3
FED. ROAD DIST. NO. 7	ILLINOIS	FED. AID PROJECT-			

Contract Number: 74097



SECTION A-A
**Varies from
2'-11 $\frac{1}{2}"$ to 3'-3" for the North Abutment
2'-9 $\frac{7}{8}"$ to 3'-2 $\frac{5}{8}"$ for the South Abutment

Notes:
Hatched areas indicate area of Concrete Removal.
*Existing reinforcement extending into the removal area shall be cleaned, straightened and incorporated into the new construction. Any reinforcement bars that are damaged during concrete removal shall be replaced with an approved bar splicer or anchorage system. Cost shall be included with Concrete Removal.



DESIGNED	A.T.H.	February 28, 2006
CHECKED	S.J.B.	EXAMINED <i>John A. Morris</i> ENGINEER OF STRUCTURAL SERVICES
DRAWN	Drew Christopher	PASSED <i>Ralph E. Anderson</i> ENGINEER OF BRIDGES AND STRUCTURES
CHECKED	A.T.H. S.J.B.	

**NORTH ABUTMENT
REMOVAL DETAILS
I-57 OVER MISSOURI &
ILLINOIS RAILROAD
MARION COUNTY
SN 061-0049**