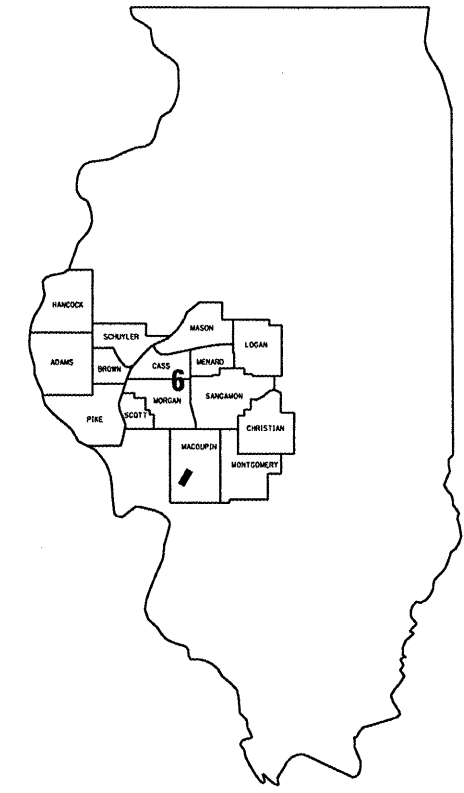


FOR INDEX OF SHEETS AND HIGHWAY
STANDARDS, SEE SHEET 2.

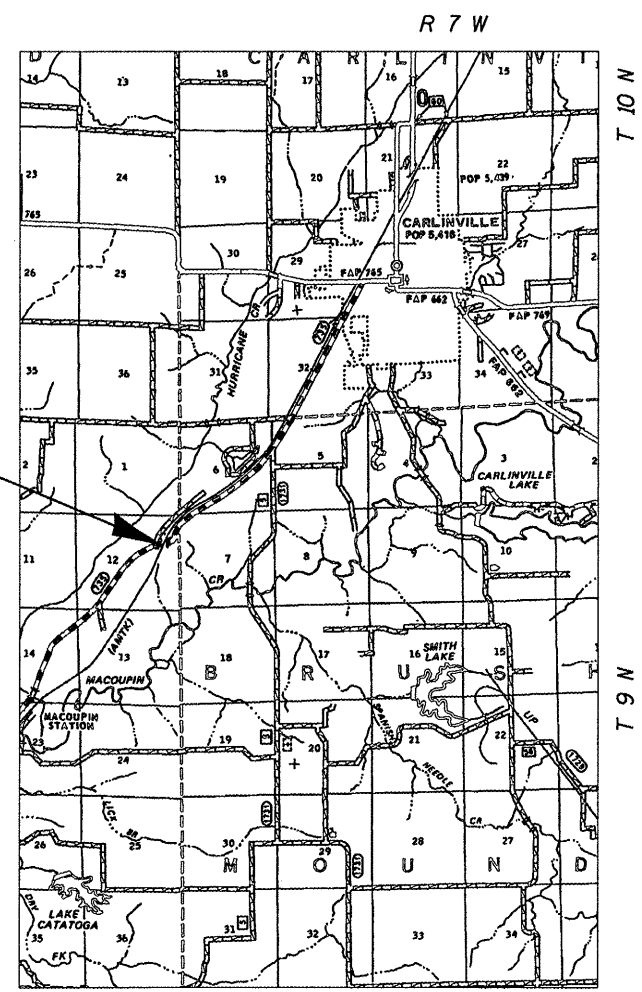
STATE OF ILLINOIS
DEPARTMENT OF TRANSPORTATION
DIVISION OF HIGHWAYS
**PLANS FOR PROPOSED
CONTRACT MAINTENANCE
FAS ROUTE 735 (SHIPMAN BLACKTOP)
SECTION 7RS-5
MACOUPIN COUNTY
C96-015-06 / D96-012-06**

CONTRACT: 72A30
SHEET 1 OF 10

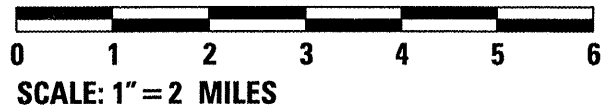


LOCATION OF SECTION INDICATED THUS: ■

LOCATION OF WORK
STATION 167+61.7



NET LTH OF SEC 967 ft = 0.183 mile



J. U. L. I. E.
JOINT UTILITY LOCATION INFORMATION FOR EXCAVATION
1-800-892-0123

DESIGN & PLANNING ENGINEER: CECIL DOWNING
PLANS & CONTRACT TECHNICIAN: TIMOTHY SHARP
PHONE: (217) 782-7743

CONTRACT NO. 72A30

STATE OF ILLINOIS
DEPARTMENT OF TRANSPORTATION
DIVISION OF HIGHWAYS
SUBMITTED FEB 10 20 06
Christ M Reed
DISTRICT ENGINEER
March 24, 2006
Mike Hines
ENGINEER OF DESIGN AND ENVIRONMENT
March 24, 2006
Milton R Sees P.E.
DIRECTOR, DIVISION OF HIGHWAYS

INDEX

- 1 COVER
- 2 INDEX/STANDARDS/SIGNATURES
- 3-4 QUANTITIES
- 5 TYPICAL SECTIONS
- 6 SCHEDULES
- 7 BUTT JOINT DETAILS
- 8-9 EXISTING STORM SEWER LAYOUT
- 10 WIDTH RESTRICTION SIGNAGE

STANDARDS

- 420601-04
- 420701-01
- 442101-05
- 606001-02
- 701001-01
- 701006-02
- 701011-01
- 701201-02
- 701306-01
- 701311-02
- 701316-03
- 702001-06
- 780001-01
- 781001-02

NOTES:

SIZE AND LOCATION OF PATCHES TO BE DETERMINED IN THE FIELD BY THE RESIDENT ENGINEER.

STATE OF ILLINOIS DEPARTMENT OF TRANSPORTATION DIVISION OF HIGHWAYS DISTRICT 6	
EXAMINED	February 10 20 06 <i>[Signature]</i> ENGINEER OF OPERATIONS
EXAMINED	FEB 14 20 06 <i>[Signature]</i> ENGINEER OF PROGRAM IMPLEMENTATION
EXAMINED	JANUARY 31 20 06 <i>[Signature]</i> ENGINEER OF PROGRAM DEVELOPMENT

INDEX/STANDARDS/SIGNATURES
FAS 735 (SHIPMAN BLACKTOP)
SECTION 7RS-5
MACOUPIN CONTY

Rev.

S U M M A R Y O F Q U A N T I T I E S

CODE NO.	ITEM	UNIT	100% STATE
			J000
			TOTAL QTY
40600200	BITUMINOUS MATERIALS (PRIME COAT)	TON	0.7
40600300	AGGREGATE (PRIME COAT)	TON	3.6
40600895	CONSTRUCTING TEST STRIP	EACH	1
40600990	TEMPORARY RAMP	SQ YD	56
42001200	PAVEMENT FABRIC	SQ YD	356
44000030	BITUMINOUS SURFACE REMOVAL (VARIABLE DEPTH)	SQ YD	1,794
44001900	COMBINATION CURB AND GUTTER REMOVAL (SPECIAL)	FOOT	1,722
44004400	PAVEMENT REMOVAL (SPECIAL)	SQ YD	356
44200956	CLASS B PATCHES, TYPE II, 9 INCH	SQ YD	40
44213200	SAW CUTS	FOOT	252
60255500	MANHOLES TO BE ADJUSTED	EACH	1
60605000	COMBINATION CURB AND GUTTER, TYPE B-6.24	FOOT	1,722
67100100	MOBILIZATION	L SUM	1
70100100	TRAFFIC CONTROL AND PROTECTION STANDARD 701316	EACH	1
70100450	TRAFFIC CONTROL AND PROTECTION STANDARD 701201	L SUM	1

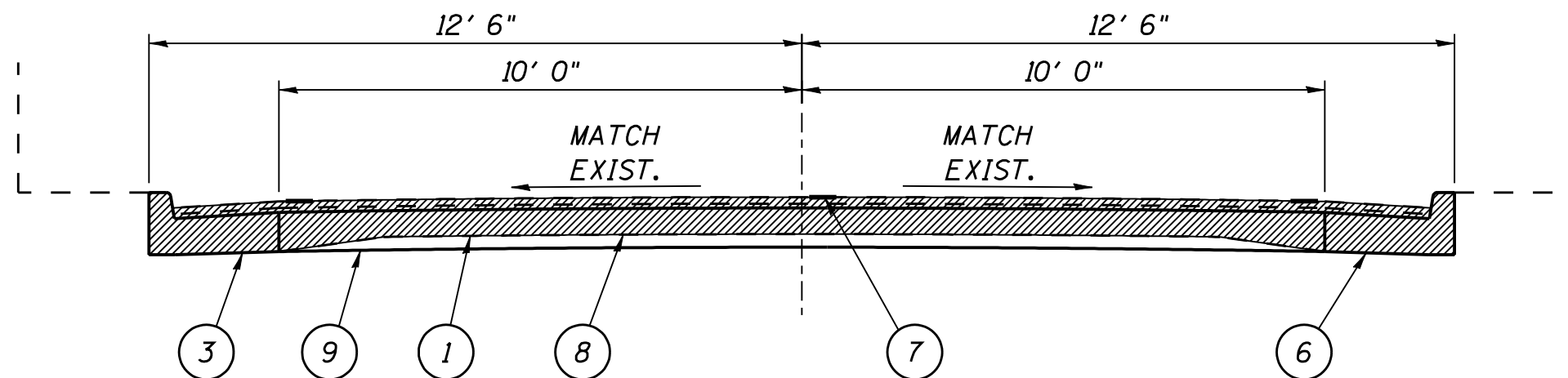
QUANTITIES
FAS 735 (SHIPMAN BLACKTOP)
SECTION 7RS-5
MACOUPIN COUNTY

S U M M A R Y O F Q U A N T I T I E S

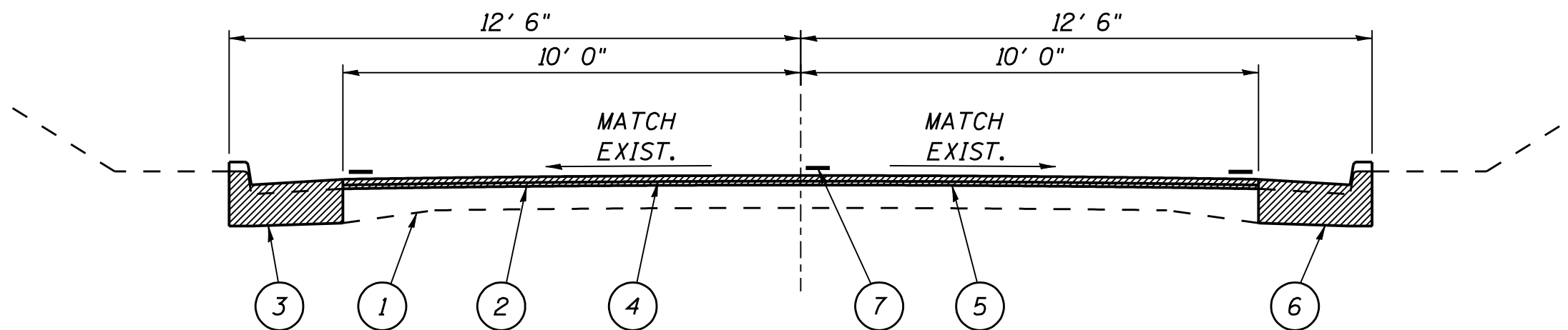
CODE NO.	ITEM	UNIT	100% STATE
			J000
			TOTAL QTY
70100460	TRAFFIC CONTROL AND PROTECTION STANDARD 701306	L SUM	1
70103815	TRAFFIC CONTROL SURVEILLANCE	CAL DA	6
70106500	TEMPORARY BRIDGE TRAFFIC SIGNALS	EACH	1
70300100	SHORT-TERM PAVEMENT MARKING	FOOT	194
70300230	TEMPORARY PAVEMENT MARKING - LINE 5"	FOOT	3,868
70301000	WORK ZONE PAVEMENT MARKING REMOVAL	SQ FT	33
* 78001120	PAINT PAVEMENT MARKING - LINE 5"	FOOT	3,868
* 78100100	RAISED REFLECTIVE PAVEMENT MARKER	EACH	12
78300100	PAVEMENT MARKING REMOVAL	SQ FT	283.4
X4066414	BITUMINOUS CONCRETE SURFACE COURSE, SUPERPAVE, MIX C, N50	TON	151
X4066765	LEVELING BINDER (MACHINE METHOD), SUPERPAVE N50	TON	98
X7200201	WIDTH RESTRICTION SINGING	L SUM	1
Z0017100	DOWEL BARS	EACH	136
Z0075300	TIE BARS	EACH	64
X0325250	PORTLAND CEMENT CONCRETE PAVEMENT 9" (SPECIAL)	SQ YD	356

*SPECIALTY ITEMS

QUANTITIES
FAS 735 (SHIPMAN BLACKTOP)
SECTION 7RS-5
MACOUPIN COUNTY



STA. 166+81.7 TO 168+41.7



STA. EQ. - 171+86.7bk = 173+60.0ah

STA. 162+20.7 TO 166+81.7
STA. 168+41.7 TO 171+86.7
STA. 173+60.0 TO 173+61.0

LEGEND

- 1 EXIST. P.C.C. PAVEMENT 9-6-9
- 2 EXIST. BITUMINOUS SURFACE REMOVAL - VARIABLE DEPTH
- 3 EXIST. BARRIER CURB AND GUTTER (T.B.R.)
- 4 PROP. BITUMINOUS SURFACE COURSE, SUPERPAVE, MIX C, N50 1 1/2"
- 5 PROP. LEVELING BINDER (MACHINE METHOD), SUPERPAVE N50 1"
- 6 PROP. COMBINATION CURB AND GUTTER (B6.24)
- 7 PROP. PAINT PAVEMENT STRIPING - LINE 5"
- 8 PROP. PAVEMENT REMOVAL (SPECIAL)
- 9 PROP. PORTLAND CEMENT CONCRETE PAVEMENT 9" (SPECIAL)

TYPICAL SECTIONS
FAS 735 (SHIPMAN BLACKTOP)
SECTION 7RS-5
MACOUPIN COUNTY

PAVEMENT MARKING SCHEDULE			
STATION	TYPE	PAINT PVT MK LINE 5"	
		WHITE	YELLOW
LT & RT 162+20.7 TO 173+61.0	EDGE LINE	1,934 FT	
LT & RT 162+20.7 TO 173+61.0	NO PASS		1,934 FT
TOTALS		1,934 FT	1,934 FT

CURB AND GUTTER REMOVAL	
STATION	
LT 164+33.2 TO 173+61.0	754.5 FT
RT 162+20.7 TO 173+61.0	967 FT
TOTALS	1,721.5

COMBINATION CURB AND GUTTER , TYPE B-6.24	
STATION	
LT 164+33.2 TO 173+61.0	754.5 FT
RT 162+20.7 TO 173+61.0	967 FT
TOTALS	1,721.5 FT

STA. EQ. 171+86.7bk = 173+60.0ah

MIXTURE REQUIREMENTS		
THE FOLLOWING MIXTURE REQUIREMENTS ARE APPLICABLE FOR THIS PROJECT		
MIXTURE USE(S):	B.C. S.C., SUPER, MIX C, N50	LEV. BIND. (M.M), SUPER, N50
AC/PG	PG 64-22	PG 64-22
RAP %: (MAX)	15%	20%
DESIGN AIR VOIDS:	4.0% @ N DESIGN = 50	4.0% @ N DESIGN = 50
MIXTURE COMP:	IL 9.5 OR 12.5	IL 9.5
FRICTION AGG:	MIX "C"	N/A

PORTLAND CEMENT CONCRETE PAVEMENT 9" (SPECIAL)	
STATION	
LT & RT 166+81.7 TO 168+41.7	356 SQ YD
TOTALS	356 SQ YD

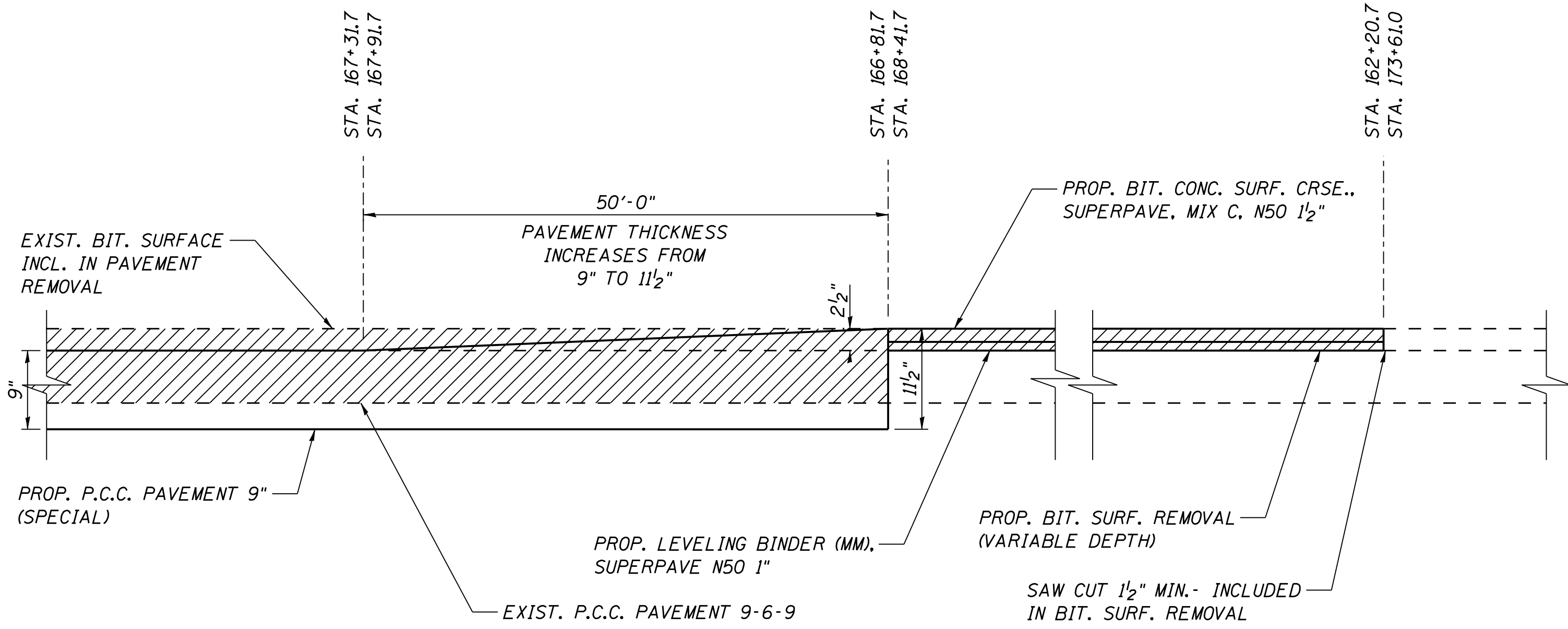
MANHOLES TO BE ADJUSTED	
STATION	
RT 5'-0" - STA. 168+30.0	1 EACH
TOTALS	1 EACH

PAVEMENT MARKING REMOVAL	
STATION	
LT & RT STA. 165+11.7 TO 166+71.7	141.7 SQ FT
LT & RT STA. 168+41.7 TO 170+11.7	141.7 SQ FT
TOTALS	283.4 SQ FT

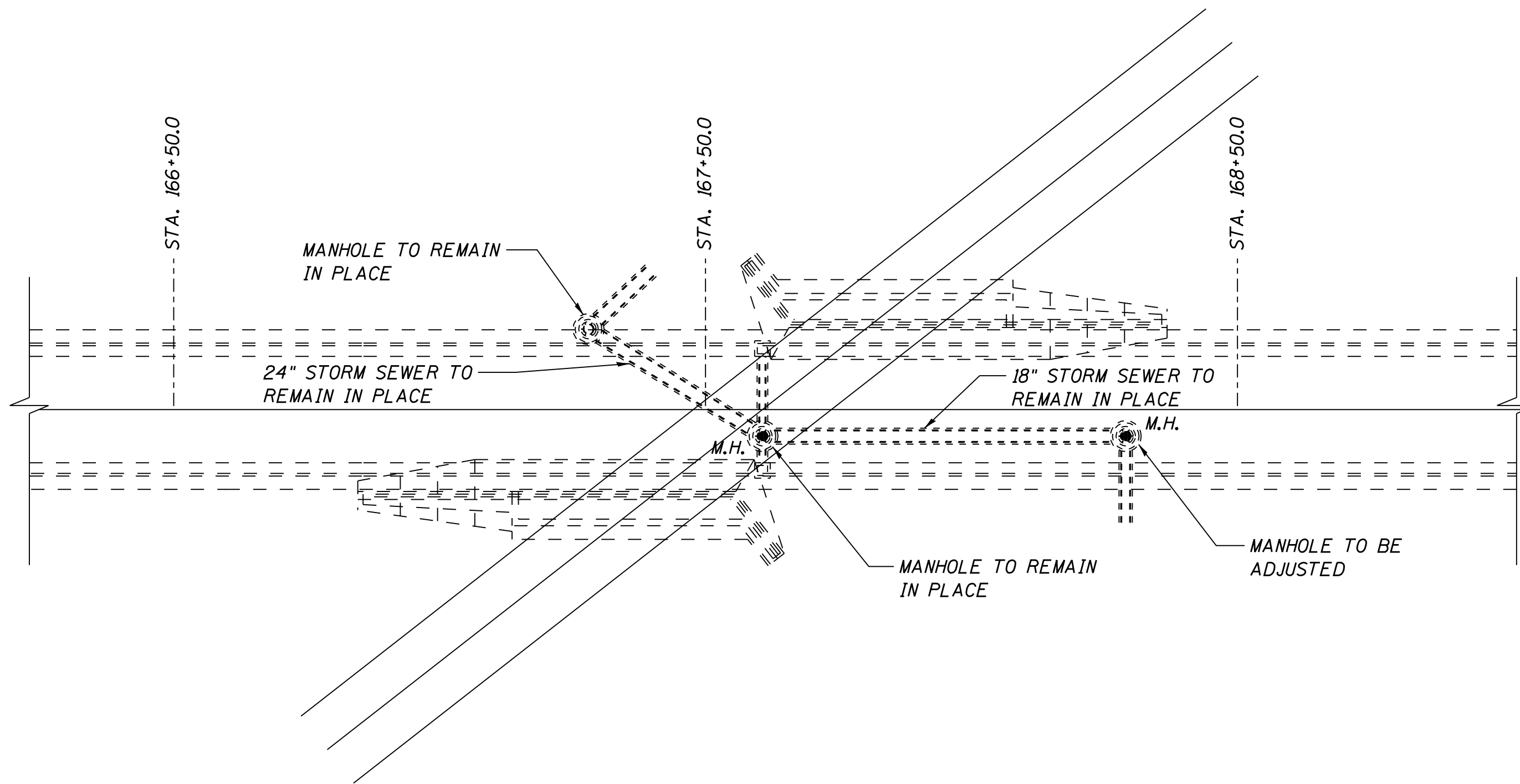
NOTES:

1. STATIONS ARE APPROXIMATE.

SCHEDULES
FAS 735 (SHIPMAN BLACKTOP)
SECTION TRS-5
MACOUPIN COUNTY

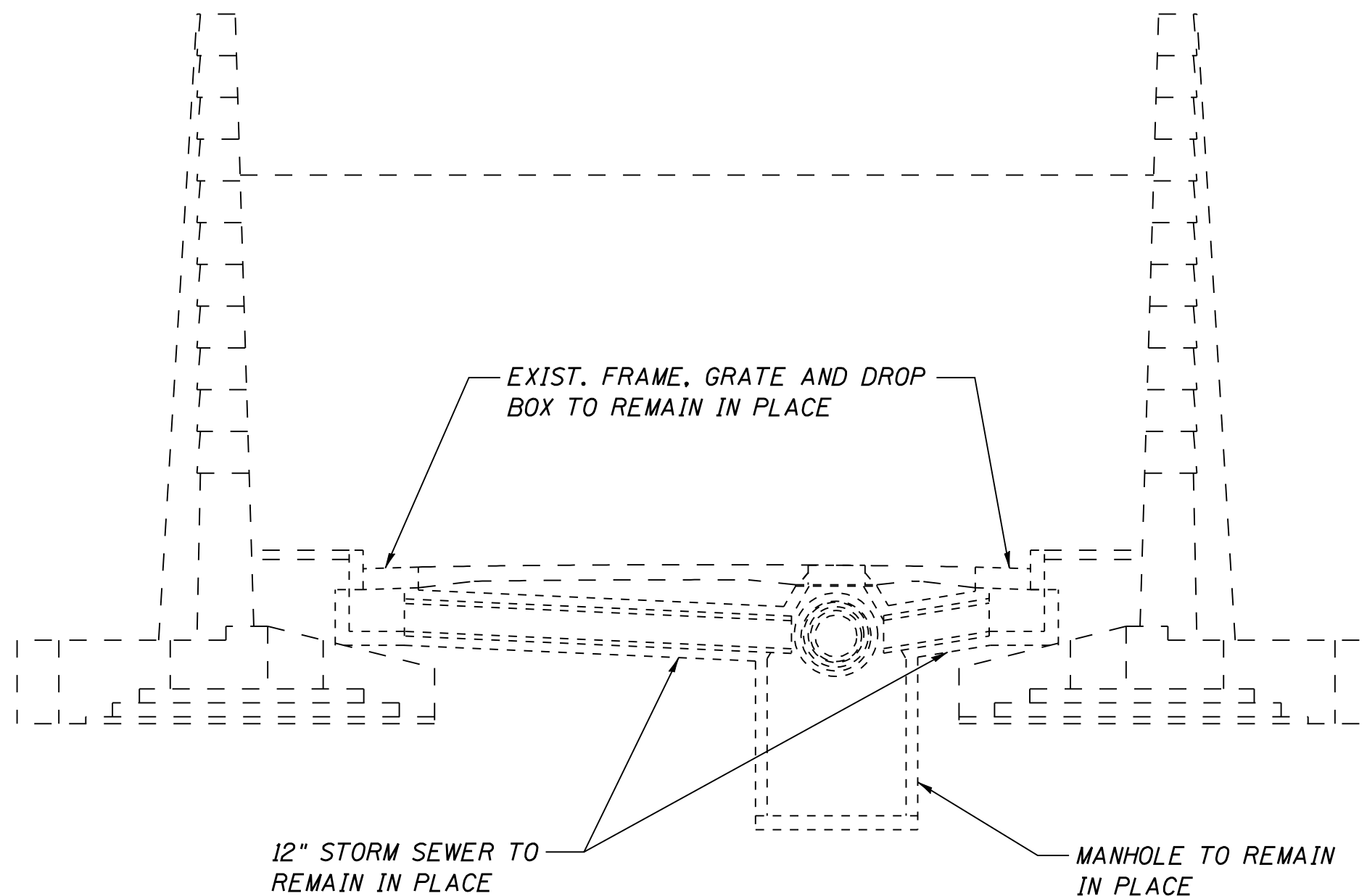


BUTT JOINT
FAS 735 (SHIPMAN BLACKTOP)
SECTION 7RS-5
MACOUPIN COUNTY



FOR REFERENCE PURPOSES ONLY

EXIST. STORM SEWER LAYOUT
FAS 735 (SHIPMAN BLACKTOP)
SECTION 7RS-5
MACOUPIN COUNTY



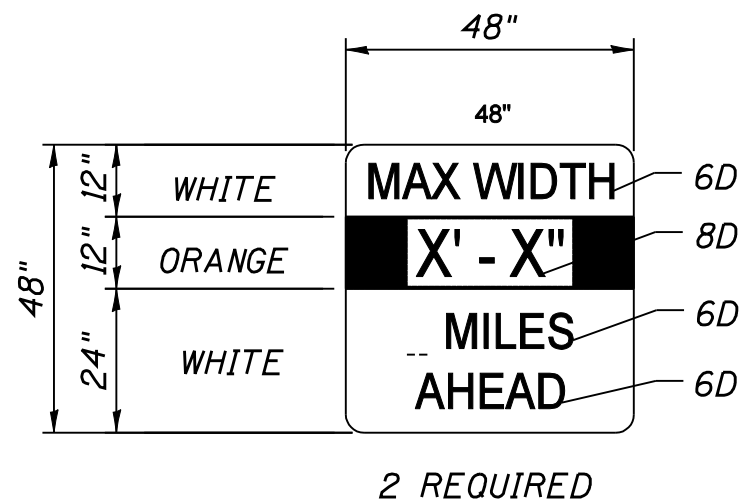
12" STORM SEWER TO
REMAIN IN PLACE

MANHOLE TO REMAIN
IN PLACE

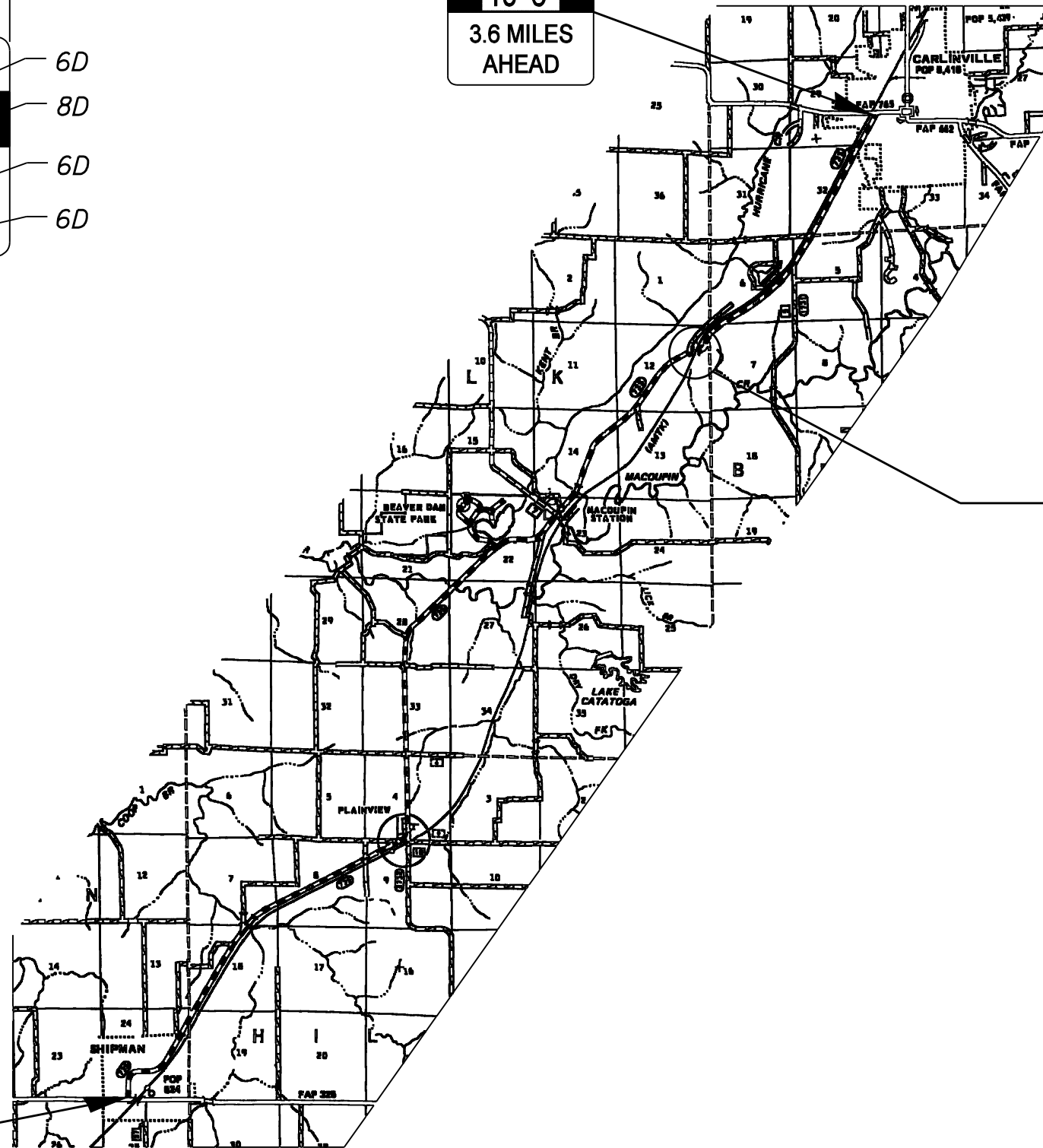
EXIST. FRAME, GRATE AND DROP
BOX TO REMAIN IN PLACE

FOR REFERENCE PURPOSES ONLY

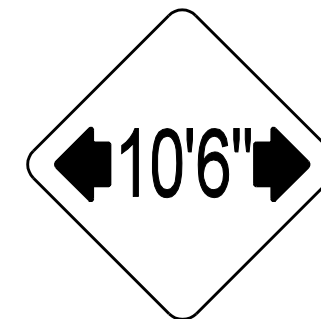
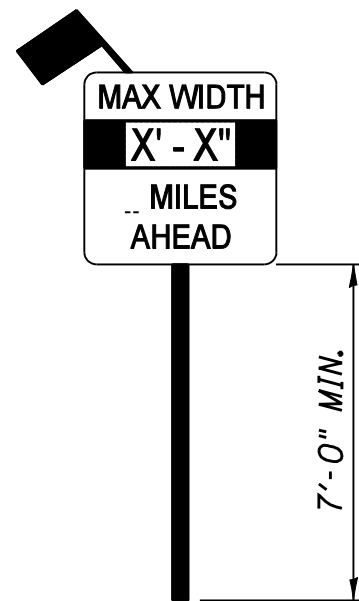
EXIST. STORM SEWER LAYOUT
FAS 735 (SHIPMAN BLACKTOP)
SECTION 7RS-5
MACOUPIN COUNTY



MAX WIDTH
10'-6"
3.6 MILES
AHEAD



PROJECT LOCATION
STATION 167+61.7



W12-2(0)-48
2 REQUIRED SEE TRAFFIC
CONTROL PLAN IN THE
SPECIAL PROVISION FOR
LOCATIONS

MAX WIDTH
10'-6"
11.3 MILES
AHEAD

MAX WIDTH SIGNAGE
FAS 735 (SHIPMAN BLACKTOP)
SECTION 7RS-5
MACOUPIN COUNTY