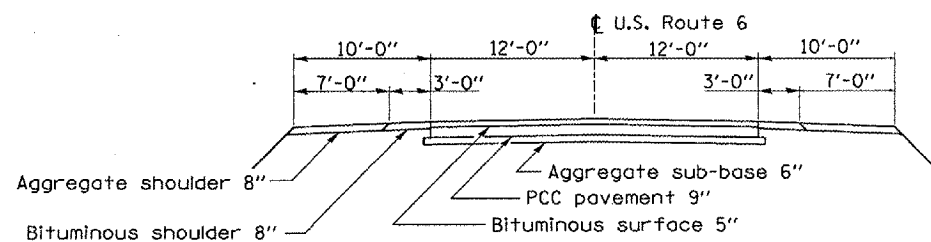


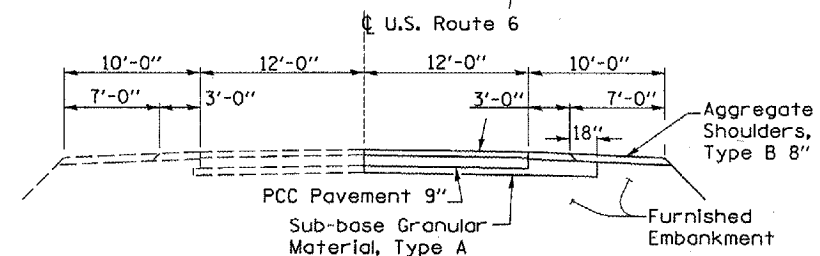
F.A.P. RTE.	SECTION	COUNTY	TOTAL SHEETS	SHEET NO.
623	(30)I-1	LASALLE	12	4
FED. ROAD DIST. NO. ILLINOIS				

BM #1 NORTHWEST CORNER HEADWALL ELEV. 100.00

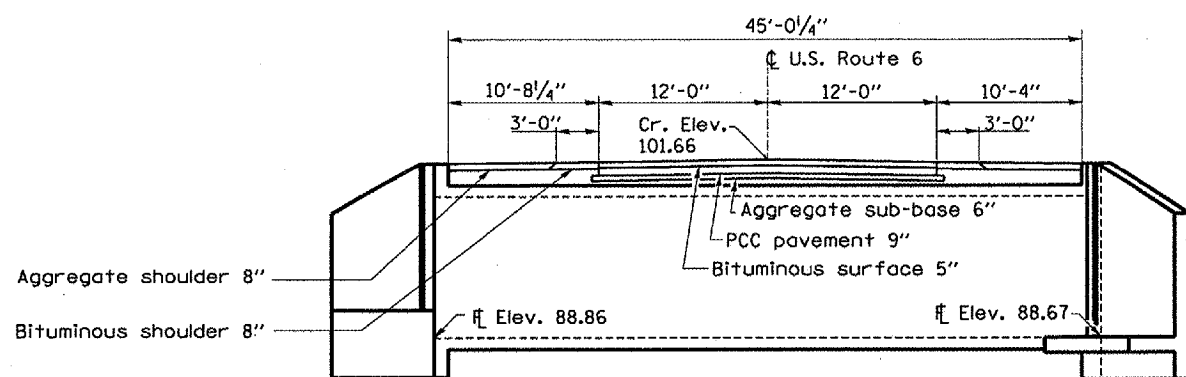


**EXISTING ROADWAY SECTION**  
**LOOKING WEST**

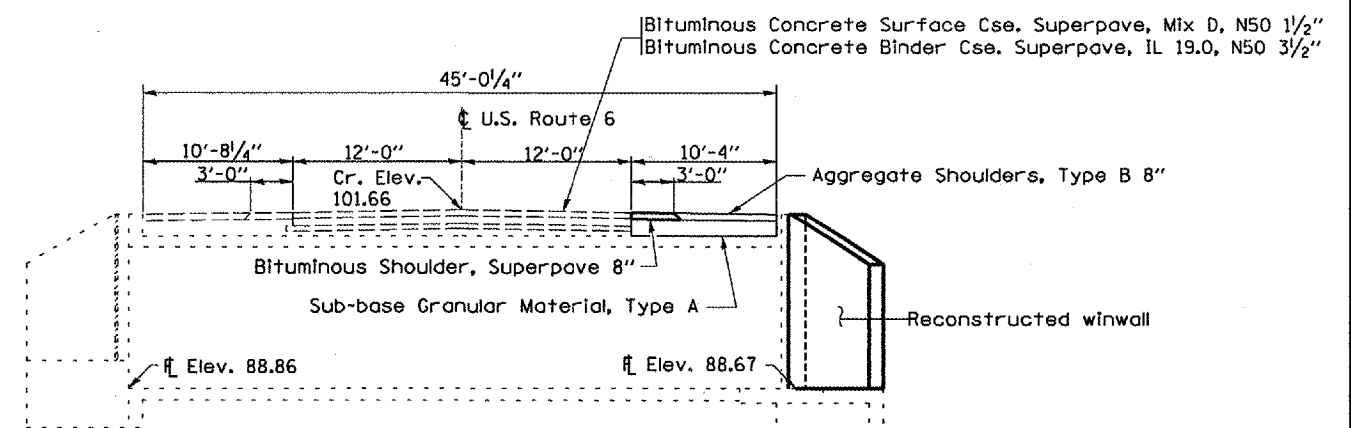
Bituminous Concrete Surface Cse. Superpave, Mix D, N50 1 1/2"  
Bituminous Concrete Binder Cse. Superpave, IL 19.0, N50 3 1/2"



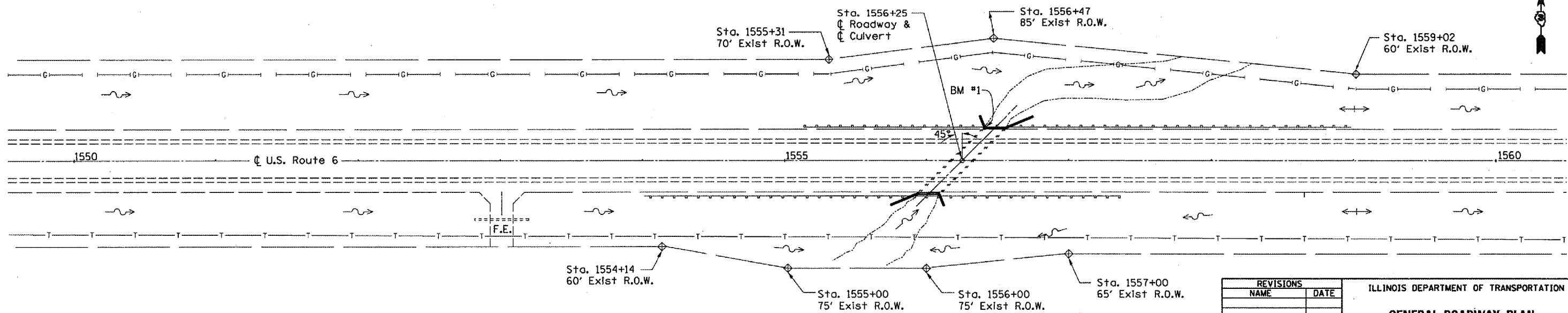
**PROPOSED ROADWAY SECTION**  
**LOOKING WEST**



**EXISTING ROADWAY SECTION**  
**AT BOX CULVERT**  
**LOOKING WEST**



**PROPOSED ROADWAY SECTION**  
**AT BOX CULVERT**  
**LOOKING WEST**



**PLAN**

REVISIONS	
NAME	DATE

ILLINOIS DEPARTMENT OF TRANSPORTATION  
**GENERAL ROADWAY PLAN**  
F.A.P. 623 (U.S. 6) SECTION (30)I-1  
LASALLE COUNTY  
STA. 1556 + 25  
DATE 12/20/2005 DRAWN BY RLW

Date: 11/07/2005  
File: c:\projects\main06\cm324\details.dgn