

**If you plan to submit a bid directly to the Department of Transportation**

**PREQUALIFICATION**

Any contractor who desires to become pre-qualified to bid on work advertised by IDOT must submit the properly completed pre-qualification forms to the Bureau of Construction no later than 4:30 p.m. prevailing time twenty-one days prior to the letting of interest. This pre-qualification requirement applies to first time contractors, contractors renewing expired ratings, contractors maintaining continuous pre-qualification or contractors requesting revised ratings. To be eligible to bid, existing pre-qualification ratings must be effective through the date of letting.

**REQUESTS FOR AUTHORIZATION TO BID**

Contractors downloading and/or ordering CD-ROM's and are wanting to bid on items included in a particular letting must submit the properly completed "Request for Authorization to Bid/or Not For Bid Status" (BDE 124INT) and the ORIGINAL, signed and notarized, "Affidavit of Availability" (BC 57) to the proper office no later than 4:30 p.m. prevailing time, three (3) days prior to the letting date.

**WHO CAN BID ?**

Bids will be accepted from only those companies that request and receive written **Authorization to Bid** from IDOT's Central Bureau of Construction.

**WHAT CONSTITUTES WRITTEN AUTHORIZATION TO BID?** When a prospective prime bidder submits a "Request for Authorization to Bid/or Not For Bid Status"(BDE 124INT) he/she must indicate at that time which items are being requested For Bidding purposes. Only those items requested For Bidding will be analyzed. After the request has been analyzed, the bidder will be issued a **Proposal Denial and/or Authorization Form**, approved by the Central Bureau of Construction, that indicates which items have been approved For Bidding. If **Authorization to Bid** cannot be approved, the **Proposal Denial and/or Authorization Form** will indicate the reason for denial.

**ABOUT AUTHORIZATION TO BID:** Firms that have not received an authorization form within a reasonable time of complete and correct original document submittal should contact the department as to status. This is critical in the week before the letting. These documents must be received three days before the letting date. Firms unsure as to authorization status should call the Prequalification Section of the Bureau of Construction at the number listed at the end of these instructions.

**ADDENDA AND REVISIONS:** It is the contractor's responsibility to determine which, if any, addenda or revisions pertain to any project they may be bidding. Failure to incorporate all relevant addenda or revisions may cause the bid to be declared unacceptable.

Each addendum will be placed with the contract number. Addenda and revisions will also be placed on the Addendum/Revision Checklist and each subscription service subscriber will be notified by e-mail of each addendum and revision issued.

The Internet is the Department's primary way of doing business. The subscription server e-mails are an added courtesy the Department provides. It is suggested that bidder check IDOT's website <http://www.dot.il.gov/desenv/delett.html> before submitting final bid information.

**IDOT is not responsible for any e-mail related failures.**

Addenda Questions may be directed to the Contracts Office at (217)782-7806 or [D&Econtracts@dot.il.gov](mailto:D&Econtracts@dot.il.gov)

Technical Questions about downloading these files may be directed to Tim Garman (217)524-1642 or [garmantr@dot.il.gov](mailto:garmantr@dot.il.gov).

**WHAT MUST BE INCLUDED WHEN BIDS ARE SUBMITTED?:** Bidders need not return the entire proposal when bids are submitted. That portion of the proposal that must be returned includes the following:

1. All documents from the Proposal Cover Sheet through the Proposal Bid Bond
2. Other special documentation and/or information that may be required by the contract special provisions

All proposal documents, including Proposal Guaranty Checks or Proposal Bid Bonds, should be stapled together to prevent loss when bids are processed by IDOT personnel.

**ABOUT SUBMITTING BIDS:** It is recommended that bidders deliver bids in person to insure they arrive at the proper location prior to the time specified for the receipt of bids. Any bid received at the place of letting after the time specified will not be accepted.

**WHO SHOULD BE CALLED IF ASSISTANCE IS NEEDED?**

<b>Questions Regarding</b>	<b>Call</b>
Prequalification and/or Authorization to Bid	(217)782-3413
Preparation and submittal of bids	(217)782-7806
Mailing of plans and proposals	(217)782-7806
Electronic plans and proposals	(217)524-1642

**ADDENDUMS AND REVISIONS TO THE PROPOSAL FORMS**

Planholders should verify that they have received and incorporated the addendum and/or revision prior to submitting their bid. Failure by the bidder to include an addendum could result in a bid being rejected as irregular.

# 115

RETURN WITH BID

Proposal Submitted By
Name
Address
City

## Letting April 28, 2006

BIDDERS NEED NOT RETURN THE ENTIRE PROPOSAL  
(See instructions inside front cover)

**NOTICE TO PROSPECTIVE BIDDERS**  
 This proposal can be used for bidding purposes  
 by only those companies that request and receive  
 written AUTHORIZATION TO BID from IDOT's  
 Central Bureau of Construction.  
 (SEE INSTRUCTIONS ON THE INSIDE OF COVER)

# Notice To Bidders, Specifications, Proposal, Contract and Contract Bond



**Illinois Department  
of Transportation**

Springfield, Illinois 62764

**Contract No. 64B86  
OGLE County  
Section (110,111)RS-4  
District 2 Construction Funds  
Route FAP 17**

PLEASE MARK THE APPROPRIATE BOX BELOW:

A Bid Bond is included.

A Cashier's Check or a Certified Check is included.

Plans Included  
Herein

Prepared by	
Checked by	S

(Printed by authority of the State of Illinois)

---

---

## INSTRUCTIONS

**ABOUT IDOT PROPOSALS:** All proposals issued by IDOT are potential bidding proposals. Each proposal contains all Certifications and Affidavits, a Proposal Signature Sheet and a Proposal Bid Bond required for Prime Contractors to submit a bid after written **Authorization to Bid** has been issued by IDOT's Central Bureau of Construction.

**WHO CAN BID?:** Bids will be accepted from only those companies that request and receive written **Authorization to Bid** from IDOT's Central Bureau of Construction. To request authorization, a potential bidder must complete and submit Part B of the Request for Authorization to Bid/or Not For Bid Status form (BDE 124 INT) and submit an original Affidavit of Availability (BC 57).

**WHAT CONSTITUTES WRITTEN AUTHORIZATION TO BID?:** When a prospective prime bidder submits a "Request for Proposal Forms and Plans" he/she must indicate at that time which items are being requested For Bidding purposes. Only those items requested For Bidding will be analyzed. After the request has been analyzed, the bidder will be issued a **Proposal Denial and/or Authorization Form**, approved by the Central Bureau of Construction, that indicates which items have been approved For Bidding. If **Authorization to Bid** cannot be approved, the **Proposal Denial and/or Authorization Form** will indicate the reason for denial. If a contractor has requested to bid but has not received a **Proposal Denial and/or Authorization Form**, they should contact the Central Bureau of Construction in advance of the letting date.

**WHAT MUST BE INCLUDED WHEN BIDS ARE SUBMITTED?:** Bidders need not return the entire proposal when bids are submitted. That portion of the proposal that must be returned includes the following:

1. All documents from the Proposal Cover Sheet through the Proposal Bid Bond
2. Other special documentation and/or information that may be required by the contract special provisions

All proposal documents, including Proposal Guaranty Checks or Proposal Bid Bonds, should be stapled together to prevent loss when bids are processed by IDOT personnel.

**ABOUT SUBMITTING BIDS:** It is recommended that bidders deliver bids in person to insure they arrive at the proper location prior to the time specified for the receipt of bids. Any bid received at the place of letting after the time specified will not be accepted.

### WHO SHOULD BE CALLED IF ASSISTANCE IS NEEDED?

Questions Regarding	Call
Prequalification and/or Authorization to Bid	217/782-3413
Preparation and submittal of bids	217/782-7806
Mailing of CD-ROMS	217/782-7806

RETURN WITH BID



PROPOSAL

TO THE DEPARTMENT OF TRANSPORTATION

1. Proposal of \_\_\_\_\_  
\_\_\_\_\_

Taxpayer Identification Number (Mandatory) \_\_\_\_\_

for the improvement identified and advertised for bids in the Invitation for Bids as:

**Contract No. 64B86**  
**OGLE County**  
**Section (110,111)RS-4**  
**Route FAP 17**  
**District 2 Construction Funds**

**7.99 miles of 24 foot bituminous resurfacing on IL Route 64 from Chana Road to IL Route 51.**

2. The undersigned bidder will furnish all labor, material and equipment to complete the above described project in a good and workmanlike manner as provided in the contract documents provided by the Department of Transportation. This proposal will become part of the contract and the terms and conditions contained in the contract documents shall govern performance and payments.

**RETURN WITH BID**

- 3. **ASSURANCE OF EXAMINATION AND INSPECTION/WAIVER.** The undersigned further declares that he/she has carefully examined the proposal, plans, specifications, form of contract and contract bond, and special provisions, and that he/she has inspected in detail the site of the proposed work, and that he/she has familiarized themselves with all of the local conditions affecting the contract and the detailed requirements of construction, and understands that in making this proposal he/she waives all right to plead any misunderstanding regarding the same.
  
- 4. **EXECUTION OF CONTRACT AND CONTRACT BOND.** The undersigned further agrees to execute a contract for this work and present the same to the department within fifteen (15) days after the contract has been mailed to him/her. The undersigned further agrees that he/she and his/her surety will execute and present within fifteen (15) days after the contract has been mailed to him/her contract bond satisfactory to and in the form prescribed by the Department of Transportation, in the penal sum of the full amount of the contract, guaranteeing the faithful performance of the work in accordance with the terms of the contract.
  
- 5. **PROPOSAL GUARANTY.** Accompanying this proposal is either a bid bond on the department form, executed by a corporate surety company satisfactory to the department, or a proposal guaranty check consisting of a bank cashier's check or a properly certified check for not less than 5 per cent of the amount bid or for the amount specified in the following schedule:

<u>Amount of Bid</u>		<u>Proposal Guaranty</u>	<u>Amount of Bid</u>		<u>Proposal Guaranty</u>	
Up to	\$5,000 .....	\$150	\$2,000,000	to	\$3,000,000 .....	\$100,000
\$5,000	to	\$300	\$3,000,000	to	\$5,000,000 .....	\$150,000
\$10,000	to	\$1,000	\$5,000,000	to	\$7,500,000 .....	\$250,000
\$50,000	to	\$3,000	\$7,500,000	to	\$10,000,000 .....	\$400,000
\$100,000	to	\$5,000	\$10,000,000	to	\$15,000,000 .....	\$500,000
\$150,000	to	\$7,500	\$15,000,000	to	\$20,000,000 .....	\$600,000
\$250,000	to	\$12,500	\$20,000,000	to	\$25,000,000 .....	\$700,000
\$500,000	to	\$25,000	\$25,000,000	to	\$30,000,000 .....	\$800,000
\$1,000,000	to	\$50,000	\$30,000,000	to	\$35,000,000 .....	\$900,000
\$1,500,000	to	\$75,000	over		\$35,000,000 .....	\$1,000,000

Bank cashier's checks or properly certified checks accompanying proposals shall be made payable to the Treasurer, State of Illinois, when the state is awarding authority; the county treasurer, when a county is the awarding authority; or the city, village, or town treasurer, when a city, village, or town is the awarding authority.

If a combination bid is submitted, the proposal guaranties which accompany the individual proposals making up the combination will be considered as also covering the combination bid.

The amount of the proposal guaranty check is \_\_\_\_\_ \$(\_\_\_\_\_). If this proposal is accepted and the undersigned shall fail to execute a contract bond as required herein, it is hereby agreed that the amount of the proposal guaranty shall become the property of the State of Illinois, and shall be considered as payment of damages due to delay and other causes suffered by the State because of the failure to execute said contract and contract bond; otherwise, the bid bond shall become void or the proposal guaranty check shall be returned to the undersigned.

**Attach Cashier's Check or Certified Check Here**

In the event that one proposal guaranty check is intended to cover two or more proposals, the amount must be equal to the sum of the proposal guaranties which would be required for each individual proposal. If the guaranty check is placed in another proposal, state below where it may be found.

The proposal guaranty check will be found in the proposal for:

Item \_\_\_\_\_

Section No. \_\_\_\_\_

County \_\_\_\_\_

**Mark the proposal cover sheet as to the type of proposal guaranty submitted.**

BD 354 (Rev. 11/2001)

**RETURN WITH BID**

6. **COMBINATION BIDS.** The undersigned further agrees that if awarded the contract for the sections contained in the following combination, he/she will perform the work in accordance with the requirements of each individual proposal comprising the combination bid specified in the schedule below, and that the combination bid shall be prorated against each section in proportion to the bid submitted for the same. If an error is found to exist in the gross sum bid for one or more of the individual sections included in a combination, the combination bid shall be corrected as provided in the specifications.

**When a combination bid is submitted, the schedule below must be completed in each proposal comprising the combination.**

**If alternate bids are submitted for one or more of the sections comprising the combination, a combination bid must be submitted for each alternate.**

**Schedule of Combination Bids**

Combination No.	Sections Included in Combination	Combination Bid	
		Dollars	Cents

7. **SCHEDULE OF PRICES.** The undersigned bidder submits herewith, in accordance with the rules and instructions, a schedule of prices for the items of work for which bids are sought. The unit prices bid are in U.S. dollars and cents, and all extensions and summations have been made. The bidder understands that the quantities appearing in the bid schedule are approximate and are provided for the purpose of obtaining a gross sum for the comparison of bids. If there is an error in the extension of the unit prices, the unit prices shall govern. Payment to the contractor awarded the contract will be made only for actual quantities of work performed and accepted or materials furnished according to the contract. The scheduled quantities of work to be done and materials to be furnished may be increased, decreased or omitted as provided elsewhere in the contract.

8. **CERTIFICATE OF AUTHORITY.** The undersigned bidder, if a business organized under the laws of another State, assures the Department that it will furnish a copy of its certificate of authority to do business in the State of Illinois with the return of the executed contract and bond. Failure to furnish the certificate within the time provided for execution of an awarded contract may be cause for cancellation of the award and forfeiture of the proposal guaranty to the State.

ILLINOIS DEPARTMENT OF TRANSPORTATION  
 SCHEDULE OF PRICES  
 CONTRACT  
 NUMBER -

64B86

State Job # - C-92-094-06  
 PPS NBR - 2-03320-0100  
 County Name - OGLE - -  
 Code - 141 - -  
 District - 2 - -  
 Section Number - (110,111)RS-4

Project Number

Route  
 FAP 17

Item Number	Pay Item Description	Unit of Measure	Quantity	x	Unit Price	=	Total Price
X4066414	BC SC SUPER "C" N50	TON	9,795.000				
X4066735	LEV BIND HM SUPER N50	TON	84.000				
X4080020	INCID BIT SUR SUP N50	TON	374.000				
Z0028415	GEOTECHNICAL REINF	SQ YD	493.000				
Z0028700	GRAN SUBGRADE REPL	CU YD	169.000				
Z0040315	PILOT CAR	DAY	6.000				
40600200	BIT MATLS PR CT	TON	35.000				
40600300	AGG PR CT	TON	184.000				
40600895	CONSTRUC TEST STRIP	EACH	1.000				
40600980	BIT SURF REM BUTT JT	SQ YD	1,289.000				
40600990	TEMPORARY RAMP	SQ YD	290.000				
40602000	BIT REPL OV PATCH SUP	TON	2,303.000				
44000006	BIT SURF REM 1 1/2	SQ YD	8,392.000				
44000132	BIT RM OV PATCH 8	SQ YD	5,055.000				
44200108	PAVT PATCH T2 9	SQ YD	424.000				



ILLINOIS DEPARTMENT OF TRANSPORTATION  
 SCHEDULE OF PRICES  
 CONTRACT  
 NUMBER -

64B86

State Job # - C-92-094-06  
 PPS NBR - 2-03320-0100  
 County Name - OGLE - -  
 Code - 141 - -  
 District - 2 - -  
 Section Number - (110,111)RS-4

Project Number

Route  
 FAP 17

Item Number	Pay Item Description	Unit of Measure	Quantity	x	Unit Price	=	Total Price
44200112	PAVT PATCH T3 9	SQ YD	26.000				
44200114	PAVT PATCH T4 9	SQ YD	56.000				
48101200	AGGREGATE SHLDS B	TON	1,819.000				
67000400	ENGR FIELD OFFICE A	CAL MO	5.000				
67100100	MOBILIZATION	L SUM	1.000				
70100450	TRAF CONT-PROT 701201	L SUM	1.000				
70100460	TRAF CONT-PROT 701306	L SUM	1.000				
70300100	SHORT-TERM PAVT MKING	FOOT	8,437.000				
70301000	WORK ZONE PAVT MK REM	SQ FT	1,392.000				
78000100	THPL PVT MK LTR & SYM	SQ FT	46.800				
78000200	THPL PVT MK LINE 4	FOOT	1,900.000				
78000500	THPL PVT MK LINE 8	FOOT	100.000				
78000600	THPL PVT MK LINE 12	FOOT	150.000				
78000650	THPL PVT MK LINE 24	FOOT	36.000				
78001110	PAINT PVT MK LINE 4	FOOT	228,939.000				

ILLINOIS DEPARTMENT OF TRANSPORTATION  
 SCHEDULE OF PRICES  
 CONTRACT  
 NUMBER - 64B86

State Job # - C-92-094-06  
 PPS NBR - 2-03320-0100  
 County Name - OGLE - -  
 Code - 141 - -  
 District - 2 - -  
 Section Number - (110,111)RS-4

Project Number

Route  
 FAP 17

Item Number	Pay Item Description	Unit of Measure	Quantity	x	Unit Price	=	Total Price
78100100	RAISED REFL PAVT MKR	EACH	553.000				
78300200	RAISED REF PVT MK REM	EACH	553.000				

**CONTRACT NUMBER**                    **64B86**

**THIS IS THE TOTAL BID**            **\$ \_\_\_\_\_**

**NOTES:**

1. Each PAY ITEM should have a UNIT PRICE and a TOTAL PRICE.
2. The UNIT PRICE shall govern if no TOTAL PRICE is shown or if there is a discrepancy between the product of the UNIT PRICE multiplied by the QUANTITY.
3. If a UNIT PRICE is omitted, the TOTAL PRICE will be divided by the QUANTITY in order to establish a UNIT PRICE.
4. A bid may be declared UNACCEPTABLE if neither a unit price nor a total price is shown.

## RETURN WITH BID

### **STATE REQUIRED ETHICAL STANDARDS GOVERNING CONTRACT PROCUREMENT: ASSURANCES, CERTIFICATIONS AND DISCLOSURES**

#### **I. GENERAL**

**A.** Article 50 of the Illinois Procurement Code establishes the duty of all State chief procurement officers, State purchasing officers, and their designees to maximize the value of the expenditure of public moneys in procuring goods, services, and contracts for the State of Illinois and to act in a manner that maintains the integrity and public trust of State government. In discharging this duty, they are charged by law to use all available information, reasonable efforts, and reasonable actions to protect, safeguard, and maintain the procurement process of the State of Illinois.

**B.** In order to comply with the provisions of Article 50 and to carry out the duty established therein, all bidders are to adhere to ethical standards established for the procurement process, and to make such assurances, disclosures and certifications required by law. By execution of the Proposal Signature Sheet, the bidder indicates that each of the mandated assurances has been read and understood, that each certification is made and understood, and that each disclosure requirement has been understood and completed.

**C.** In addition to all other remedies provided by law, failure to comply with any assurance, failure to make any disclosure or the making of a false certification shall be grounds for termination of the contract and the suspension or debarment of the bidder.

#### **II. ASSURANCES**

**A.** The assurances hereinafter made by the bidder are each a material representation of fact upon which reliance is placed should the Department enter into the contract with the bidder. The Department may terminate the contract if it is later determined that the bidder rendered a false or erroneous assurance, and the surety providing the performance bond shall be responsible for the completion of the contract.

##### **B. Felons**

1. The Illinois Procurement Code provides:

Section 50-10. Felons. Unless otherwise provided, no person or business convicted of a felony shall do business with the State of Illinois or any state agency from the date of conviction until 5 years after the date of completion of the sentence for that felony, unless no person held responsible by a prosecutorial office for the facts upon which the conviction was based continues to have any involvement with the business.

2. The bidder assures the Department that the award and execution of the contract would not cause a violation of Section 50-10.

##### **C. Conflicts of Interest**

1. The Illinois Procurement Code provides in pertinent part:

Section 50-13. Conflicts of Interest.

(a) Prohibition. It is unlawful for any person holding an elective office in this State, holding a seat in the General Assembly, or appointed to or employed in any of the offices or agencies of state government and who receives compensation for such employment in excess of 60% of the salary of the Governor of the State of Illinois, or who is an officer or employee of the Capital Development Board or the Illinois Toll Highway Authority, or who is the spouse or minor child of any such person to have or acquire any contract, or any direct pecuniary interest in any contract therein, whether for stationery, printing, paper, or any services, materials, or supplies, that will be wholly or partially satisfied by the payment of funds appropriated by the General Assembly of the State of Illinois or in any contract of the Capital Development Board or the Illinois Toll Highway authority.

(b) Interests. It is unlawful for any firm, partnership, association or corporation, in which any person listed in subsection (a) is entitled to receive (i) more than 7 1/2% of the total distributable income or (ii) an amount in excess of the salary of the Governor, to have or acquire any such contract or direct pecuniary interest therein.

(c) Combined interests. It is unlawful for any firm, partnership, association, or corporation, in which any person listed in subsection (a) together with his or her spouse or minor children is entitled to receive (i) more than 15%, in the aggregate, of the total distributable income or (ii) an amount in excess of 2 times the salary of the Governor, to have or acquire any such contract or direct pecuniary interest therein.

(d) Securities. Nothing in this Section invalidates the provisions of any bond or other security previously offered or to be offered for sale or sold by or for the State of Illinois.

(e) Prior interests. This Section does not affect the validity of any contract made between the State and an officer or employee of the State or member of the General Assembly, his or her spouse, minor child or any combination of those persons if that contract was in existence before his or her election or employment as an officer, member, or employee. The contract is voidable, however, if it cannot be completed within 365 days after the officer, member, or employee takes office or is employed.

The current salary of the Governor is \$150,700.00. Sixty percent of the salary is \$90,420.00.

## RETURN WITH BID

2. The bidder assures the Department that the award and execution of the contract would not cause a violation of Section 50-13, or that an effective exemption has been issued by the Board of Ethics to any individual subject to the Section 50-13 prohibitions pursuant to the provisions of Section 50-20 of the Code and Executive Order Number 3 (1998). Information concerning the exemption process is available from the Department upon request.

### **D. Negotiations**

1. The Illinois Procurement Code provides in pertinent part:

Section 50-15. Negotiations.

(a) It is unlawful for any person employed in or on a continual contractual relationship with any of the offices or agencies of State government to participate in contract negotiations on behalf of that office or agency with any firm, partnership, association, or corporation with whom that person has a contract for future employment or is negotiating concerning possible future employment.

2. The bidder assures the Department that the award and execution of the contract would not cause a violation of Section 50-15, and that the bidder has no knowledge of any facts relevant to the kinds of acts prohibited therein.

### **E. Inducements**

1. The Illinois Procurement Code provides:

Section 50-25. Inducement. Any person who offers or pays any money or other valuable thing to any person to induce him or her not to bid for a State contract or as recompense for not having bid on a State contract is guilty of a Class 4 felony. Any person who accepts any money or other valuable thing for not bidding for a State contract or who withholds a bid in consideration of the promise for the payment of money or other valuable thing is guilty of a Class 4 felony.

2. The bidder assures the Department that the award and execution of the contract would not cause a violation of Section 50-25, and that the bidder has no knowledge of any facts relevant to the kinds of acts prohibited therein.

### **F. Revolving Door Prohibition**

1. The Illinois Procurement Code provides:

Section 50-30. Revolving door prohibition. Chief procurement officers, associate procurement officers, State purchasing officers, their designees whose principal duties are directly related to State procurement, and executive officers confirmed by the Senate are expressly prohibited for a period of 2 years after terminating an affected position from engaging in any procurement activity relating to the State agency most recently employing them in an affected position for a period of at least 6 months. The prohibition includes, but is not limited to: lobbying the procurement process; specifying; bidding; proposing bid, proposal, or contract documents; on their own behalf or on behalf of any firm, partnership, association, or corporation. This Section applies only to persons who terminate an affected position on or after January 15, 1999.

2. The bidder assures the Department that the award and execution of the contract would not cause a violation of Section 50-30, and that the bidder has no knowledge of any facts relevant to the kinds of acts prohibited therein.

### **G. Reporting Anticompetitive Practices**

1. The Illinois Procurement Code provides:

Section 50-40. Reporting anticompetitive practices. When, for any reason, any vendor, bidder, contractor, chief procurement officer, State purchasing officer, designee, elected official, or State employee suspects collusion or other anticompetitive practice among any bidders, offerors, contractors, proposers, or employees of the State, a notice of the relevant facts shall be transmitted to the Attorney General and the chief procurement officer.

2. The bidder assures the Department that it has not failed to report any relevant facts concerning the practices addressed in Section 50-40 which may involve the contract for which the bid is submitted.

### **H. Confidentiality**

1. The Illinois Procurement Code provides:

Section 50-45. Confidentiality. Any chief procurement officer, State purchasing officer, designee, or executive officer who willfully uses or allows the use of specifications, competitive bid documents, proprietary competitive information, proposals, contracts, or selection information to compromise the fairness or integrity of the procurement, bidding, or contract process shall be subject to immediate dismissal, regardless of the Personnel code, any contract, or any collective bargaining agreement, and may in addition be subject to criminal prosecution.

2. The bidder assures the Department that it has no knowledge of any fact relevant to the practices addressed in Section 50-45 which may involve the contract for which the bid is submitted.

## RETURN WITH BID

### **I. Insider Information**

1. The Illinois Procurement Act provides:

Section 50-50. Insider information. It is unlawful for any current or former elected or appointed State official or State employee to knowingly use confidential information available only by virtue of that office or employment for actual or anticipated gain for themselves or another person.

2. The bidder assures the Department that it has no knowledge of any facts relevant to the practices addressed in Section 50-50 which may involve the contract for which the bid is submitted.

### **III. CERTIFICATIONS**

**A.** The certifications hereinafter made by the bidder are each a material representation of fact upon which reliance is placed should the Department enter into the contract with the bidder. The Department may terminate the contract if it is later determined that the bidder rendered a false or erroneous certification, and the surety providing the performance bond shall be responsible for completion of the contract.

#### **B. Bribery**

1. The Illinois Procurement Code provides:

Section 50-5. Bribery.

(a) Prohibition. No person or business shall be awarded a contract or subcontract under this Code who:

(1) has been convicted under the laws of Illinois or any other state of bribery or attempting to bribe an officer or employee of the State of Illinois or any other state in that officer's or employee's official capacity; or

(2) has made an admission of guilt of that conduct that is a matter of record but has not been prosecuted for that conduct.

(b) Businesses. No business shall be barred from contracting with any unit of State or local government as a result of a conviction under this Section of any employee or agent of the business if the employee or agent is no longer employed by the business and:

(1) the business has been finally adjudicated not guilty; or

(2) the business demonstrates to the governmental entity with which it seeks to contract, and that entity finds that the commission of the offense was not authorized, requested, commanded, or performed by a director, officer, or high managerial agent on behalf of the business as provided in paragraph (2) of subsection (a) of Section 5-4 of the Criminal Code of 1961.

(c) Conduct on behalf of business. For purposes of this Section, when an official, agent, or employee of a business committed the bribery or attempted bribery on behalf of the business and in accordance with the direction or authorization of a responsible official of the business, the business shall be chargeable with the conduct.

(d) Certification. Every bid submitted to and contract executed by the State shall contain a certification by the contractor that the contractor is not barred from being awarded a contract or subcontract under this Section. A contractor who makes a false statement, material to the certification, commits a Class 3 felony.

2. The bidder certifies that it is not barred from being awarded a contract under Section 50.5.

#### **C. Educational Loan**

1. Section 3 of the Educational Loan Default Act provides:

§ 3. No State agency shall contract with an individual for goods or services if that individual is in default, as defined in Section 2 of this Act, on an educational loan. Any contract used by any State agency shall include a statement certifying that the individual is not in default on an educational loan as provided in this Section.

2. The bidder, if an individual as opposed to a corporation, partnership or other form of business organization, certifies that the bidder is not in default on an educational loan as provided in Section 3 of the Act.

#### **D. Bid-Rigging/Bid Rotating**

1. Section 33E-11 of the Criminal Code of 1961 provides:

§ 33E-11. (a) Every bid submitted to and public contract executed pursuant to such bid by the State or a unit of local government shall contain a certification by the prime contractor that the prime contractor is not barred from contracting with any unit of State or local government as a result of a violation of either Section 33E-3 or 33E-4 of this Article. The State and units of local government shall provide the appropriate forms for such certification.

## RETURN WITH BID

(b) A contractor who makes a false statement, material to the certification, commits a Class 3 felony.

A violation of Section 33E-3 would be represented by a conviction of the crime of bid-rigging which, in addition to Class 3 felony sentencing, provides that any person convicted of this offense or any similar offense of any state or the United States which contains the same elements as this offense shall be barred for 5 years from the date of conviction from contracting with any unit of State or local government. No corporation shall be barred from contracting with any unit of State or local government as a result of a conviction under this Section of any employee or agent of such corporation if the employee so convicted is no longer employed by the corporation and: (1) it has been finally adjudicated not guilty or (2) if it demonstrates to the governmental entity with which it seeks to contract and that entity finds that the commission of the offense was neither authorized, requested, commanded, nor performed by a director, officer or a high managerial agent in behalf of the corporation.

A violation of Section 33E-4 would be represented by a conviction of the crime of bid-rotating which, in addition to Class 2 felony sentencing, provides that any person convicted of this offense or any similar offense of any state or the United States which contains the same elements as this offense shall be permanently barred from contracting with any unit of State or local government. No corporation shall be barred from contracting with any unit of State or local government as a result of a conviction under this Section of any employee or agent of such corporation if the employee so convicted is no longer employed by the corporation and: (1) it has been finally adjudicated not guilty or (2) if it demonstrates to the governmental entity with which it seeks to contract and that entity finds that the commission of the offense was neither authorized, requested, commanded, nor performed by a director, officer or a high managerial agent in behalf of the corporation.

2. The bidder certifies that it is not barred from contracting with the Department by reason of a violation of either Section 33E-3 or Section 33E-4.

### **E. International Anti-Boycott**

1. Section 5 of the International Anti-Boycott Certification Act provides:

§ 5. State contracts. Every contract entered into by the State of Illinois for the manufacture, furnishing, or purchasing of supplies, material, or equipment or for the furnishing of work, labor, or services, in an amount exceeding the threshold for small purchases according to the purchasing laws of this State or \$10,000.00, whichever is less, shall contain certification, as a material condition of the contract, by which the contractor agrees that neither the contractor nor any substantially-owned affiliated company is participating or shall participate in an international boycott in violation of the provisions of the U.S. Export Administration Act of 1979 or the regulations of the U.S. Department of Commerce promulgated under that Act.

2. The bidder makes the certification set forth in Section 5 of the Act.

### **F. Drug Free Workplace**

1. The Illinois "Drug Free Workplace Act" applies to this contract and it is necessary to comply with the provisions of the "Act" if the contractor is a corporation, partnership, or other entity (including a sole proprietorship) which has 25 or more employees.

2. The bidder certifies that if awarded a contract in excess of \$5,000 it will provide a drug free workplace by:

(a) Publishing a statement notifying employees that the unlawful manufacture, distribution, dispensation, possession or use of a controlled substance, including cannabis, is prohibited in the contractor's workplace; specifying the actions that will be taken against employees for violations of such prohibition; and notifying the employee that, as a condition of employment on such contract, the employee shall abide by the terms of the statement, and notify the employer of any criminal drug statute conviction for a violation occurring in the workplace no later than five (5) days after such conviction.

(b) Establishing a drug free awareness program to inform employees about the dangers of drug abuse in the workplace; the contractor's policy of maintaining a drug free workplace; any available drug counseling, rehabilitation, and employee assistance programs; and the penalties that may be imposed upon employees for drug violations.

(c) Providing a copy of the statement required by subparagraph (1) to each employee engaged in the performance of the contract and to post the statement in a prominent place in the workplace.

(d) Notifying the Department within ten (10) days after receiving notice from an employee or otherwise receiving actual notice of the conviction of an employee for a violation of any criminal drug statute occurring in the workplace.

(e) Imposing or requiring, within 30 days after receiving notice from an employee of a conviction or actual notice of such a conviction, an appropriate personnel action, up to and including termination, or the satisfactory participation in a drug abuse assistance or rehabilitation program approved by a federal, state or local health, law enforcement or other appropriate agency.

(f) Assisting employees in selecting a course of action in the event drug counseling, treatment, and rehabilitation is required and indicating that a trained referral team is in place.

(g) Making a good faith effort to continue to maintain a drug free workplace through implementation of the actions and efforts stated in this certification.

**G. Debt Delinquency**

1. The Illinois Procurement Code provides:

Section 50-11 and 50-12. Debt Delinquency.

The contractor or bidder certifies that it, or any affiliate, is not barred from being awarded a contract under 30 ILCS 500. Section 50-11 prohibits a person from entering into a contract with a State agency if it knows or should know that it, or any affiliate, is delinquent in the payment of any debt to the State as defined by the Debt Collection Board. Section 50-12 prohibits a person from entering into a contract with a State agency if it, or any affiliate, has failed to collect and remit Illinois Use Tax on all sales of tangible personal property into the State of Illinois in accordance with the provisions of the Illinois Use Tax Act. The contractor further acknowledges that the contracting State agency may declare the contract void if this certification is false or if the contractor, or any affiliate, is determined to be delinquent in the payment of any debt to the State during the term of the contract.

**H. Sarbanes-Oxley Act of 2002**

1. The Illinois Procurement Code provides:

Section 50-60(c).

The contractor certifies in accordance with 30 ILCS 500/50-10.5 that no officer, director, partner or other managerial agent of the contracting business has been convicted of a felony under the Sarbanes-Oxley Act of 2002 or a Class 3 or Class 2 felony under the Illinois Securities Law of 1953 for a period of five years prior to the date of the bid or contract. The contractor acknowledges that the contracting agency shall declare the contract void if this certification is false.

**I. ADDENDA**

The contractor or bidder certifies that all relevant addenda have been incorporated in to this contract. Failure to do so may cause the bid to be declared unacceptable.

**J. Section 42 of the Environmental Protection Act**

The contractor certifies in accordance with 30 ILCS 500/50-12 that the bidder or contractor is not barred from being awarded a contract under this Section which prohibits the bidding on or entering into contracts with the State of Illinois or a State agency by a person or business found by a court or the Pollution Control Board to have committed a willful or knowing violation of Section 42 of the Environmental Protection Act for a period of five years from the date of the order. The contractor acknowledges that the contracting agency may declare the contract void if this certification is false.

**K. Apprenticeship and Training Certification (Does not apply to federal aid projects)**

In accordance with the provisions of Section 30-22 (6) of the Illinois Procurement Code, the bidder certifies that it is a participant, either as an individual or as part of a group program, in the approved apprenticeship and training programs applicable to each type of work or craft that the bidder will perform with its own forces. The bidder further certifies for work that will be performed by subcontract that each of its subcontractors submitted for approval either (a) is, at the time of such bid, participating in an approved, applicable apprenticeship and training program; or (b) will, prior to commencement of performance of work pursuant to this contract, begin participation in an approved apprenticeship and training program applicable to the work of the subcontract. The Department, at any time before or after award, may require the production of a copy of each applicable Certificate of Registration issued by the United States Department of Labor evidencing such participation by the contractor and any or all of its subcontractors. Applicable apprenticeship and training programs are those that have been approved and registered with the United States Department of Labor. The bidder shall list in the space below, the official name of the program sponsor holding the Certificate of Registration for all of the types of work or crafts in which the bidder is a participant and that will be performed with the bidder's forces. Types of work or craft work that will be subcontracted shall be included and listed as subcontract work. The list shall also indicate any type of work or craft job category that does not have an applicable apprenticeship or training program. **The bidder is responsible for making a complete report and shall make certain that each type of work or craft job category that will be utilized on the project as reported on the Construction Employee Workforce Projection (Form BC-1256) and returned with the bid is accounted for and listed.**

---

---

---

The requirements of this certification and disclosure are a material part of the contract, and the contractor shall require this certification provision to be included in all approved subcontracts. In order to fulfill this requirement, it shall not be necessary that an applicable program sponsor be currently taking or that it will take applications for apprenticeship, training or employment during the performance of the work of this contract.



**TO BE RETURNED WITH BID**

**IV. DISCLOSURES**

**A.** The disclosures hereinafter made by the bidder are each a material representation of fact upon which reliance is placed should the Department enter into the contract with the bidder. The Department may terminate the contract if it is later determined that the bidder rendered a false or erroneous disclosure, and the surety providing the performance bond shall be responsible for completion of the contract.

**B. Financial Interests and Conflicts of Interest**

1. Section 50-35 of the Illinois Procurement Code provides that all bids of more than \$10,000 shall be accompanied by disclosure of the financial interests of the bidder. This disclosed information for the successful bidder, will be maintained as public information subject to release by request pursuant to the Freedom of Information Act.

The financial interests to be disclosed shall include ownership or distributive income share that is in excess of 5%, or an amount greater than 60% of the annual salary of the Governor, of the bidding entity or its parent entity, whichever is less, unless the contractor or bidder is a publicly traded entity subject to Federal 10K reporting, in which case it may submit its 10K disclosure in place of the prescribed disclosure. If a bidder is a privately held entity that is exempt from Federal 10K reporting, but has more than 400 shareholders, it may submit the information that Federal 10K companies are required to report, and list the names of any person or entity holding any ownership share that is in excess of 5%. The disclosure shall include the names, addresses, and dollar or proportionate share of ownership of each person making the disclosure, their instrument of ownership or beneficial relationship, and notice of any potential conflict of interest resulting from the current ownership or beneficial interest of each person making the disclosure having any of the relationships identified in Section 50-35 and on the disclosure form.

In addition, all disclosures shall indicate any other current or pending contracts, proposals, leases, or other ongoing procurement relationships the bidding entity has with any other unit of state government and shall clearly identify the unit and the contract, proposal, lease, or other relationship.

2. Disclosure Forms. Disclosure Form A is attached for use concerning the individuals meeting the above ownership or distributive share requirements. Subject individuals should be covered each by one form. In addition, a second form (Disclosure Form B) provides for the disclosure of current or pending procurement relationships with other (non-IDOT) state agencies. **The forms must be included with each bid or incorporated by reference.**

**C. Disclosure Form Instructions**

**Form A: For bidders that have previously submitted the information requested in Form A**

The Department has retained the Form A disclosures submitted by all bidders responding to these requirements for the April 24, 1998 or any subsequent letting conducted by the Department. The bidder has the option of submitting the information again or the bidder may sign the following certification statement indicating that the information previously submitted by the bidder is, as of the date of signature, current and accurate. The Certification must be signed and dated by a person who is authorized to execute contracts for the bidding company. Before signing this certification, the bidder should carefully review its prior submissions to ensure the Certification is correct. If the Bidder signs the Certification, the Bidder should proceed to Form B instructions.

**CERTIFICATION STATEMENT**

**I have determined that the Form A disclosure information previously submitted is current and accurate, and all forms are hereby incorporated by reference in this bid. Any necessary additional forms or amendments to previously submitted forms are attached to this bid.**

\_\_\_\_\_  
(Bidding Company)

\_\_\_\_\_  
Name of Authorized Representative (type or print)

\_\_\_\_\_  
Title of Authorized Representative (type or print)

\_\_\_\_\_  
Signature of Authorized Representative

\_\_\_\_\_  
Date

**Form A: For bidders who have NOT previously submitted the information requested in Form A**

If the bidder is a publicly traded entity subject to Federal 10K reporting, the 10K Report may be submitted to meet the requirements of Form A. If a bidder is a privately held entity that is exempt from Federal 10K reporting, but has more than 400 shareholders, it may submit the information that Federal 10K companies are required to report, and list the names of any person or entity holding any ownership share that is in excess of 5%. If a bidder is not subject to Federal 10K reporting, the bidder must determine if any individuals are required by law to complete a financial disclosure form. To do this, the bidder should answer each of the following questions. A "YES" answer indicates Form A must be completed. If the answer to each of the following questions is "NO", then the NOT APPLICABLE STATEMENT on the second page of Form A must be signed and dated by a person that is authorized to execute contracts for the bidding company. Note: These questions are for assistance only and are not required to be completed.

1. Does anyone in your organization have a direct or beneficial ownership share of greater than 5% of the bidding entity or parent entity? YES \_\_\_ NO \_\_\_
2. Does anyone in your organization have a direct or beneficial ownership share of less than 5%, but which has a value greater than \$90,420.00? YES \_\_\_ NO \_\_\_
3. Does anyone in your organization receive more than \$90,420.00 of the bidding entity's or parent entity's distributive income? (Note: Distributive income is, for these purposes, any type of distribution of profits. An annual salary is not distributive income.) YES \_\_\_ NO \_\_\_
4. Does anyone in your organization receive greater than 5% of the bidding entity's or parent entity's total distributive income, but which is less than \$90,420.00? YES \_\_\_ NO \_\_\_

(Note: Only one set of forms needs to be completed per person per bid even if a specific individual would require a yes answer to more than one question.)

A "YES" answer to any of these questions requires the completion of Form A. The bidder must determine each individual in the bidding entity or the bidding entity's parent company that would cause the questions to be answered "Yes". Each form must be signed and dated by a person that is authorized to execute contracts for your organization. **Photocopied or stamped signatures are not acceptable.** The person signing can be, but does not have to be, the person for which the form is being completed. The bidder is responsible for the accuracy of any information provided.

If the answer to each of the above questions is "NO", then the NOT APPLICABLE STATEMENT on page 2 of Form A must be signed and dated by a person that is authorized to execute contracts for your company.

**Form B: Identifying Other Contracts & Procurement Related Information** Disclosure Form B must be completed for each bid submitted by the bidding entity. It must be signed by an individual who is authorized to execute contracts for the bidding entity. *Note: Signing the NOT APPLICABLE STATEMENT on Form A does not allow the bidder to ignore Form B. Form B must be completed, signed and dated or the bidder may be considered nonresponsive and the bid will not be accepted.*

The Bidder shall identify, by checking Yes or No on Form B, whether it has any pending contracts (including leases), bids, proposals, or other ongoing procurement relationship with any other (non-IDOT) State of Illinois agency. If "No" is checked, the bidder only needs to complete the signature box on the bottom of Form B. If "Yes" is checked, the bidder must do one of the following:

Option I: If the bidder did not submit an Affidavit of Availability to obtain authorization to bid, the bidder must list all non-IDOT State of Illinois agency pending contracts, leases, bids, proposals, and other ongoing procurement relationships. These items may be listed on Form B or on an attached sheet(s). Do not include IDOT contracts. Contracts with cities, counties, villages, etc. are not considered State of Illinois agency contracts and are not to be included. Contracts with other State of Illinois agencies such as the Department of Natural Resources or the Capital Development Board must be included. Bidders who submit Affidavits of Availability are suggested to use Option II.

Option II: If the bidder is required and has submitted an Affidavit of Availability in order to obtain authorization to bid, the bidder may write or type "See Affidavit of Availability" which indicates that the Affidavit of Availability is incorporated by reference and includes all non-IDOT State of Illinois agency pending contracts, leases, bids, proposals, and other ongoing procurement relationships. For any contracts that are not covered by the Affidavit of Availability, the bidder must identify them on Form B or on an attached sheet(s). These might be such things as leases.

**D. Bidders Submitting More Than One Bid**

Bidders submitting multiple bids may submit one set of forms consisting of all required Form A disclosures and one Form B for use with all bids. Please indicate in the space provided below the bid item that contains the original disclosure forms and the bid items which incorporate the forms by reference.

- The bid submitted for letting item \_\_\_\_\_ contains the Form A disclosures or Certification Statement and the Form B disclosures. The following letting items incorporate the said forms by reference:

---

---

**ILLINOIS DEPARTMENT  
OF TRANSPORTATION**

**Form A  
Financial Information &  
Potential Conflicts of Interest  
Disclosure**

Contractor Name		
Legal Address		
City, State, Zip		
Telephone Number	Email Address	Fax Number (if available)

Disclosure of the information contained in this Form is required by the Section 50-35 of the Illinois Procurement Code (30 ILCS 500). Vendors desiring to enter into a contract with the State of Illinois must disclose the financial information and potential conflict of interest information as specified in this Disclosure Form. This information shall become part of the publicly available contract file. This Form A must be completed for bids in excess of \$10,000, and for all open-ended contracts. **A publicly traded company may submit a 10K disclosure (or equivalent if applicable) in satisfaction of the requirements set forth in Form A. See Disclosure Form Instructions.**

**DISCLOSURE OF FINANCIAL INFORMATION**

**1. Disclosure of Financial Information.** The individual named below has an interest in the BIDDER (or its parent) in terms of ownership or distributive income share in excess of 5%, or an interest which has a value of more than \$90,420.00 (60% of the Governor's salary as of 7/1/01). **(Make copies of this form as necessary and attach a separate Disclosure Form A for each individual meeting these requirements)**

**FOR INDIVIDUAL (type or print information)**

**NAME:** \_\_\_\_\_

**ADDRESS** \_\_\_\_\_

**Type of ownership/distributable income share:**

stock \_\_\_\_\_ sole proprietorship \_\_\_\_\_ Partnership \_\_\_\_\_ other: (explain on separate sheet):  
% or \$ value of ownership/distributable income share: \_\_\_\_\_

**2. Disclosure of Potential Conflicts of Interest.** Check "Yes" or "No" to indicate which, if any, of the following potential conflict of interest relationships apply. If the answer to any question is "Yes", please attach additional pages and describe.

(a) State employment, currently or in the previous 3 years, including contractual employment of services. Yes \_\_\_ No \_\_\_

If your answer is yes, please answer each of the following questions.

1. Are you currently an officer or employee of either the Capitol Development Board or the Illinois Toll Highway Authority? Yes \_\_\_ No \_\_\_
2. Are you currently appointed to or employed by any agency of the State of Illinois? If you are currently appointed to or employed by any agency of the State of Illinois, and your annual salary exceeds \$90,420.00, (60% of the Governor's salary as of 7/1/01) provide the name the State agency for which you are employed and your annual salary. \_\_\_\_\_

**RETURN WITH BID/OFFER**

3. If you are currently appointed to or employed by any agency of the State of Illinois, and your annual salary exceeds \$90,420.00, (60% of the Governor's salary as of 7/1/01) are you entitled to receive (i) more than 7 1/2% of the total distributable income of your firm, partnership, association or corporation, or (ii) an amount in excess of the salary of the Governor? Yes \_\_\_ No \_\_\_
4. If you are currently appointed to or employed by any agency of the State of Illinois, and your annual salary exceeds \$90,420.00, (60% of the Governor's salary as of 7/1/01) are you and your spouse or minor children entitled to receive (i) more than 15 % in the aggregate of the total distributable income of your firm, partnership, association or corporation, or (ii) an amount in excess of 2 times the salary of the Governor? Yes \_\_\_ No \_\_\_

---

(b) State employment of spouse, father, mother, son, or daughter, including contractual employment services in the previous 2 years.

Yes \_\_\_ No \_\_\_

If your answer is yes, please answer each of the following questions.

1. Is your spouse or any minor children currently an officer or employee of the Capitol Development Board or the Illinois Toll Highway Authority? Yes \_\_\_ No \_\_\_
2. Is your spouse or any minor children currently appointed to or employed by any agency of the State of Illinois? If your spouse or minor children is/are currently appointed to or employed by any agency of the State of Illinois, and his/her annual salary exceeds \$90,420.00, (60 % of the Governor's salary as of 7/1/01) provide the name of your spouse and/or minor children, the name of the State agency for which he/she is employed and his/her annual salary. \_\_\_\_\_
- 
3. If your spouse or any minor children is/are currently appointed to or employed by any agency of the State of Illinois, and his/her annual salary exceeds \$90,420.00, (60% of the salary of the Governor as of 7/1/01) are you entitled to receive (i) more then 71/2% of the total distributable income of your firm, partnership, association or corporation, or (ii) an amount in excess of the salary of the Governor? Yes \_\_\_ No \_\_\_
4. If your spouse or any minor children are currently appointed to or employed by any agency of the State of Illinois, and his/her annual salary exceeds \$90,420.00, (60% of the Governor's salary as of 7/1/01) are you and your spouse or minor children entitled to receive (i) more than 15 % in the aggregate of the total distributable income of your firm, partnership, association or corporation, or (ii) an amount in excess of 2 times the salary of the Governor? Yes \_\_\_ No \_\_\_

---

(c) Elective status; the holding of elective office of the State of Illinois, the government of the United States, any unit of local government authorized by the Constitution of the State of Illinois or the statutes of the State of Illinois currently or in the previous 3 years. Yes \_\_\_ No \_\_\_

---

(d) Relationship to anyone holding elective office currently or in the previous 2 years; spouse, father, mother, son, or daughter. Yes \_\_\_ No \_\_\_

---

(e) Appointive office; the holding of any appointive government office of the State of Illinois, the United States of America, or any unit of local government authorized by the Constitution of the State of Illinois or the statutes of the State of Illinois, which office entitles the holder to compensation in excess of the expenses incurred in the discharge of that office currently or in the previous 3 years. Yes \_\_\_ No \_\_\_

---

(f) Relationship to anyone holding appointive office currently or in the previous 2 years; spouse, father, mother, son, or daughter. Yes \_\_\_ No \_\_\_

---

(g) Employment, currently or in the previous 3 years, as or by any registered lobbyist of the State government. Yes \_\_\_ No \_\_\_

---

**RETURN WITH BID/OFFER**

(h) Relationship to anyone who is or was a registered lobbyist in the previous 2 years; spouse, father, mother, son, or daughter. Yes \_\_\_ No \_\_\_

(i) Compensated employment, currently or in the previous 3 years, by any registered election or reelection committee registered with the Secretary of State or any county clerk of the State of Illinois, or any political action committee registered with either the Secretary of State or the Federal Board of Elections. Yes \_\_\_ No \_\_\_

(j) Relationship to anyone; spouse, father, mother, son, or daughter; who was a compensated employee in the last 2 years by any registered election or re-election committee registered with the Secretary of State or any county clerk of the State of Illinois, or any political action committee registered with either the Secretary of State or the Federal Board of Elections. Yes \_\_\_ No \_\_\_

**APPLICABLE STATEMENT**

**This Disclosure Form A is submitted on behalf of the INDIVIDUAL named on previous page.**

Completed by: \_\_\_\_\_  
Name of Authorized Representative (type or print)

Completed by: \_\_\_\_\_  
Title of Authorized Representative (type or print)

Completed by: \_\_\_\_\_ Date \_\_\_\_\_  
Signature of Individual or Authorized Representative

**NOT APPLICABLE STATEMENT**

**I have determined that no individuals associated with this organization meet the criteria that would require the completion of this Form A.**

**This Disclosure Form A is submitted on behalf of the CONTRACTOR listed on the previous page.**

\_\_\_\_\_  
Name of Authorized Representative (type or print)

\_\_\_\_\_  
Title of Authorized Representative (type or print)

\_\_\_\_\_  
Signature of Authorized Representative Date \_\_\_\_\_

RETURN WITH BID/OFFER

ILLINOIS DEPARTMENT  
OF TRANSPORTATION

Form B  
Other Contracts &  
Procurement Related Information  
Disclosure

Contractor Name		
Legal Address		
City, State, Zip		
Telephone Number	Email Address	Fax Number (if available)

Disclosure of the information contained in this Form is required by the Section 50-35 of the Illinois Procurement Act (30 ILCS 500). This information shall become part of the publicly available contract file. This Form B must be completed for bids in excess of \$10,000, and for all open-ended contracts.

**DISCLOSURE OF OTHER CONTRACTS AND PROCUREMENT RELATED INFORMATION**

**1. Identifying Other Contracts & Procurement Related Information.** The BIDDER shall identify whether it has any pending contracts (including leases), bids, proposals, or other ongoing procurement relationship with any other State of Illinois agency: Yes \_\_\_ No \_\_\_

If **“No” is checked**, the bidder only needs to complete the signature box on the bottom of this page.

**2. If “Yes” is checked.** Identify each such relationship by showing State of Illinois agency name and other descriptive information such as bid or project number (attach additional pages as necessary). SEE DISCLOSURE FORM INSTRUCTIONS:

**THE FOLLOWING STATEMENT MUST BE SIGNED**

_____	
Name of Authorized Representative (type or print)	
_____	
Title of Authorized Representative (type or print)	
_____	_____
Signature of Authorized Representative	Date

## **RETURN WITH BID**

### **SPECIAL NOTICE TO CONTRACTORS**

The following requirements of the Illinois Department of Human Rights' Rules and Regulations are applicable to bidders on all construction contracts advertised by the Illinois Department of Transportation:

#### **CONSTRUCTION EMPLOYEE UTILIZATION PROJECTION**

- (a) All bidders on construction contracts shall complete and submit, along with and as part of their bids, a Bidder's Employee Utilization Form (Form BC-1256) setting forth a projection and breakdown of the total workforce intended to be hired and/or allocated to such contract work by the bidder including a projection of minority and female employee utilization in all job classifications on the contract project.
- (b) The Department of Transportation shall review the Employee Utilization Form, and workforce projections contained therein, of the contract awardee to determine if such projections reflect an underutilization of minority persons and/or women in any job classification in accordance with the Equal Employment Opportunity Clause and Section 7.2 of the Illinois Department of Human Rights' Rules and Regulations for Public Contracts adopted as amended on September 17, 1980. If it is determined that the contract awardee's projections reflect an underutilization of minority persons and/or women in any job classification, it shall be advised in writing of the manner in which it is underutilizing and such awardee shall be considered to be in breach of the contract unless, prior to commencement of work on the contract project, it submits revised satisfactory projections or an acceptable written affirmative action plan to correct such underutilization including a specific timetable geared to the completion stages of the contract.
- (c) The Department of Transportation shall provide to the Department of Human Rights a copy of the contract awardee's Employee Utilization Form, a copy of any required written affirmative action plan, and any written correspondence related thereto. The Department of Human Rights may review and revise any action taken by the Department of Transportation with respect to these requirements.





**RETURN WITH BID**

**Contract No. 64B86  
OGLE County  
Section (110,111)RS-4  
Route FAP 17  
District 2 Construction Funds**

**PART II. WORKFORCE PROJECTION - continued**

B. Included in "Total Employees" under Table A is the total number of **new hires** that would be employed in the event the undersigned bidder is awarded this contract.

The undersigned bidder projects that: (number) \_\_\_\_\_ new hires would be recruited from the area in which the contract project is located; and/or (number) \_\_\_\_\_ new hires would be recruited from the area in which the bidder's principal office or base of operation is located.

C. Included in "Total Employees" under Table A is a projection of numbers of persons to be employed directly by the undersigned bidder as well as a projection of numbers of persons to be employed by subcontractors.

The undersigned bidder estimates that (number) \_\_\_\_\_ persons will be directly employed by the prime contractor and that (number) \_\_\_\_\_ persons will be employed by subcontractors.

**PART III. AFFIRMATIVE ACTION PLAN**

A. The undersigned bidder understands and agrees that in the event the foregoing minority and female employee utilization projection included under **PART II** is determined to be an underutilization of minority persons or women in any job category, and in the event that the undersigned bidder is awarded this contract, he/she will, prior to commencement of work, develop and submit a written Affirmative Action Plan including a specific timetable (geared to the completion stages of the contract) whereby deficiencies in minority and/or female employee utilization are corrected. Such Affirmative Action Plan will be subject to approval by the contracting agency and the **Department of Human Rights**.

B. The undersigned bidder understands and agrees that the minority and female employee utilization projection submitted herein, and the goals and timetable included under an Affirmative Action Plan if required, are deemed to be part of the contract specifications.

Company \_\_\_\_\_ Telephone Number \_\_\_\_\_  
\_\_\_\_\_  
Address \_\_\_\_\_

**NOTICE REGARDING SIGNATURE**

The Bidder's signature on the Proposal Signature Sheet will constitute the signing of this form. The following signature block needs to be completed only if revisions are required.

Signature: \_\_\_\_\_ Title: \_\_\_\_\_ Date: \_\_\_\_\_

- Instructions: All tables must include subcontractor personnel in addition to prime contractor personnel.
- Table A - Include both the number of employees that would be hired to perform the contract work and the total number currently employed (Table B) that will be allocated to contract work, and include all apprentices and on-the-job trainees. The "Total Employees" column should include all employees including all minorities, apprentices and on-the-job trainees to be employed on the contract work.
- Table B - Include all employees currently employed that will be allocated to the contract work including any apprentices and on-the-job trainees currently employed.
- Table C - Indicate the racial breakdown of the total apprentices and on-the-job trainees shown in Table A.

**RETURN WITH BID**

**Contract No. 64B86  
OGLE County  
Section (110,111)RS-4  
Route FAP 17  
District 2 Construction Funds**

PROPOSAL SIGNATURE SHEET

The undersigned bidder hereby makes and submits this bid on the subject Proposal, thereby assuring the Department that all requirements of the Invitation for Bids and rules of the Department have been met, that there is no misunderstanding of the requirements of paragraph 3 of this Proposal, and that the contract will be executed in accordance with the rules of the Department if an award is made on this bid.

Firm Name \_\_\_\_\_  
(IF AN INDIVIDUAL) Signature of Owner \_\_\_\_\_  
Business Address \_\_\_\_\_  
\_\_\_\_\_

\_\_\_\_\_  
Firm Name \_\_\_\_\_  
By \_\_\_\_\_  
(IF A CO-PARTNERSHIP) Business Address \_\_\_\_\_  
\_\_\_\_\_  
Name and Address of All Members of the Firm:  
\_\_\_\_\_  
\_\_\_\_\_

\_\_\_\_\_  
Corporate Name \_\_\_\_\_  
By \_\_\_\_\_  
Signature of Authorized Representative \_\_\_\_\_  
Typed or printed name and title of Authorized Representative \_\_\_\_\_  
(IF A CORPORATION) Attest \_\_\_\_\_  
Signature \_\_\_\_\_  
(IF A JOINT VENTURE, USE THIS SECTION  
FOR THE MANAGING PARTY AND THE  
SECOND PARTY SHOULD SIGN BELOW) Business Address \_\_\_\_\_  
\_\_\_\_\_

\_\_\_\_\_  
Corporate Name \_\_\_\_\_  
By \_\_\_\_\_  
Signature of Authorized Representative \_\_\_\_\_  
Typed or printed name and title of Authorized Representative \_\_\_\_\_  
(IF A JOINT VENTURE) Attest \_\_\_\_\_  
Signature \_\_\_\_\_  
Business Address \_\_\_\_\_  
\_\_\_\_\_

If more than two parties are in the joint venture, please attach an additional signature sheet.



RETURN WITH BID

Division of Highways
Proposal Bid Bond
(Effective November 1, 1992)

Item No.
Letting Date

KNOW ALL MEN BY THESE PRESENTS, That We
as PRINCIPAL, and

held jointly, severally and firmly bound unto the STATE OF ILLINOIS in the penal sum of 5 percent of the total bid price, or for the amount specified in Article 102.09 of the "Standard Specifications for Road and Bridge Construction" in effect on the date of invitation for bids, whichever is the lesser sum, well and truly to be paid unto said STATE OF ILLINOIS, for the payment of which we bind ourselves, our heirs, executors, administrators, successors and assigns.

THE CONDITION OF THE FOREGOING OBLIGATION IS SUCH, That Whereas, the PRINCIPAL has submitted a bid proposal to the STATE OF ILLINOIS, acting through the Department of Transportation, for the improvement designated by the Transportation Bulletin Item Number and Letting Date indicated above.

NOW, THEREFORE, if the Department shall accept the bid proposal of the PRINCIPAL; and if the PRINCIPAL shall, within the time and as specified in the bidding and contract documents, submit a DBE Utilization Plan that is accepted and approved by the Department; and if, after award by the Department, the PRINCIPAL shall enter into a contract in accordance with the terms of the bidding and contract documents including evidence of the required insurance coverages and providing such bond as specified with good and sufficient surety for the faithful performance of such contract and for the prompt payment of labor and material furnished in the prosecution thereof; or if, in the event of the failure of the PRINCIPAL to make the required DBE submission or to enter into such contract and to give the specified bond, the PRINCIPAL pays to the Department the difference not to exceed the penalty hereof between the amount specified in the bid proposal and such larger amount for which the Department may contract with another party to perform the work covered by said bid proposal, then this obligation shall be null and void, otherwise, it shall remain in full force and effect.

IN THE EVENT the Department determines the PRINCIPAL has failed to comply with any requirement as set forth in the preceding paragraph, then Surety shall pay the penal sum to the Department within fifteen (15) days of written demand therefor. If Surety does not make full payment within such period of time, the Department may bring an action to collect the amount owed. Surety is liable to the Department for all its expenses, including attorney's fees, incurred in any litigation in which it prevails either in whole or in part.

In TESTIMONY WHEREOF, the said PRINCIPAL and the said SURETY have caused this instrument to be signed by their respective officers this day of A.D.,

PRINCIPAL SURETY
(Company Name) (Company Name)
By: (Signature & Title) By: (Signature of Attorney-in-Fact)

Notary Certification for Principal and Surety

STATE OF ILLINOIS,
COUNTY OF

I, a Notary Public in and for said County, do hereby certify that
and

(Insert names of individuals signing on behalf of PRINCIPAL & SURETY)

who are each personally known to me to be the same persons whose names are subscribed to the foregoing instrument on behalf of PRINCIPAL and SURETY, appeared before me this day in person and acknowledged respectively, that they signed and delivered said instrument as their free and voluntary act for the uses and purposes therein set forth.

Given under my hand and notarial seal this day of, A.D.

My commission expires
Notary Public

In lieu of completing the above section of the Proposal Bid Form, the Principal may file an Electronic Bid Bond. By signing below the Principal is ensuring the identified electronic bid bond has been executed and the Principal and Surety are firmly bound unto the State of Illinois under the conditions of the bid bond as shown above.

Electronic Bid Bond ID# Company/Bidder Name Signature and Title

# PROPOSAL ENVELOPE



# PROPOSALS

for construction work advertised for bids by the  
Illinois Department of Transportation

Item No.	Item No.	Item No.

Submitted By:

Name:
Address:
Phone No.

Bidders should use an IDOT proposal envelope or affix this form to the front of a 10" x 13" envelope for the submittal of bids. If proposals are mailed, they should be enclosed in a second or outer envelope addressed to:

Engineer of Design and Environment - Room 326  
Illinois Department of Transportation  
2300 South Dirksen Parkway  
Springfield, Illinois 62764

## NOTICE

**Individual bids, including Bid Bond and/or supplemental information if required, should be securely stapled.**

# CONTRACTOR OFFICE COPY OF CONTRACT SPECIFICATIONS

---

## NOTICE

None of the following material needs to be returned with the bid package unless the special provisions require documentation and/or other information to be submitted.

**Contract No. 64B86  
OGLE County  
Section (110,111)RS-4  
Route FAP 17  
District 2 Construction Funds**



**Illinois Department of Transportation**



## NOTICE TO BIDDERS

**1. TIME AND PLACE OF OPENING BIDS.** Sealed proposals for the improvement described herein will be received by the Department of Transportation at the Harry R. Hanley Building, 2300 South Dirksen Parkway, in Springfield, Illinois until 10:00 o'clock a.m., April 28, 2006. All bids will be gathered, sorted, publicly opened and read in the auditorium at the Department of Transportation's Harry R. Hanley Building shortly after the 10:00 a.m. cut off time.

**2. DESCRIPTION OF WORK.** The proposed improvement is identified and advertised for bids in the Invitation for Bids as:

**Contract No. 64B86  
OGLE County  
Section (110,111)RS-4  
Route FAP 17  
District 2 Construction Funds**

**7.99 miles of 24 foot bituminous resurfacing on IL Route 64 from Chana Road to IL Route 51.**

**3. INSTRUCTIONS TO BIDDERS.** (a) This Notice, the invitation for bids, proposal and letter of award shall, together with all other documents in accordance with Article 101.09 of the Standard Specifications for Road and Bridge Construction, become part of the contract. Bidders are cautioned to read and examine carefully all documents, to make all required inspections, and to inquire or seek explanation of the same prior to submission of a bid.

(b) State law, and, if the work is to be paid wholly or in part with Federal-aid funds, Federal law requires the bidder to make various certifications as a part of the proposal and contract. By execution and submission of the proposal, the bidder makes the certification contained therein. A false or fraudulent certification shall, in addition to all other remedies provided by law, be a breach of contract and may result in termination of the contract.

**4. AWARD CRITERIA AND REJECTION OF BIDS.** This contract will be awarded to the lowest responsive and responsible bidder considering conformity with the terms and conditions established by the Department in the rules, Invitation for Bids and contract documents. The issuance of plans and proposal forms for bidding based upon a prequalification rating shall not be the sole determinant of responsibility. The Department reserves the right to determine responsibility at the time of award, to reject any or all proposals, to readvertise the proposed improvement, and to waive technicalities.

By Order of the  
Illinois Department of Transportation

Timothy W. Martin, Secretary

BD 351 (Rev. 01/2003)

INDEX  
FOR  
SUPPLEMENTAL SPECIFICATIONS AND RECURRING SPECIAL PROVISIONS  
Adopted March 1, 2005

This index contains a listing of SUPPLEMENTAL SPECIFICATIONS and frequently used RECURRING SPECIAL PROVISIONS.

ERRATA Standard Specifications for Road and Bridge Construction (Adopted 1-1-02) (Revised 3-1-05)

SUPPLEMENTAL SPECIFICATIONS

<u>Std. Spec. Sec.</u>		<u>Page No.</u>
101	Definition of Terms .....	1
105	Control of Work .....	2
205	Embankment .....	3
251	Mulch .....	4
281	Riprap.....	5
282	Filter Fabric for Use With Riprap .....	8
285	Concrete Revetment Mats.....	10
311	Granular Subbase .....	14
351	Aggregate Base Course.....	15
440	Removal of Existing Pavement and Appurtenances .....	16
442	Pavement Patching .....	17
449	Removal and Replacement of Preformed Elastomeric Compression Joint Seal .....	18
481	Aggregate Shoulders .....	19
501	Removal of Existing Structures .....	20
503	Concrete Structures .....	21
505	Steel Structures .....	22
506	Cleaning and Painting Metal Structures .....	25
508	Reinforcement Bars .....	26
512	Piling .....	27
540	Box Culverts.....	28
589	Elastic Joint Sealer .....	30
602	Catch Basin, Manhole, Inlet, Drainage Structures and Valve Vault Construction, Adjustment and Reconstruction .....	31
603	Adjusting Frames and Grates of Drainage and Utility Structures .....	32
610	Shoulder Inlets with Curb .....	33
665	Woven Wire Fence .....	34
669	Removal and Disposal of Regulated Substances .....	35
671	Mobilization .....	36
702	Work Zone Traffic Control Devices .....	37
1003	Fine Aggregates .....	38
1004	Coarse Aggregate .....	39
1005	Stone, Concrete Blocks and Broken Concrete for Erosion Protection, Sediment Control and Rockfill .....	42
1006	Metals .....	46
1007	Timber and Preservative Treatment .....	49
1012	Hydrated Lime .....	50
1020	Portland Cement Concrete .....	51
1021	Concrete Admixtures .....	58
1022	Concrete Curing Materials .....	59
1024	Nonshrink Grout .....	61
1041	Brick .....	63
1043	Precast Reinforced Concrete Manhole Sections and Adjusting Rings.....	64
1056	Preformed Flexible Gaskets and Mastic Joint Sealer for Sewer and Culvert Pipe .....	66
1059	Elastic Joint Sealers .....	67
1060	Waterproofing Materials .....	68
1069	Pole and Tower .....	69
1070	Foundation and Breakaway Devices .....	70
1077	Post and Foundation .....	72
1080	Fabric Materials .....	73
1081	Materials For Planting .....	76
1083	Elastomeric Bearings .....	77
1094	Overhead Sign Structures .....	78
1103	Portland Cement Concrete Equipment .....	79

RECURRING SPECIAL PROVISIONS

The following RECURRING SPECIAL PROVISIONS indicated by an "X" are applicable to this contract and are included by reference:

<u>CHECK SHEET #</u>	<u>PAGE NO.</u>
1 State Required Contract Provisions All Federal-aid Construction Contracts (Eff. 2-1-69) (Rev. 10-1-83) ....	80
2 Subletting of Contracts (Federal-aid Contracts) (Eff. 1-1-88) (Rev. 5-1-93).....	82
3 X EEO (Eff. 7-21-78) (Rev. 11-18-80) .....	83
4 X Specific Equal Employment Opportunity Responsibilities NonFederal-aid Contracts (Eff. 3-20-69) (Rev. 1-1-94) .....	94
5 X Required Provisions - State Contracts (Eff. 4-1-65) (Rev. 4-1-93).....	100
6 Reserved .....	105
7 X Asphalt Quantities and Cost Reviews (Eff. 7-1-88).....	106
8 National Pollutant Discharge Elimination System Permit (Eff. 7-1-94) (Rev. 1-1-03).....	107
9 Haul Road Stream Crossings, Other Temporary Stream Crossings and In-Stream Work Pads (Eff. 1-2-92) (Rev. 1-1-98) .....	108
10 Construction Layout Stakes Except for Bridges (Eff. 1-1-99) (Rev. 1-1-02).....	109
11 Construction Layout Stakes (Eff. 5-1-93) (Rev. 1-1-02).....	112
12 Use of Geotextile Fabric for Railroad Crossing (Eff. 1-1-95) (Rev. 1-1-97).....	115
13 Asphaltic Emulsion Slurry Seal and Fibrated Asphaltic Emulsion Slurry Seal (Eff. 8-1-89) (Rev. 2-1-97) ....	117
14 Bituminous Surface Treatments Half-Smart (Eff. 7-1-93) (Rev. 1-1-97) .....	123
15 X Quality Control/Quality Assurance of Bituminous Concrete Mixtures (Eff. 1-1-00) (Rev. 3-1-05) .....	129
16 Subsealing of Concrete Pavements (Eff. 11-1-84) (Rev. 2-1-95).....	148
17 Bituminous Surface Removal (Cold Milling) (Eff. 11-1-87) (Rev. 10-15-97).....	152
18 X Resurfacing of Milled Surfaces (Eff. 10-1-95) .....	154
19 PCC Partial Depth Bituminous Patching (Eff. 1-1-98).....	155
20 X Patching with Bituminous Overlay Removal (Eff. 10-1-95) (Rev. 7-1-99) .....	157
21 Reserved .....	159
22 Protective Shield System (Eff. 4-1-95) (Rev. 1-1-03).....	160
23 Polymer Concrete (Eff. 8-1-95) (Rev. 3-1-05).....	162
24 Controlled Low-Strength Material (CLSM) (Eff. 1-1-90) (Rev. 3-1-05).....	164
25 Pipe Underdrains (Eff. 9-9-87) (Rev. 1-1-98).....	169
26 Guardrail and Barrier Wall Delineation (Eff. 12-15-93) (Rev. 1-1-97) .....	170
27 Bicycle Racks (Eff. 4-1-94) (Rev. 1-1-97) .....	175
28 Reserved .....	177
29 Reserved .....	178
30 Reserved .....	179
31 Night Time Inspection of Roadway Lighting (Eff. 5-1-96).....	180
32 Reserved .....	181
33 English Substitution of Metric Bolts (Eff. 7-1-96).....	182
34 English Substitution of Metric Reinforcement Bars (Eff. 4-1-96) (Rev. 1-1-03) .....	183
35 Polymer Modified Emulsified Asphalt (Eff. 5-15-89) (Rev. 1-1-04).....	185
36 Corrosion Inhibitor (Eff. 3-1-80) (Rev. 7-1-99) .....	187
37 Quality Control of Concrete Mixtures at the Plant-Single A (Eff. 8-1-00) (Rev. 1-1-04) .....	188
38 Quality Control of Concrete Mixtures at the Plant-Double A (Eff. 8-1-00) (Rev. 1-1-04) .....	194
39 Quality Control/Quality Assurance of Concrete Mixtures (Eff. 4-1-92) (Rev. 3-1-05).....	202
40 Traffic Barrier Terminal Type 1, Special (Eff. 8-1-94) (Rev. 1-1-03) .....	215
41 Reserved .....	216
42 X Segregation Control of Bituminous Concrete (Eff. 7-15-97).....	217
43 Reserved .....	220



## TABLE OF CONTENTS

LOCATION OF PROJECT .....	1
DESCRIPTION OF PROJECT .....	1
TRAFFIC CONTROL PLAN .....	1
GEOTECHNICAL REINFORCEMENT .....	2
ENGINEER'S FIELD OFFICE TYPE A .....	5
AGGREGATE SHIPPING TICKETS (BDE) .....	6
BITUMINOUS CONCRETE SURFACE COURSE (BDE) .....	6
BITUMINOUS EQUIPMENT, SPREADING AND FINISHING MACHINE (BDE) .....	7
BUTT JOINTS (BDE) .....	7
CONCRETE ADMIXTURES (BDE) .....	8
CURING AND PROTECTION OF CONCRETE CONSTRUCTION (BDE) .....	12
DISADVANTAGED BUSINESS ENTERPRISE PARTICIPATION .....	19
FLAGGER VESTS (BDE) .....	27
HAND VIBRATOR (BDE) .....	27
PARTIAL PAYMENTS (BDE) .....	27
PAYMENTS TO SUBCONTRACTORS (BDE) .....	28
PAYROLLS AND PAYROLL RECORDS (BDE) .....	29
PERSONAL PROTECTIVE EQUIPMENT (BDE) .....	30
PORTLAND CEMENT (BDE) .....	31
PORTLAND CEMENT CONCRETE (BDE) .....	31
RAP FOR USE IN BITUMINOUS CONCRETE MIXTURES (BDE) .....	31
SUBCONTRACTOR MOBILIZATION PAYMENTS (BDE) .....	35
SUPERPAVE BITUMINOUS CONCRETE MIXTURES (BDE) .....	35
TRAFFIC CONTROL DEFICIENCY DEDUCTION (BDE) .....	41
TRUCK BED RELEASE AGENT (BDE) .....	42
WATER BLASTER WITH VACUUM RECOVERY (BDE) .....	42
WEIGHT CONTROL DEFICIENCY DEDUCTION .....	43
WORK ZONE TRAFFIC CONTROL DEVICES (BDE) .....	44
WORKING DAYS (BDE) .....	45

## STATE OF ILLINOIS

### SPECIAL PROVISIONS

The following Special Provisions supplement the "Standard Specifications for Road and Bridge Construction," adopted January 1, 2002, the latest edition of the "Manual on Uniform Traffic Control Devices for Streets and Highways," and the "Manual of Test Procedures for Materials" in effect on the date of invitation for bids, and the Supplemental Specifications and Recurring Special Provisions indicated on the Check Sheet included herein which apply to and govern the construction of FAP Route 17 (IL 64), Section (110, 111)RS-4, Ogle County, Contract #64B86, and in case of conflict with any part or parts of said Specifications, the said Special Provisions shall take precedence and shall govern.

#### **LOCATION OF PROJECT**

IL Route 64 from Chana Road to IL 251 in Ogle County.

#### **DESCRIPTION OF PROJECT**

Bituminous resurfacing of 7.99 miles of IL 64 from Chana Road to IL 251 in Ogle County.

#### **TRAFFIC CONTROL PLAN**

Effective January 14, 1999

Traffic Control shall be according to the applicable sections of the Standard Specifications for Road and Bridge Construction, the applicable guidelines contained in the National Manual on Uniform Traffic Control Devices for Streets and Highways, Illinois Supplement to the National Manual on Uniform Traffic Control Devices, these special provisions, and any special details and Highway Standards contained herein and in the plans.

Special attention is called to Articles 107.09 and 107.14 of the Standard Specifications for Road and Bridge Construction and the following Highway Standards relating to traffic control.

Standards:

701201      701301      701306      701311      702001

Details:

Rough Grooved Surface (District Standard 91.2)

A minimum of 3 drums spaced at 1.2 meters (4 feet) shall be placed at each return when the sideroad is open.

BUMP (W8-1(O)48) signs shall be installed as directed by the Engineer.

Uneven Pavement Signs: "UNEVEN LANES" W8-11(O)48 signs shall be installed as directed by the Engineer.

The cost of furnishing, erecting, maintaining, covering and removing the signs shall be included in the cost of TRAFFIC CONTROL AND PROTECTION STANDARD 701306.

Low Shoulder Signs: "LOW SHOULDER" W8-9(O)48 signs shall be installed as directed by the Engineer.

The cost of furnishing, erecting, maintaining, covering and removing the signs shall be included in the cost of TRAFFIC CONTROL AND PROTECTION STANDARD 701306.

Pilot Car: During the bituminous priming operation, the Contractor shall be required to provide a pilot car to lead the traffic through the areas primed.

The pilot car shall be a pickup truck, carrying the Contractor's company insignia, equipped with "PILOT CAR - FOLLOW ME" (G-20-4(0)) signs. Two signs shall be mounted on the vehicle so as to be clearly visible from both directions. The bottom of the sign shall be mounted at least 300 mm (one foot) above the top of the cab. The pilot car shall be equipped with a two-way radio so normal communication with the flagger at each end of the work area can be maintained.

The pilot car shall be paid for by the day. If the pilot car is used less than four hours, the operation will be counted as a half day.

This work will be paid for at the contract unit price Per Day for PILOT CAR for each car required by the Engineer.

Maintenance of Traffic: The sawing of patches, resurfacing and placing of shoulder aggregate shall be completed using Traffic Control and Protection Standard 701306.

The pavement patch removal and replacement shall be completed using Traffic Control and Protection Standard 701201.

Pavement marking shall be completed using Traffic Control and Protection Standard 701311.

## **GEOTECHNICAL REINFORCEMENT**

Revised September 1, 2004

### Biaxial Geogrid Flat Installation

This work consists of furnishing and installing an integrally-formed polypropylene geotechnical grid reinforcement material. The grid shall have an aperture, rib and junction cross section

sufficient to permit significant mechanical interlock with the material being reinforced. There shall be a high continuity of tensile strength through all ribs and junctions of the grid material to reinforce the embankment or subgrade as shown on the plans and specifications.

Materials: Each layer of geogrid shall conform to the property requirements listed below. Multilayer geogrid and multiple layers of lesser strength geogrids will not be accepted.

**Reinforcement and Interlock**

<b><u>Property</u></b>	<b><u>Test Method</u></b>	<b><u>Value</u></b>
<u>Tensile Modulus:</u>		
▪ True Tensile Modulus	ASTMD 6637	17,000 lb./ft. (Min.)
▪ True Tensile Strength @ 2% Strain		280 lb./ft. (Min.)
▪ True Tensile Strength @5% Strain		580 lb./ft. (Min.)

Apertures:

▪ Aperture Stability	USACE*	2.7 in. – lb./deg. (min.)
▪ Open Area	COE Method Modified**	70% (Nom.)
* Resistance to in-plane rotational movement measured by applying a 20 kg-cm moment to the central junction of a 9 inch x 9 inch specimen restrained at its perimeter (U.S. Army Corps of Engineers Methodology for measurement of Torsional Rigidity).		
** Percent open area measured without magnification by Corps of Engineers method as specified in CW 02215 Civil Works Construction Guide, November, 1977.		

Structural Integrity:

▪ Flexural Stiffness	ASTM D-5732-95 ***	0.2 in.-lb. (Min.)
▪ Junction Efficiency	GRI GG2-87****	90% (Min.)
*** Resistance to bending force measured via ASTM D-5732-95, using specimens of width two ribs wide, with transverse ribs cut flush with exterior edges of longitudinal ribs (as a “ladder), and of length sufficiently long to enable measurement of the overhang dimension. The overall Flexural Stiffness is calculated as the square root of the product of machine-and cross-machine-direction Flexural Stiffness values.		
**** Load transfer capability measured via GRI-GG2-87. Expressed as a percentage of ultimate tensile strength.		

Material

Polypropylene	ASTM D 1401 Group I/Class 1/Grade 2	98% (Min.)
Carbon Black	ASTM 4218	0.5% (Min.)

The supplier should provide a certification that their product meets the above requirements.

The geotechnical reinforcement shall be placed as described herein or as shown on the cross sections.

Geogrid shall be delivered to the jobsite in such a manner as to facilitate handling and incorporation into the work without damage. Material shall be stored in such a manner as to prevent exposure to direct sunlight and damage by other construction activities.

Prior to the installation of the geogrid, the application surface shall be cleared of debris, sharp objects and trees. Tree stumps shall be cut to the level of the ground surface. If the stumps cannot be cut to the ground level, they shall be completely removed. In the case of subgrades, all wheel tracks or ruts in excess of 75 mm (3 inches) in depth shall be graded smooth or otherwise filled with soil to provide a reasonably smooth surface.

The geotechnical reinforcement shall be placed with the "roll length" parallel to the pavement. Fabric of insufficient width or length to fully cover the specified area shall be lapped a minimum of 600 mm (24 inches).

Installation:

The granular blanket shall be constructed to the width and depth required on the plans. Unless otherwise specified, the material shall be back-dumped on the Geogrid in a sequence of operations beginning at the outer edges of the treatment area with subsequent placement towards the middle.

Placement of material on the Geogrid shall be accomplished by spreading dumped material off of previously placed material with a bulldozer blade or endloader, in such a manner as to prevent tearing or shoving of the Geogrid. Dumping of material directly on the Geogrid will only be permitted to establish an initial working platform. No construction equipment shall be allowed on the Geogrid prior to placement of the granular blanket.

Unless otherwise specified in the plans or Special Provisions, the granular material, shall be placed to the full required thickness and compacted to the satisfaction of the Engineer.

Geogrid which is damaged during installation or subsequent placement of granular material, due to failure of the Contractor to comply with these provisions, shall be repaired or replaced at his expense, including costs of removal and replacement of the granular material.

Torn Geogrid may be patched in-place by cutting and placing a piece of the same Geogrid over the tear. The dimensions of the patch shall be at least 600 mm (2 feet) larger than the largest dimension of the tear and it shall be weighted or otherwise secured to prevent the granular material from causing lap separation.

Method of Measurement:

Geotechnical Reinforcement will be measured in square meters (square yards) for the surface area placed. The excavation, replacement and compaction of the granular layer shall be paid for separately. Each layer of geogrid will be paid for separately.

Basis of Payment:

This work will be measured in place and the area computed in square yards. The work will be paid for at the contract unit price per Square Meter (Square Yard) for GEOTECHNICAL REINFORCEMENT.

**ENGINEER'S FIELD OFFICE TYPE A**

Revise Article 670.02 (I) of the Standard Specifications to read:

- (i) Provide a minimum of three (3) communications paths to each field office. The configuration would include (1) a land based, touch-tone telephone line with answering machine and fax capabilities (2) two wireless phone connection with a minimum of 500 anytime calling minutes each per month and (3) a data connection to access State of Illinois network for the exclusive use of the Engineer.

Arrangements for installation, connection and disconnection to the State's network are to be made through the Regional IT Manager at (815) 284-5495. Monthly billings for the data connection will be sent directly to the contractor and the contractor will directly pay the Illinois Department of Central Management Services for this service. All costs necessary to complete the connection and disconnection to the State's network will be paid for under Article 109.04.

All other communication costs shall be contracted at the lowest cost available for the region of service. Any deviation from the desired configurations shall be subject to the approval of the District Construction Engineer.

Revise the last line of the first paragraph of Article 670.07 of the Standard Specifications to read:

This price shall include all utility costs and shall reflect the salvage value of the building or buildings, equipment, and furniture which becomes the property of the Contractor after release by the Engineer, except the Department will pay that portion of each monthly long distance telephone bill in excess of \$50.00 for the land based telephone line.

**AGGREGATE SHIPPING TICKETS (BDE)**

Effective: January 1, 2006

Add the following to Article 1003.01 of the Standard Specifications:

“(f) Shipping Tickets. Shipping tickets for the material shall be according to the current Bureau of Materials and Physical Research Policy Memorandum, “Designation of Aggregate Information on Shipping Tickets”.”

Add the following to Article 1004.01 of the Standard Specifications:

“(f) Shipping Tickets. Shipping tickets for the material shall be according to the current Bureau of Materials and Physical Research Policy Memorandum, “Designation of Aggregate Information on Shipping Tickets”.”

Add the following to Article 1005.01 of the Supplemental Specifications:

“(d) Shipping Tickets. Shipping tickets for the material shall be according to the current Bureau of Materials and Physical Research Policy Memorandum, “Designation of Aggregate Information on Shipping Tickets”.”

**BITUMINOUS CONCRETE SURFACE COURSE (BDE)**

Effective: April 1, 2001

Revised: April 1, 2003

Replace the fourth paragraph of Article 406.23(b) of the Standard Specifications with the following:

“Mixture for cracks, joints, flangeways, leveling binder (machine method), leveling binder (hand method) and binder course in excess of 103 percent of the quantity specified by the Engineer will not be measured for payment.

Surface course mixture in excess of 103 percent of adjusted plan quantity will not be measured for payment. The adjusted plan quantity for surface course mixtures will be calculated as follows:

Adjusted Plan Quantity = C x quantity shown on the plans or as specified by the Engineer.

where C =      metric:  $C = \frac{G_{mb} \times 24.99}{U}$               English:  $C = \frac{G_{mb} \times 46.8}{U}$

and where:

$G_{mb}$  = average bulk specific gravity from approved mix design.

U = Unit weight of surface course shown on the plans in kg/sq m/25 mm (lb/sq yd/in.), used to estimate plan quantity.

24.99 = metric constant.

46.8 = English constant.

If project circumstances warrant a new surface course mix design, the above equations shall be used to calculate the adjusted plan quantity for each mix design using its respective average bulk specific gravity.”

### **BITUMINOUS EQUIPMENT, SPREADING AND FINISHING MACHINE (BDE)**

Effective: January 1, 2005

Revise the fourth paragraph of Article 1102.03 of the Standard Specifications to read:

“The paver shall be equipped with a receiving hopper having sufficient capacity for a uniform spreading operation. The hopper shall be equipped with a distribution system to uniformly place a non-segregated mixture in front of the screed. The distribution system shall have chain curtains, deflector plates, and/or other devices designed and built by the paver manufacturer to prevent segregation during distribution of the mixture from the hopper to the paver screed. The Contractor shall submit a written certification that the devices recommended by the paver manufacturer to prevent segregation have been installed and are operational. Prior to paving, the Contractor, in the presence of the Engineer, shall visually inspect paver parts specifically identified by the manufacturer for excessive wear and the need for replacement. The Contractor shall supply a completed check list to the Engineer noting the condition of the parts. Worn parts shall be replaced. The Engineer may require an additional inspection prior to the placement of a surface course or at other times throughout the work.”

### **BUTT JOINTS (BDE)**

Effective: April 1, 2004

Revised: April 1, 2005

Revise Article 406.18 of the Standard Specifications to read:

**406.18 Butt Joints.** Butt joints shall be constructed according to the details shown on the plans. The surface removal shall be performed according to Section 440. Construction of butt joints shall not begin prior to beginning general operations on the project.

When butt joints are to be constructed under traffic, temporary ramps shall be constructed and maintained at both the upstream and downstream ends of the surface removal areas immediately upon completion of the surface removal operation. The temporary ramps shall be constructed by the following methods.

- (a) Temporary Bituminous Ramps. Temporary bituminous ramps shall have a minimum taper rate of 1:40 (V:H). The bituminous material used shall meet the approval of the Engineer. Cold-milled bituminous tailings will not be acceptable.
- (b) Temporary Rubber Ramps. Temporary rubber ramps shall only be used on roadways with permanent posted speeds of 55 mph or less. The ramps shall have a minimum taper rate of 1:30 (V:H). The leading edge of the rubber ramp shall have a maximum thickness of 6 mm (1/4 in.) and the trailing edge shall match the height of the adjacent pavement  $\pm$  6 mm (1/4 in.).



The rubber material shall conform to the following.

Property	Test Method	Requirement
Durometer Hardness, Shore A	ASTM D 2240	80 ±10
Tensile Strength	ASTM D 412	5500 kPa (800 psi) min.
Elongation, percent	ASTM D 412	100 min.
Specific Gravity	ASTM D 297	1.1-1.3
Brittleness	ASTM D 746	-40 °C (-40 °F)

The rubber ramps shall be installed according to the manufacturer's specifications and fastened with the anchors provided. Rubber ramps that fail to stay in place or create a traffic hazard shall be replaced immediately with temporary bituminous ramps at the Contractor's expense.

The temporary ramps shall be removed just prior to placing the proposed surface course. If work is suspended for the winter season prior to completion of surface course construction, precut butt joints shall be filled to the elevation of the existing pavement surface with compacted bituminous concrete surface course or binder course."

**CONCRETE ADMIXTURES (BDE)**

Effective: January 1, 2003

Revised: July 1, 2004

Revise Article 1020.05(b) of the Standard Specifications to read:

"(b) Admixtures. Except as specified, the use of admixtures to increase the workability or to accelerate the hardening of the concrete will be permitted only when approved in writing by the Engineer. The Department will maintain an Approved List of Concrete Admixtures. When the Department permits the use of a calcium chloride accelerator, it shall be according to Article 442.02, Note 5.

When the atmosphere or concrete temperature is 18 °C (65 °F) or higher, a retarding admixture meeting the requirements of Article 1021.03 shall be used in the Class BD Concrete and portland cement concrete bridge deck overlays. The amount of retarding admixture to be used will be determined by the Engineer. The proportions of the ingredients of the concrete shall be the same as without the retarding admixture except that the amount of mixing water shall be reduced, as may be necessary, in order to maintain the consistency of the concrete as required. In addition, a high range water-reducing admixture shall be used in Class BD Concrete. The amount of high range water-reducing admixture will be determined by the Engineer. At the option of the Contractor, a water-reducing admixture may be used. Type I cement shall be used.

For Class PC and PS Concrete, a retarding admixture may be added to the concrete mixture when the concrete temperature is 18 °C (65 °F) or higher. Other admixtures may be used when approved by the Engineer, or if specified by the contract. If an accelerating admixture is permitted by the Engineer, it shall be the non-chloride type.

At the Contractor's option, admixtures in addition to an air-entraining admixture may be used for Class PP-1 concrete. The accelerator shall be the non-chloride type. If a water-reducing or retarding admixture is used, the cement factor may be reduced a maximum 18 kg/cu m (0.30 hundredweight/cu yd). If a high range water-reducing admixture is used, the cement factor may be reduced a maximum 36 kg/cu m (0.60 hundredweight/cu yd). Cement factor reductions shall not be cumulative when using multiple admixtures. An accelerator shall always be added prior to a high range water-reducing admixture, if both are used.

If Class C fly ash or ground granulated blast-furnace slag is used in Class PP-1 concrete, a water-reducing or high range water-reducing admixture shall be used. However, the cement factor shall not be reduced if a water-reducing, retarding, or high range water-reducing admixture is used. In addition, an accelerator shall not be used.

For Class PP-2 or PP-3 concrete, a non-chloride accelerator followed by a high range water-reducing admixture shall be used, in addition to the air-entraining admixture. For Class PP-3 concrete, the non-chloride accelerator shall be calcium nitrite.

For Class PP-2 or PP-3 concrete, the Contractor has the option to use a water-reducing admixture. A retarding admixture shall not be used unless approved by the Engineer. A water-reducing, retarding, or high range water-reducing admixture shall not be used to reduce the cement factor.

When the air temperature is less than 13 °C (55 °F) for Class PP-1 or PP-2 concrete, the non-chloride accelerator shall be calcium nitrite.

For Class PP-4 concrete, a high range water-reducing admixture shall be used in addition to the air-entraining admixture. The Contractor has the option to use a water-reducing admixture. An accelerator shall not be used. For stationary or truck mixed concrete, a retarding admixture shall be used to allow for haul time. The Contractor has the option to use a mobile portland cement concrete plant according to Article 1103.04, but a retarding admixture shall not be used unless approved by the Engineer. A water-reducing, retarding, or high range water-reducing admixture shall not be used to reduce the cement factor.

If the Department specifies a calcium chloride accelerator for Class PP-1 concrete, the maximum chloride dosage shall be 1.0 L (1.0 quart) of solution per 45 kg (100 lb) of cement. The dosage may be increased to a maximum 2.0 L (2.0 quarts) per 45 kg (100 lb) of cement if approved by the Engineer. If the Department specifies a calcium chloride accelerator for Class PP-2 concrete, the maximum chloride dosage shall be 1.3 L (1.3 quarts) of solution per 45 kg (100 lb) of cement. The dosage may be increased to a maximum 2.6 L (2.6 quarts) per 45 kg (100 lb) of cement if approved by the Engineer.

For Class PV, MS, SI, RR, SC and SH concrete, at the option of the Contractor, or when specified by the Engineer, a water-reducing admixture or a retarding admixture may be used. The amount of water-reducing admixture or retarding admixture permitted will be

determined by the Engineer. The air-entraining admixture and other admixtures shall be added to the concrete separately, and shall be permitted to intermingle only after they have separately entered the concrete batch. The sequence, method and equipment for adding the admixtures shall be approved by the Engineer. The water-reducing admixture shall not delay the initial set of the concrete by more than one hour. Type I cement shall be used.

When a water-reducing admixture is added, a cement factor reduction of up to 18 kg/cu m (0.30 hundredweight/cu yd), from the concrete designed for a specific slump without the admixture, will be permitted for Class PV, MS, SI, RR, SC and SH concrete. When an approved high range water-reducing admixture is used, a cement factor reduction of up to 36 kg/cu m (0.60 hundredweight/cu yd), from a specific water cement/ratio without the admixture, will be permitted based on a 14 percent minimum water reduction. This is applicable to Class PV, MS, SI, RR, SC and SH concrete. A cement factor below 320 kg/cu m (5.35 hundredweight/cu yd) will not be permitted for Class PV, MS, SI, RR, SC and SH concrete. A cement factor reduction will not be allowed for concrete placed underwater. Cement factor reductions shall not be cumulative when using multiple admixtures.

For use of admixtures to control concrete temperature, refer to Articles 1020.14(a) and 1020.14(b).

The maximum slumps given in Table 1 may be increased to 175 mm (7 in.) when a high range water-reducing admixture is used for all classes of concrete except Class PV and PP.”

Revise Section 1021 of the Standard Specifications to read:

#### **“SECTION 1021. CONCRETE ADMIXTURES”**

**1021.01 General.** Admixtures shall be furnished in liquid form ready for use. The admixtures may be delivered in the manufacturer's original containers, bulk tank trucks or such containers or tanks as are acceptable to the Engineer. Delivery shall be accompanied by a ticket which clearly identifies the manufacturer and trade name of the material. Containers shall be readily identifiable to the satisfaction of the Engineer as to manufacturer and trade name of the material they contain.

Prior to inclusion of a product on the Department's Approved List of Concrete Admixtures, the manufacturer shall submit a report prepared by an independent laboratory accredited by the AASHTO Accreditation Program. The report shall show the results of physical tests conducted no more than five years prior to the time of submittal, according to applicable specifications.

Tests shall be conducted using materials and methods specified on a "test" concrete and a "reference" concrete, together with a certification that no changes have been made in the formulation of the material since the performance of the tests. Per the manufacturer's option, the cement content for all required tests shall either be according to applicable specifications or 335 kg/cu m (5.65 cwt/cu yd). Compressive strength test results for six months and one year will not be required.

In addition to the report, the manufacturer shall submit AASHTO T 197 water content and set time test results on the standard cement used by the Department. The test and reference concrete mixture shall contain a cement content of 335 kg/cu m (5.65 cwt/cu yd). The manufacturer may select their lab or an independent lab to perform this testing. The laboratory is not required to be accredited by the AASHTO Accreditation Program.

Prior to the approval of an admixture, the Engineer may conduct all or part of the applicable tests on a sample that is representative of the material to be furnished. The test and reference concrete mixtures tested by the Engineer will contain a cement content of 335 kg/cu m (5.65 cwt/cu yd). For freeze-thaw testing, the Department will perform the test according to Illinois Modified AASHTO T 161, Procedure B.

The manufacturer shall include in the submittal the following information according to ASTM C 494; the average and manufacturing range of specific gravity, the average and manufacturing range of solids in the solution, and the average and manufacturing range of pH. The submittal shall also include an infrared spectrophotometer trace no more than five years old.

When test results are more than seven years old, the manufacturer shall re-submit the infrared spectrophotometer trace and the report prepared by an independent laboratory accredited by the AASHTO Accreditation Program.

All admixtures, except chloride-based accelerators, shall contain no more than 0.3 percent chloride by mass (weight).

**1021.02 Air-Entraining Admixtures.** Air-entraining admixtures shall conform to the requirements of AASHTO M 154.

If the manufacturer certifies that the air-entraining admixture is an aqueous solution of Vinsol resin that has been neutralized with sodium hydroxide (caustic soda), testing for compliance with the requirements may be waived by the Engineer. In the certification, the manufacturer shall show complete information with respect to the formulation of the solution, including the number of parts of Vinsol resin to each part of sodium hydroxide. Before the approval of its use is granted, the Engineer will test the solution for its air-entraining quality in comparison with a solution prepared and kept for that purpose.

**1021.03 Retarding and Water-Reducing Admixtures.** The admixture shall comply with the following requirements:

- (a) The retarding admixture shall comply with the requirements of AASHTO M 194, Type B (retarding) or Type D (water-reducing and retarding).
- (b) The water-reducing admixture shall comply with the requirements of AASHTO M 194, Type A.
- (c) The high range water-reducing admixture shall comply with the requirements of AASHTO M 194, Type F (high range water-reducing) or Type G (high range water-reducing and retarding).

When a Type F or Type G high range water-reducing admixture is used, water-cement ratios shall be a minimum of 0.32.

Type F or Type G admixtures may be used, subject to the following restrictions:

For Class MS, SI, RR, SC and SH concrete, the water-cement ratio shall be a maximum of 0.44.

The Type F or Type G admixture shall be added at the jobsite unless otherwise directed by the Engineer. The initial slump shall be a minimum of 40 mm (1 1/2 in.) prior to addition of the Type F or Type G admixture, except as approved by the Engineer.

When a Type F or Type G admixture is used, retempering with water or with a Type G admixture will not be allowed. An additional dosage of a Type F admixture, not to exceed 40 percent of the original dosage, may be used to retemper concrete once, provided set time is not unduly affected. A second retempering with a Type F admixture may be used for all classes of concrete except Class PP and SC, provided that the dosage does not exceed the dosage used for the first retempering, and provided that the set time is not unduly affected. No further retempering will be allowed.

Air tests shall be performed after the addition of the Type F or Type G admixture.

**1021.04 Set Accelerating Admixtures.** The admixture shall comply with the requirements of AASHTO M 194, Type C (accelerating) or Type E (water reducing and accelerating)”

#### **CURING AND PROTECTION OF CONCRETE CONSTRUCTION (BDE)**

Effective: January 1, 2004

Revised: November 1, 2005

Revise the second and third sentences of the eleventh paragraph of Article 503.06 of the Standard Specifications to read:

“Forms on substructure units shall remain in place at least 24 hours. The method of form removal shall not result in damage to the concrete.”

Delete the twentieth paragraph of Article 503.22 of the Standard Specifications.

Revise the “Unit Price Adjustments” table of Article 503.22 of the Standard Specifications to read:

"UNIT PRICE ADJUSTMENTS	
Type of Construction	Percent Adjustment in Unit Price
For concrete in substructures, culverts (having a waterway opening of more than 1 sq m (10 sq ft)), pump houses, and retaining walls (except concrete pilings, footings and foundation seals): When protected by: Protection Method II Protection Method I	   115% 110%
For concrete in superstructures: When protected by: Protection Method II Protection Method I	   123% 115%
For concrete in footings: When protected by: Protection Method I, II or III	   107%
For concrete in slope walls: When protected by: Protection Method I	   107%"

Delete the fourth paragraph of Article 504.05(a) of the Standard Specifications.

Revise the second and third sentences of the fifth paragraph of Article 504.05(a) of the Standard Specifications to read:

"All test specimens shall be cured with the units according to Article 1020.13."

Revise the first paragraph of Article 504.06(c)(6) of the Standard Specifications to read:

"Curing and Low Air Temperature Protection. The curing and protection for precast, prestressed concrete members shall be according to Article 1020.13 and this Article."

Revise the first sentence of the second paragraph of Article 504.06(c)(6) of the Standard Specifications to read:

"For curing, air vents shall be in place and shall be so arranged that no water can enter the void tubes during the curing of the members."

Revise the first sentence of the third paragraph of Article 504.06(c)(6) of the Standard Specifications to read:

"As soon as each member is finished, the concrete shall be covered with curing material according to Article 1020.13."

Revise the eighth paragraph of Article 504.06(c)(6) of the Standard Specifications to read:

"The prestressing force shall not be transferred to any member before the concrete has attained the compressive strength of 28,000 kPa (4000 psi) or other higher compressive release strength specified on the plans, as determined from tests of

150 mm (6 in.) by 300 mm (12 in.) cylinders cured with the member according to Article 1020.13. Members shall not be shipped until 28-day strengths have been attained and members have a yard age of at least 4 days.”

Delete the third paragraph of Article 512.03(a) of the Standard Specifications.

Delete the last sentence of the second paragraph of Article 512.04(d) of the Standard Specifications.

Revise the “Index Table of Curing and Protection of Concrete Construction” table of Article 1020.13 of the Standard Specifications to read:

"INDEX TABLE OF CURING AND PROTECTION OF CONCRETE CONSTRUCTION"			
TYPE OF CONSTRUCTION	CURING METHODS	CURING PERIOD DAYS	LOW AIR TEMPERATURE PROTECTION METHODS
<b>Cast-in-Place Concrete:</b> <sup>11/</sup>			
Pavement			
Shoulder	1020.13(a)(1)(2)(3)(4)(5) <sup>3/ 5/</sup>	3	1020.13(c)
Base Course			
Base Course Widening	1020.13(a)(1)(2)(3)(4)(5) <sup>1/ 2/</sup>	3	1020.13(c)
Driveway			
Median			
Curb			
Gutter	1020.13(a)(1)(2)(3)(4)(5) <sup>4/ 5/</sup>	3	1020.13(c) <sup>16/</sup>
Curb and Gutter			
Sidewalk			
Slope Wall			
Paved Ditch			
Catch Basin			
Manhole	1020.13(a)(1)(2)(3)(4)(5) <sup>4/</sup>	3	1020.13(c)
Inlet			
Valve Vault			
Pavement Patching	1020.13(a)(1)(2)(3)(4)(5) <sup>2/</sup>	3 <sup>12/</sup>	1020.13(c)
Pavement Replacement	1020.13(a)(1)(2)(3)(4)(5) <sup>1/ 2/</sup>	3	442.06(h) and 1020.13(c)
Railroad Crossing	1020.13(a)(3)(5)	1	1020.13(c)
Piles	1020.13(a)(3)(5)	7	1020.13(e)(1)(2)(3)
Footings			
Foundation Seals	1020.13(a)(1)(2)(3)(4)(5) <sup>4/ 6/</sup>	7	1020.13(e)(1)(2)(3)
Substructure	1020.13(a)(1)(2)(3)(4)(5) <sup>1/ 7/</sup>	7	1020.13(e)(1)(2)(3)
Superstructure (except deck)	1020.13(a)(1)(2)(3)(5) <sup>8/</sup>	7	1020.13(e)(1)(2)
Deck	1020.13(a)(5)	7	1020.13(e)(1)(2) <sup>17/</sup>
Retaining Walls	1020.13(a)(1)(2)(3)(4)(5) <sup>1/ 7/</sup>	7	1020.13(e)(1)(2)
Pump Houses	1020.13(a)(1)(2)(3)(4)(5) <sup>1/</sup>	7	1020.13(e)(1)(2)
Culverts	1020.13(a)(1)(2)(3)(4)(5) <sup>4/ 6/</sup>	7	1020.13(e)(1)(2) <sup>18/</sup>
Other Incidental Concrete	1020.13(a)(1)(2)(3)(5)	3	1020.13(c)
<b>Precast Concrete:</b> <sup>11/</sup>			
Bridge Beams			
Piles			
Bridge Slabs	1020.13(a)(3)(5) <sup>9/ 10/</sup>	As required. <sup>13/</sup>	504.06(c)(6), 1020.13(e)(2) <sup>19/</sup>
Nelson Type Structural Member			
All Other Precast Items	1020.13(a)(3)(4)(5) <sup>2/ 9/ 10/</sup>	As required. <sup>14/</sup>	504.06(c)(6), 1020.13(e)(2) <sup>19/</sup>

<b>Precast, Prestressed Concrete:</b> <sup>11/</sup>		
All Items	1020.13(a)(3)(5) <sup>9/ 10/</sup>	Until strand tensioning is released. <sup>15/</sup> 504.06(c)(6), 1020.13(e)(2) <sup>19/</sup>

Notes-General:

- 1/ Type I, membrane curing only
- 2/ Type II, membrane curing only
- 3/ Type III, membrane curing only
- 4/ Type I, II and III membrane curing
- 5/ Membrane curing will not be permitted between November 1 and April 15.
- 6/ The use of water to inundate footings, foundation seals or the bottom slab of culverts is permissible when approved by the Engineer, provided the water temperature can be maintained at 7 °C ( 45 °F) or higher.
- 7/ Asphalt Emulsion for Waterproofing may be used in lieu of other curing methods when specified and permitted according to Article 503.18.
- 8/ On non-traffic surfaces which receive protective coat according to Article 503.19, a linseed oil emulsion curing compound may be used as a substitute for protective coat and other curing methods. The linseed emulsion curing compound will be permitted between April 16 and October 31 of the same year, provided it is applied with a mechanical sprayer according to Article 1101.09 (b), and meets the material requirements of Article 1022.07.
- 9/ Steam curing (heat and moisture) is acceptable and shall be accomplished by the method specified in Article 504.06(c)(6).
- 10/ A moist room according to AASHTO M 201 is acceptable for curing.
- 11/ If curing is required and interrupted because of form removal for cast-in-place concrete items, precast concrete products, or precast prestressed concrete products, the curing shall be resumed within two hours from the start of the form removal.
- 12/ Curing maintained only until opening strength is attained, with a maximum curing period of three days.
- 13/ The curing period shall end when the concrete has attained the mix design strength. The producer has the option to discontinue curing when the concrete has attained 80 percent of the mix design strength or after seven days. All strength test specimens shall remain with the units and shall be subjected to the same curing method and environmental condition as the units, until the time of testing.
- 14/ The producer shall determine the curing period or may elect to not cure the product. All strength test specimens shall remain with the units and shall be subjected to the same curing method and environmental condition as the units, until the time of testing.
- 15/ The producer has the option to continue curing after strand release.
- 16/ When structural steel or structural concrete is in place above slope wall, Article 1020.13(c) shall not apply. The protection method shall be according to Article 1020.13(e)(1).
- 17/ When Article 1020.13(e)(2) is used to protect the deck, the housing may enclose only the bottom and sides. The top surface shall be protected according to Article 1020.13(e)(1).
- 18/ For culverts having a waterway opening of 1 sq m (10 sq ft) or less, the culverts may be protected according to Article 1020.13(e)(3).



- 19/ The seven day protection period in the first paragraph of Article 1020.13(e)(2) shall not apply. The protection period shall end when curing is finished. For the third paragraph of Article 1020.13(e)(2), the decrease in temperature shall be according to Article 504.06(c)(6)."

Add the following to Article 1020.13(a) of the Standard Specifications:

"(5) Wetted Cotton Mat Method. After the surface of concrete has been textured or finished, it shall be covered immediately with dry cotton mats. The cotton mats shall be placed in a manner which will not mar the concrete surface. A texture resulting from the cotton mat material is acceptable. The cotton mats shall then be wetted immediately and thoroughly soaked with a gentle spray of water. For bridge decks, a foot bridge shall be used to place and wet the cotton mats.

The cotton mats shall be maintained in a wetted condition until the concrete has hardened sufficiently to place soaker hoses without marring the concrete surface. The soaker hoses shall be placed on top of the cotton mats at a maximum 1.2 m (4 ft) spacing. The cotton mats shall be kept wet with a continuous supply of water for the remainder of the curing period. Other continuous wetting systems may be used if approved by the Engineer.

After placement of the soaker hoses, the cotton mats shall be covered with white polyethylene sheeting or burlap-polyethylene blankets.

For construction items other than bridge decks, soaker hoses or a continuous wetting system will not be required if the alternative method keeps the cotton mats wet. Periodic wetting of the cotton mats is acceptable.

For areas inaccessible to the cotton mats on bridge decks, curing shall be according to Article 1020.13(a)(3)."

Revise the first paragraph of Article 1020.13(c) of the Standard Specifications to read:

"Protection of Portland Cement Concrete, Other Than Structures, From Low Air Temperatures. When the official National Weather Service forecast for the construction area predicts a low of 0 °C (32 °F), or lower, or if the actual temperature drops to 0 °C (32 °F), or lower, concrete less than 72 hours old shall be provided at least the following protection:"

Delete Article 1020.13(d) and Articles 1020.13(d)(1),(2),(3),(4) of the Standard Specifications.

Revise the first five paragraphs of Article 1020.13(e) of the Standard Specifications to read:

"Protection of Portland Cement Concrete Structures From Low Air Temperatures. When the official National Weather Service Forecast for the construction area predicts a low below 7 °C (45 °F), or if the actual temperature drops below 7 °C (45 °F), concrete less than 72 hours old shall be provided protection. Concrete shall also be provided protection when placed during the winter period of December 1 through March 15. Concrete shall not be placed until the materials, facilities, and equipment for protection are approved by the Engineer.

When directed by the Engineer, the Contractor may be required to place concrete during the winter period. If winter construction is specified, the Contractor shall proceed with the construction, including concrete, excavation, pile driving, steel erection, and all appurtenant work required for the complete construction of the item, except at times when weather conditions make such operations impracticable.

Regardless of the precautions taken, the Contractor shall be responsible for protection of the concrete placed and any concrete damaged by cold temperatures shall be removed and replaced at no additional cost to the Department.”

Add the following at the end of the third paragraph of Article 1020.13(e)(1) of the Standard Specifications:

“The Contractor shall provide means for checking the temperature of the surface of the concrete during the protection period.”

Revise the second sentence of the first paragraph of Article 1020.13(e)(2) of the Standard Specifications to read:

“The Contractor shall provide means for checking the temperature of the surface of the concrete or air temperature within the housing during the protection period.”

Delete the last sentence of the first paragraph of Article 1020.13(e)(3) of the Standard Specifications.

Add the following Article to Section 1022 of the Standard Specifications:

**“1022.06 Cotton Mats.** Cotton mats shall consist of a cotton fill material, minimum 400 g/sq m (11.8 oz/sq yd), covered with unsized cloth or burlap, minimum 200 g/sq m (5.9 oz/sq yd), and be tufted or stitched to maintain stability.

Cotton mats shall be in a condition satisfactory to the Engineer. Any tears or holes in the mats shall be repaired.”

Add the following Article to Section 1022 of the Standard Specifications:

**“1022.07 Linseed Oil Emulsion Curing Compound.** Linseed oil emulsion curing compound shall be composed of a blend of boiled linseed oil and high viscosity, heavy bodied linseed oil emulsified in a water solution. The curing compound shall meet the requirements of a Type I according to Article 1022.01, except the drying time requirement will be waived. The oil phase shall be 50 ± 4 percent by volume. The oil phase shall consist of 80 percent by mass (weight) boiled linseed oil and 20 percent by mass (weight) Z-8 viscosity linseed oil. The water phase shall be 50 ± 4 percent by volume.”

Revise Article 1020.14 of the Standard Specifications to read:

**“1020.14 Temperature Control for Placement.** Temperature control for concrete placement shall be according to the following.

- (a) Temperature Control other than Structures. The temperature of the concrete immediately before placement shall be a minimum of 10 °C (50 °F) and a maximum of 32 °C (90 °F). Aggregates and/or water shall be heated or cooled as necessary to produce concrete within these temperature limits.

When the temperature of the plastic concrete reaches 30 °C (85 °F), an approved retarding admixture shall be used or the approved water reducing admixture in use shall have its dosage increased by 50 percent over the dosage recommended on the Department's Approved List of Concrete Admixtures for the temperature experienced. The amount of retarding admixture to be used will be determined by the Engineer. This requirement may be waived by the Engineer when fly ash compensated mixtures are used.

Plastic concrete temperatures up to 35 °C (96 °F), as placed, may be permitted provided job site conditions permit placement and finishing without excessive use of water on and/or overworking of the surface. The occurrence within 24 hours of unusual surface distress shall be cause to revert to a maximum 32 °C (90 °F) plastic concrete temperature.

Concrete shall not be placed when the air temperature is below 5 °C (40 °F) and falling or below 2 °C (35 °F), without permission of the Engineer. When placing of concrete is authorized during cold weather, the Engineer may require the water and/or the aggregates to be heated to between 20 °C (70 °F) and 65 °C (150 °F). The aggregates may be heated by either steam or dry heat prior to being placed in the mixer. The apparatus used shall heat the mass uniformly and shall be so arranged as to preclude the possible occurrence of overheated areas which might damage the materials. No frozen aggregates shall be used in the concrete.

For pavement patching, refer to Article 442.06(e) for additional information on temperature control for placement.

- (b) Temperature Control for Structures. The temperature of the concrete, as placed in the forms, shall be a minimum of 10 °C (50 °F) and a maximum of 32 °C (90 °F). Aggregates and/or water shall be heated or cooled as necessary to produce concrete within these temperature limits. When insulated forms are used, the temperature of the concrete mixture shall not exceed 25 °C (80 °F). If the Engineer determines that heat of hydration might cause excessive temperatures in the concrete, the concrete shall be placed at a temperature between 10 °C (50 °F) and 15 °C (60 °F). When concrete is placed in contact with previously placed concrete, the temperature of the concrete may be increased as required to offset anticipated heat loss.

Concrete shall not be placed when the air temperature is below 7 °C (45 °F) and falling or below 4 °C (40 °F), without permission of the Engineer. When placing of concrete is authorized during cold weather, the Engineer may require the water and/or the aggregates to be heated to between 20 °C (70 °F) and 65 °C (150 °F). The aggregates may be heated by either steam or dry heat prior to being placed in the mixer. The

apparatus used shall heat the mass uniformly and shall be so arranged as to preclude the possible occurrence of overheated areas which might damage the materials. No frozen aggregates shall be used in the concrete.

When the temperature of the plastic concrete reaches 30 °C (85 °F), an approved retarding admixture shall be used or the approved water reducing admixture in use shall have its dosage increased by 50 percent over the dosage recommended on the Department's Approved List of Concrete Admixtures for the temperature experienced. The amount of retarding admixture to be used will be determined by the Engineer. This requirement may be waived by the Engineer when fly ash compensated mixtures are used.

(c) Temperature. The concrete temperature shall be determined according to ASTM C 1064.”

### **DISADVANTAGED BUSINESS ENTERPRISE PARTICIPATION**

Effective: September 1, 2000

Revised: June 22, 2005

FEDERAL OBLIGATION. The Department of Transportation, as a recipient of federal financial assistance, is required to take all necessary and reasonable steps to ensure nondiscrimination in the award and administration of contracts. Consequently, the federal regulatory provisions of 49 CFR part 26 apply to this contract concerning the utilization of disadvantaged business enterprises. For the purposes of this Special Provision, a disadvantaged business enterprise (DBE) means a business certified by the Department in accordance with the requirements of 49 CFR part 26 and listed in the DBE Directory or most recent addendum.

STATE OBLIGATION. This Special Provision will also be used by the Department to satisfy the requirements of the Business Enterprise for Minorities, Females, and Persons with Disabilities Act, 30 ILCS 575. When this Special Provision is used to satisfy state law requirements on 100% state-funded contracts, the federal government has no involvement in such contracts (not a federal-aid contract) and no responsibility to oversee the implementation of this Special Provision by the Department on those contracts. DBE participation on 100% state-funded contracts will not be credited toward fulfilling the Department's annual overall DBE goal required by the US Department of Transportation to comply with the federal DBE program requirements.

CONTRACTOR ASSURANCE. The Contractor makes the following assurance and agrees to include the assurance in each subcontract that the Contractor signs with a subcontractor:

The Contractor, subrecipient, or subcontractor shall not discriminate on the basis of race, color, national origin, or sex in the performance of this contract. The Contractor shall carry out applicable requirements of 49 CFR part 26 in the award and administration of contracts funded in whole or in part with federal or state funds. Failure by the Contractor to carry out these requirements is a material breach of this contract, which may result in the termination of this contract or such other remedy as the recipient deems appropriate.

OVERALL GOAL SET FOR THE DEPARTMENT. As a requirement of compliance with 49 CFR part 26, the Department has set an overall goal for DBE participation in its federally assisted contracts. That goal applies to all federal-aid funds the Department will expend in its federally assisted contracts for the subject reporting fiscal year. The Department is required to make a good faith effort to achieve the overall goal. The dollar amount paid to all approved DBE firms performing work called for in this contract is eligible to be credited toward fulfillment of the Department's overall goal.

CONTRACT GOAL TO BE ACHIEVED BY THE CONTRACTOR. This contract includes a specific DBE utilization goal established by the Department. The goal has been included because the Department has determined that the work of this contract has subcontracting opportunities that may be suitable for performance by DBE companies. This determination is based on an assessment of the type of work, the location of the work, and the availability of DBE companies to do a part of the work. The assessment indicates that, in the absence of unlawful discrimination, and in an arena of fair and open competition, DBE companies can be expected to perform 4.00% of the work. This percentage is set as the DBE participation goal for this contract. Consequently, in addition to the other award criteria established for this contract, the Department will award this contract to a bidder who makes a good faith effort to meet this goal of DBE participation in the performance of the work. A bidder makes a good faith effort for award consideration if either of the following is done in accordance with the procedures set forth in this Special Provision:

- (a) The bidder documents that firmly committed DBE participation has been obtained to meet the goal; or
- (b) The bidder documents that a good faith effort has been made to meet the goal, even though the effort did not succeed in obtaining enough DBE participation to meet the goal.

DBE LOCATOR REFERENCES. Bidders may consult the DBE Directory as a reference source for DBE companies certified by the Department. In addition, the Department maintains a letting and item specific DBE locator information system whereby DBE companies can register their interest in providing quotes on particular bid items advertised for letting. Information concerning DBE companies willing to quote work for particular contracts may be obtained by contacting the Department's Bureau of Small Business Enterprises at telephone number (217)785-4611, or by visiting the Department's web site at [www.dot.il.gov](http://www.dot.il.gov).

BIDDING PROCEDURES. Compliance with the bidding procedures of this Special Provision is required prior to the award of the contract and the failure of the as-read low bidder to comply will render the bid not responsive.

- (a) In order to assure the timely award of the contract, the as-read low bidder shall submit a Disadvantaged Business Utilization Plan on Department form SBE 2026 within seven (7) working days after the date of letting. To meet the seven (7) day requirement, the bidder may send the Plan by certified mail or delivery service within the seven (7) working day period. If a question arises concerning the mailing date of a Plan, the mailing date will be established by the U.S. Postal Service postmark on the original certified mail receipt from the U.S. Postal Service or the receipt issued by a delivery service. It is the

responsibility of the bidder to ensure that the postmark or receipt date is affixed within the seven (7) working days if the bidder intends to rely upon mailing or delivery to satisfy the submission day requirement. The Plan is to be submitted to the Department of Transportation, Bureau of Small Business Enterprises, Contract Compliance Section, 2300 South Dirksen Parkway, Room 319, Springfield, Illinois 62764 (Telefax: (217)785-1524). It is the responsibility of the bidder to obtain confirmation of telefax delivery. The Department will not accept a Utilization Plan if it does not meet the seven (7) day submittal requirement and the bid will be declared not responsive. In the event the bid is declared not responsive due to a failure to submit a Plan or failure to comply with the bidding procedures set forth herein, the Department may elect to cause the forfeiture of the penal sum of the bidder's proposal guaranty, and may deny authorization to bid the project if re-advertised for bids. The Department reserves the right to invite any other bidder to submit a Utilization Plan at any time for award consideration or to extend the time for award.

- (b) The Utilization Plan shall indicate that the bidder either has obtained sufficient DBE participation commitments to meet the contract goal or has not obtained enough DBE participation commitments in spite of a good faith effort to meet the goal. The Utilization Plan shall further provide the name, telephone number, and telefax number of a responsible official of the bidder designated for purposes of notification of plan approval or disapproval under the procedures of this Special Provision.
- (c) The Utilization Plan shall include a DBE Participation Commitment Statement, Department form SBE 2025, for each DBE proposed for the performance of work to achieve the contract goal. The signatures on these forms must be original signatures. All elements of information indicated on the said form shall be provided, including but not limited to the following:
  - (1) The name and address of each DBE to be used;
  - (2) A description, including pay item numbers, of the commercially useful work to be done by each DBE;
  - (3) The price to be paid to each DBE for the identified work specifically stating the quantity, unit price, and total subcontract price for the work to be completed by the DBE. If partial pay items are to be performed by the DBE, indicate the portion of each item, a unit price where appropriate and the subcontract price amount;
  - (4) A commitment statement signed by the bidder and each DBE evidencing availability and intent to perform commercially useful work on the project; and
  - (5) If the bidder is a joint venture comprised of DBE firms and non-DBE firms, the plan must also include a clear identification of the portion of the work to be performed by the DBE partner(s).
- (d) The contract will not be awarded until the Utilization Plan submitted by the bidder is approved. The Utilization Plan will be approved by the Department if the Plan commits sufficient commercially useful DBE work performance to meet the contract goal. The

Utilization Plan will not be approved by the Department if the Plan does not commit sufficient DBE performance to meet the contract goal unless the bidder documents that it made a good faith effort to meet the goal. The good faith procedures of Section VIII of this special provision apply. If the Utilization Plan is not approved because it is deficient in a technical matter, unless waived by the Department, the bidder will be notified and will be allowed no less than a five (5) working day period in order to cure the deficiency.

CALCULATING DBE PARTICIPATION. The Utilization Plan values represent work anticipated to be performed and paid for upon satisfactory completion. The Department is only able to count toward the achievement of the overall goal and the contract goal the value of payments made for the work actually performed by DBE companies. In addition, a DBE must perform a commercially useful function on the contract to be counted. A commercially useful function is generally performed when the DBE is responsible for the work and is carrying out its responsibilities by actually performing, managing, and supervising the work involved. The Department and Contractor are governed by the provisions of 49 CFR part 26.55(c) on questions of commercially useful functions as it affects the work. Specific counting guidelines are provided in 49 CFR part 26.55, the provisions of which govern over the summary contained herein.

- (a) DBE as the Contractor: 100% goal credit for that portion of the work performed by the DBE's own forces, including the cost of materials and supplies. Work that a DBE subcontracts to a non-DBE firm does not count toward the DBE goals.
- (b) DBE as a joint venture Contractor: 100% goal credit for that portion of the total dollar value of the contract equal to the distinct, clearly defined portion of the work performed by the DBE's own forces.
- (c) DBE as a subcontractor: 100% goal credit for the work of the subcontract performed by the DBE's own forces, including the cost of materials and supplies, excluding the purchase of materials and supplies or the lease of equipment by the DBE subcontractor from the prime Contractor or its affiliates. Work that a DBE subcontractor in turn subcontracts to a non-DBE firm does not count toward the DBE goal.
- (d) DBE as a trucker: 100% goal credit for trucking participation provided the DBE is responsible for the management and supervision of the entire trucking operation for which it is responsible. At least one truck owned, operated, licensed, and insured by the DBE must be used on the contract. Credit will be given for the full value of all such DBE trucks operated using DBE employed drivers. Goal credit will be limited to the value of the reasonable fee or commission received by the DBE if trucks are leased from a non-DBE company.
- (e) DBE as a material supplier:
  - (1) 60% goal credit for the cost of the materials or supplies purchased from a DBE regular dealer.
  - (2) 100% goal credit for the cost of materials or supplies obtained from a DBE manufacturer.

- (3) 100% credit for the value of reasonable fees and commissions for the procurement of materials and supplies if not a regular dealer or manufacturer.

GOOD FAITH EFFORT PROCEDURES. If the bidder cannot obtain sufficient DBE commitments to meet the contract goal, the bidder must document in the Utilization Plan the good faith efforts made in the attempt to meet the goal. This means that the bidder must show that all necessary and reasonable steps were taken to achieve the contract goal. Necessary and reasonable steps are those which could reasonably be expected to obtain sufficient DBE participation. The Department will consider the quality, quantity, and intensity of the kinds of efforts that the bidder has made. Mere *pro forma* efforts are not good faith efforts; rather, the bidder is expected to have taken those efforts that would be reasonably expected of a bidder actively and aggressively trying to obtain DBE participation sufficient to meet the contract goal.

- (a) The following is a list of types of action that the Department will consider as part of the evaluation of the bidder's good faith efforts to obtain participation. These listed factors are not intended to be a mandatory checklist and are not intended to be exhaustive. Other factors or efforts brought to the attention of the Department may be relevant in appropriate cases, and will be considered by the Department.
  - (1) Soliciting through all reasonable and available means (e.g. attendance at pre-bid meetings, advertising and/or written notices) the interest of all certified DBE companies that have the capability to perform the work of the contract. The bidder must solicit this interest within sufficient time to allow the DBE companies to respond to the solicitation. The bidder must determine with certainty if the DBE companies are interested by taking appropriate steps to follow up initial solicitations.
  - (2) Selecting portions of the work to be performed by DBE companies in order to increase the likelihood that the DBE goals will be achieved. This includes, where appropriate, breaking out contract work items into economically feasible units to facilitate DBE participation, even when the prime Contractor might otherwise prefer to perform these work items with its own forces.
  - (3) Providing interested DBE companies with adequate information about the plans, specifications, and requirements of the contract in a timely manner to assist them in responding to a solicitation.
  - (4) a. Negotiating in good faith with interested DBE companies. It is the bidder's responsibility to make a portion of the work available to DBE subcontractors and suppliers and to select those portions of the work or material needs consistent with the available DBE subcontractors and suppliers, so as to facilitate DBE participation. Evidence of such negotiation includes the names, addresses, and telephone numbers of DBE companies that were considered; a description of the information provided regarding the plans and specifications for the work selected for subcontracting; and evidence as to why additional agreements could not be reached for DBE companies to perform the work.



- b. A bidder using good business judgment would consider a number of factors in negotiating with subcontractors, including DBE subcontractors, and would take a firm's price and capabilities as well as contract goals into consideration. However, the fact that there may be some additional costs involved in finding and using DBE companies is not in itself sufficient reason for a bidder's failure to meet the contract DBE goal, as long as such costs are reasonable. Also, the ability or desire of a bidder to perform the work of a contract with its own organization does not relieve the bidder of the responsibility to make good faith efforts. Bidders are not, however, required to accept higher quotes from DBE companies if the price difference is excessive or unreasonable.
- (5) Not rejecting DBE companies as being unqualified without sound reasons based on a thorough investigation of their capabilities. The bidder's standing within its industry, membership in specific groups, organizations, or associations and political or social affiliations (for example union vs. non-union employee status) are not legitimate causes for the rejection or non-solicitation of bids in the bidder's efforts to meet the project goal.
  - (6) Making efforts to assist interested DBE companies in obtaining bonding, lines of credit, or insurance as required by the recipient or Contractor.
  - (7) Making efforts to assist interested DBE companies in obtaining necessary equipment, supplies, materials, or related assistance or services.
  - (8) Effectively using the services of available minority/women community organizations; minority/women contractors' groups; local, state, and federal minority/women business assistance offices; and other organizations as allowed on a case-by-case basis to provide assistance in the recruitment and placement of DBE companies.
- (b) If the Department determines that the bidder has made a good faith effort to secure the work commitment of DBE companies to meet the contract goal, the Department will award the contract provided that it is otherwise eligible for award. If the Department determines that a good faith effort has not been made, the Department will notify the bidder of that preliminary determination by contacting the responsible company official designated in the Utilization Plan. The preliminary determination shall include a statement of reasons why good faith efforts have not been found, and may include additional good faith efforts that the bidder could take. The notification will designate a five (5) working day period during which the bidder shall take additional efforts. The bidder is not limited by a statement of additional efforts, but may take other action beyond any stated additional efforts in order to obtain additional DBE commitments. The bidder shall submit an amended Utilization Plan if additional DBE commitments to meet the contract goal are secured. If additional DBE commitments sufficient to meet the contract goal are not secured, the bidder shall report the final good faith efforts made in the time allotted. All additional efforts taken by the bidder will be considered as part of the bidder's good faith efforts. If the bidder is not able to meet the goal after taking additional efforts, the Department will make a pre-final determination of the good faith efforts of the bidder and will notify the designated responsible company official of the reasons for an adverse determination.

- (c) The bidder may request administrative reconsideration of a pre-final determination adverse to the bidder within the five (5) working days after the notification date of the determination by delivering the request to the Department of Transportation, Bureau of Small Business Enterprises, Contract Compliance Section, 2300 South Dirksen Parkway, Room 319, Springfield, Illinois 62764 (Telefax: (217)785-1524). Deposit of the request in the United States mail on or before the fifth business day shall not be deemed delivery. The pre-final determination shall become final if a request is not made and delivered. A request may provide additional written documentation and/or argument concerning the issue of whether an adequate good faith effort was made to meet the contract goal. In addition, the request shall be considered a consent by the bidder to extend the time for award. The request will be forwarded to the Department's Reconsideration Officer. The Reconsideration Officer will extend an opportunity to the bidder to meet in person in order to consider all issues of whether the bidder made a good faith effort to meet the goal. After the review by the Reconsideration Officer, the bidder will be sent a written decision within ten (10) working days after receipt of the request for reconsideration, explaining the basis for finding that the bidder did or did not meet the goal or make adequate good faith efforts to do so. A final decision by the Reconsideration Officer that a good faith effort was made shall approve the Utilization Plan submitted by the bidder and shall clear the contract for award. A final decision that a good faith effort was not made shall render the bid not responsive.

**CONTRACT COMPLIANCE.** Compliance with this Special Provision is an essential part of the contract. The Department is prohibited by federal regulations from crediting the participation of a DBE included in the Utilization Plan toward either the contract goal or the Department's overall goal until the amount to be applied toward the goals has been paid to the DBE. The following administrative procedures and remedies govern the compliance by the Contractor with the contractual obligations established by the Utilization Plan. After approval of the Plan and award of the contract, the Utilization Plan and individual DBE Participation Statements become part of the contract. If the Contractor did not succeed in obtaining enough DBE participation to achieve the advertised contract goal, and the Utilization Plan was approved and contract awarded based upon a determination of good faith, the total dollar value of DBE work calculated in the approved Utilization Plan as a percentage of the awarded contract value shall become the amended contract goal.

- (a) No amendment to the Utilization Plan may be made without prior written approval from the Department's Bureau of Small Business Enterprises. All requests for amendment to the Utilization Plan shall be submitted to the Department of Transportation, Bureau of Small Business Enterprises, Contract Compliance Section, 2300 South Dirksen Parkway, Room 319, Springfield, Illinois 62764. Telephone number (217) 785-4611. Telefax number (217) 785-1524.
- (b) All work indicated for performance by an approved DBE shall be performed, managed, and supervised by the DBE executing the Participation Statement. The Contractor shall not terminate for convenience a DBE listed in the Utilization Plan and then perform the work of the terminated DBE with its own forces, those of an affiliate or those of another subcontractor, whether DBE or not, without first obtaining the written consent of the Bureau of Small Business Enterprises to amend the Utilization Plan. If a DBE listed in

the Utilization Plan is terminated for reasons other than convenience, or fails to complete its work on the contract for any reason, the Contractor shall make good faith efforts to find another DBE to substitute for the terminated DBE. The good faith efforts shall be directed at finding another DBE to perform at least the same amount of work under the contract as the DBE that was terminated, but only to the extent needed to meet the contract goal or the amended contract goal. The Contractor shall notify the Bureau of Small Business Enterprises of any termination for reasons other than convenience, and shall obtain approval for inclusion of the substitute DBE in the Utilization Plan. If good faith efforts following a termination of a DBE for cause are not successful, the Contractor shall contact the Bureau and provide a full accounting of the efforts undertaken to obtain substitute DBE participation. The Bureau will evaluate the good faith efforts in light of all circumstances surrounding the performance status of the contract, and determine whether the contract goal should be amended.

- (c) The Contractor shall maintain a record of payments for work performed to the DBE participants. The records shall be made available to the Department for inspection upon request. After the performance of the final item of work or delivery of material by a DBE and final payment therefor to the DBE by the Contractor, but not later than thirty (30) calendar days after payment has been made by the Department to the Contractor for such work or material, the Contractor shall submit a DBE Payment Report on Department form SBE 2115 to the Regional Engineer. If full and final payment has not been made to the DBE, the Report shall indicate whether a disagreement as to the payment required exists between the Contractor and the DBE or if the Contractor believes that the work has not been satisfactorily completed. If the Contractor does not have the full amount of work indicated in the Utilization Plan performed by the DBE companies indicated in the Plan, the Department will deduct from contract payments to the Contractor the amount of the goal not achieved as liquidated and ascertained damages.
- (d) The Department reserves the right to withhold payment to the Contractor to enforce the provisions of this Special Provision. Final payment shall not be made on the contract until such time as the Contractor submits sufficient documentation demonstrating achievement of the goal in accordance with this Special Provision or after liquidated damages have been determined and collected.
- (e) Notwithstanding any other provision of the contract, including but not limited to Article 109.09 of the Standard Specifications, the Contractor may request administrative reconsideration of a decision to deduct the amount of the goal not achieved as liquidated damages. A request to reconsider shall be delivered to the Contract Compliance Section and shall be handled and considered in the same manner as set forth in paragraph (c) of "Good Faith Effort Procedures" of this Special Provision, except a final decision that a good faith effort was not made during contract performance to achieve the goal agreed to in the Utilization Plan shall be the final administrative decision of the Department.

**FLAGGER VESTS (BDE)**

Effective: April 1, 2003

Revised: January 1, 2006

Revise the first sentence of Article 701.04(c)(1) of the Standard Specifications to read:

“The flagger shall be stationed to the satisfaction of the Engineer and be equipped with a fluorescent orange, fluorescent yellow/green or a combination of fluorescent orange and fluorescent yellow/green vest meeting the requirements of the American National Standards Institute specification ANSI/ISEA 107-2004 for Conspicuity Class 2 garments and approved flagger traffic control signs conforming to Standard 702001 and Article 702.05(e).”

Revise Article 701.04(c)(6) of the Standard Specifications to read:

“(6) Nighttime Flagging. Flaggers shall be illuminated by an overhead light source providing a minimum vertical illuminance of 108 lux (10 fc) measured 300 mm (1 ft) out from the flagger’s chest. The bottom of any luminaire shall be a minimum of 3 m (10 ft) above the pavement. Luminaire(s) shall be shielded to minimize glare to approaching traffic and trespass light to adjoining properties.

The flagger vest shall be a fluorescent orange or fluorescent orange and fluorescent yellow/green vest meeting the requirements of the American National Standards Institute specification ANSI/ISEA 107-1999 for Conspicuity Class 3 garments.”

**HAND VIBRATOR (BDE)**

Effective: November 1, 2003

Add the following paragraph to Article 1103.17(a) of the Standard Specifications:

“The vibrator shall have a non-metallic head for areas containing epoxy coated reinforcement. The head shall be coated by the manufacturer. The hardness of the non-metallic head shall be less than the epoxy coated reinforcement, resulting in no damage to the epoxy coating. Slip-on covers will not be allowed.”

**PARTIAL PAYMENTS (BDE)**

Effective: September 1, 2003

Revise Article 109.07 of the Standard Specifications to read:

“**109.07 Partial Payments.** Partial payments will be made as follows:

- (a) Progress Payments. At least once each month, the Engineer will make a written estimate of the amount of work performed in accordance with the contract, and the value thereof at the contract unit prices. The amount of the estimate approved as due for payment will be vouchered by the Department and presented to the State Comptroller for payment. No amount less than \$1000.00 will be approved for payment other than the final payment.

The failure to perform any requirement, obligation, or term of the contract by the Contractor shall be reason for withholding any progress payments until the Department determines that compliance has been achieved. Furthermore, progress payments may be reduced by liens filed pursuant to Section 23(c) of the Mechanics Lien Act, 770 ILCS 60/23(c).

- (b) **Material Allowances.** At the discretion of the Department, payment may be made for materials, prior to their use in the work, when satisfactory evidence is presented by the Contractor. Satisfactory evidence includes justification for the allowance (to expedite the work, meet project schedules, regional or national material shortages, etc.), documentation of material and transportation costs, and evidence that such material is properly stored on the project or at a secure location acceptable and accessible to the Department.

Material allowances will be considered only for nonperishable materials when the cost, including transportation, exceeds \$10,000 and such materials are not expected to be utilized within 60 days of the request for the allowance. For contracts valued under \$500,000, the minimum \$10,000 requirement may be met by combining the principal (material) product of no more than two contract items. An exception to this two item limitation may be considered for any contract regardless of value for items in which material (products) are similar except for type and/or size.

Material allowances shall not exceed the value of the contract items in which used and shall not include the cost of installation or related markups. Amounts paid by the Department for material allowances will be deducted from estimates due the Contractor as the material is used. Two-sided copies of the Contractor's cancelled checks for materials and transportation must be furnished to the Department within 60 days of payment of the allowances or the amounts will be reclaimed by the Department."

## **PAYMENTS TO SUBCONTRACTORS (BDE)**

Effective: June 1, 2000

Revised: January 1, 2006

Federal regulations found at 49 CFR §26.29 mandate the Department to establish a contract clause to require Contractors to pay subcontractors for satisfactory performance of their subcontracts and to set the time for such payments.

State law also addresses the timing of payments to be made to subcontractors and material suppliers. Section 7 of the Prompt Payment Act, 30 ILCS 540/7, requires that when a Contractor receives any payment from the Department, the Contractor shall make corresponding, proportional payments to each subcontractor and material supplier performing work or supplying material within 15 calendar days after receipt of the Department payment. Section 7 of the Act further provides that interest in the amount of two percent per month, in addition to the payment due, shall be paid to any subcontractor or material supplier by the Contractor if the payment required by the Act is withheld or delayed without reasonable cause. The Act also provides that the time for payment required and the calculation of any interest due applies to transactions between subcontractors and lower-tier subcontractors and material suppliers throughout the contracting chain.

This Special Provision establishes the required federal contract clause, and adopts the 15 calendar day requirement of the State Prompt Payment Act for purposes of compliance with the federal regulation regarding payments to subcontractors. This contract is subject to the following payment obligations.

When progress payments are made to the Contractor according to Article 109.07 of the Standard Specifications, the Contractor shall make a corresponding payment to each subcontractor and material supplier in proportion to the work satisfactorily completed by each subcontractor and for the material supplied to perform any work of the contract. The proportionate amount of partial payment due to each subcontractor and material supplier throughout the contracting chain shall be determined by the quantities measured or otherwise determined as eligible for payment by the Department and included in the progress payment to the Contractor. Subcontractors and material suppliers shall be paid by the Contractor within 15 calendar days after the receipt of payment from the Department. The Contractor shall not hold retainage from the subcontractors. These obligations shall also apply to any payments made by subcontractors and material suppliers to their subcontractors and material suppliers; and to all payments made to lower tier subcontractors and material suppliers throughout the contracting chain. Any payment or portion of a payment subject to this provision may only be withheld from the subcontractor or material supplier to whom it is due for reasonable cause.

This Special Provision does not create any rights in favor of any subcontractor or material supplier against the State or authorize any cause of action against the State on account of any payment, nonpayment, delayed payment, or interest claimed by application of the State Prompt Payment Act. The Department will not approve any delay or postponement of the 15 day requirement except for reasonable cause shown after notice and hearing pursuant to Section 7(b) of the State Prompt Payment Act. State law creates other and additional remedies available to any subcontractor or material supplier, regardless of tier, who has not been paid for work properly performed or material furnished. These remedies are a lien against public funds set forth in Section 23(c) of the Mechanics Lien Act, 770 ILCS 60/23(c), and a recovery on the Contractor's payment bond according to the Public Construction Bond Act, 30 ILCS 550.

#### **PAYROLLS AND PAYROLL RECORDS (BDE)**

Effective: August 10, 2005

FEDERAL AID CONTRACTS. Add the following State of Illinois requirements to the Federal requirements contained in Section V of Form FHWA-1273:

"The payroll records shall include each worker's name, address, telephone number, social security number, classification, rate of pay, number of hours worked each day, starting and ending times of work each day, total hours worked each week, itemized deductions made, and actual wages paid.

The Contractor and each subcontractor shall submit payroll records to the Engineer each week from the start to the completion of their respective work. The submittals shall be on the Department's form SBE 48, or an approved facsimile. When there has been no activity during a work week, a payroll record shall still be submitted with the appropriate box ("No Work", "Suspended", or "Complete") checked on the form."

STATE CONTRACTS. Revise Section IV of Check Sheet #5 of the Recurring Special Provisions to read:

**“IV.COMPLIANCE WITH THE PREVAILING WAGE ACT**

1. **Prevailing Wages.** All wages paid by the Contractor and each subcontractor shall be in compliance with The Prevailing Wage Act (820 ILCS 130), as amended, except where a prevailing wage violates a federal law, order, or ruling, the rate conforming to the federal law, order, or ruling shall govern. The Contractor shall be responsible to notify each subcontractor of the wage rates set forth in this contract and any revisions thereto. If the Department of Labor revises the wage rates, the Contractor will not be allowed additional compensation on account of said revisions.
2. **Payroll Records.** The Contractor and each subcontractor shall make and keep, for a period of three years from the date of completion of this contract, records of the wages paid to his/her workers. The payroll records shall include each worker’s name, address, telephone number, social security number, classification, rate of pay, number of hours worked each day, starting and ending times of work each day, total hours worked each week, itemized deductions made, and actual wages paid. Upon two business days’ notice, these records shall be available, at all reasonable hours at a location within the State, for inspection by the Department or the Department of Labor.
3. **Submission of Payroll Records.** The Contractor and each subcontractor shall submit payroll records to the Engineer each week from the start to the completion of their respective work. The submittals shall be on the Department’s form SBE 48, or an approved facsimile. When there has been no activity during a work week, a payroll record shall still be submitted with the appropriate box (“No Work”, “Suspended”, or “Complete”) checked on the form.

Each submittal shall be accompanied by a statement signed by the Contractor or subcontractor which avers that: (i) such records are true and accurate; (ii) the hourly rate paid to each worker is not less than the general prevailing rate of hourly wages required by the Act; and (iii) the Contractor or subcontractor is aware that filing a payroll record that he/she knows to be false is a Class B misdemeanor.

4. **Employee Interviews.** The Contractor and each subcontractor shall permit his/her employees to be interviewed on the job, during working hours, by compliance investigators of the Department or the Department of Labor.”

**PERSONAL PROTECTIVE EQUIPMENT (BDE)**

Effective: July 1, 2004

All personnel, excluding flaggers, working outside of a vehicle (car or truck) within 7.6 m (25 ft) of pavement open to traffic shall wear a fluorescent orange, fluorescent yellow/green or a combination of fluorescent orange and fluorescent yellow/.green vest meeting the requirements of the American National Standards Institute specification ANSI/ISEA 107-1999 for Conspicuity Class 2 garments. Other types of garments may be substituted for the vest as long as the garments have manufacturers tags identifying them as meeting the ANSI Class 2 requirement.

**PORTLAND CEMENT (BDE)**

Effective: January 1, 2005

Revised: November 1, 2005

Add the following paragraph after the last paragraph of Article 1001.01 of the Standard Specifications.

“For portland cement according to ASTM C 150, the bill of lading shall state if limestone has been added. The bill of lading shall also state that the limestone addition is not in excess of five percent by mass (weight) of the cement.”

**PORTLAND CEMENT CONCRETE (BDE)**

Effective: November 1, 2002

Add the following paragraph after the fourth paragraph of Article 1103.01(b) of the Standard Specifications:

“The truck mixer shall be approved before use according to the Bureau of Materials and Physical Research’s Policy Memorandum, “Approval of Concrete Plants and Delivery Trucks”.”

Add the following paragraph after the first paragraph of Article 1103.01(c) of the Standard Specifications:

“The truck agitator shall be approved before use according to the Bureau of Materials and Physical Research’s Policy Memorandum, “Approval of Concrete Plants and Delivery Trucks”.”

Add the following paragraph after the first paragraph of Article 1103.01(d) of the Standard Specifications:

“The nonagitator truck shall be approved before use according to the Bureau of Materials and Physical Research’s Policy Memorandum, “Approval of Concrete Plants and Delivery Trucks”.”

Revise the first sentence of the first paragraph of Article 1103.02 of the Standard Specifications to read:

“The plant shall be approved before production begins according to the Bureau of Materials and Physical Research’s Policy Memorandum, “Approval of Concrete Plants and Delivery Trucks”.”

**RAP FOR USE IN BITUMINOUS CONCRETE MIXTURES (BDE)**

Effective: January 1, 2000

Revised: April 1, 2002

Revise Article 1004.07 to read:



**“1004.07 RAP Materials.** RAP is reclaimed asphalt pavement resulting from cold milling or crushing of an existing dense graded hot-mix asphalt pavement. RAP must originate from routes or airfields under federal, state or local agency jurisdiction. The Contractor shall supply documentation that the RAP meets these requirements.

(a) Stockpiles. The Contractor shall construct individual, sealed RAP stockpiles meeting one of the following definitions. No additional RAP will be allowed on top of the pile after the pile has been sealed.

(1) Homogeneous. Homogeneous RAP stockpiles shall consist of RAP from Class I/ Superpave, or equivalent mixtures only and represent the same aggregate quality, but shall be at least C quality or better, the same type of crushed aggregate (either crushed natural aggregate, ACBF slag, or steel slag), similar gradation and similar AC content. If approved by the Engineer, combined single pass surface/binder millings may be considered “homogenous”, with a quality rating dictated by the lowest coarse aggregate quality present in the mixture. Homogenous stockpiles shall meet the requirements of Article 1004.07(d). Homogeneous RAP stockpiles not meeting these requirements may be processed (crushing and screening) and retested.

(2) Conglomerate. Conglomerate RAP stockpiles shall consist of RAP from Class I/ Superpave, or equivalent mixtures only. The coarse aggregate in this RAP shall be crushed aggregate only and may represent more than one aggregate type and/or quality but shall be at least C quality or better. This RAP may have an inconsistent gradation and/or asphalt cement content prior to processing. All conglomerate RAP shall be processed prior to testing by crushing to where all RAP shall pass the 16 mm (5/8 in.) or smaller screen. Conglomerate RAP stockpiles shall not contain steel slag or other expansive material as determined by the Department. Conglomerate RAP stockpiles shall meet the requirements of Article 1004.07(d).

(3) Conglomerate “D” Quality (DQ). Conglomerate DQ RAP stockpiles shall consist of RAP containing coarse aggregate (crushed or round) that is at least D quality or better. This RAP may have an inconsistent gradation and/or asphalt content. Conglomerate DQ RAP stockpiles shall not contain steel slag or other expansive material as determined by the Department. Conglomerate DQ RAP shall meet the requirements of Article 1004.07(d).

Reclaimed Superpave Low ESAL IL-9.5L surface mixtures shall only be placed in conglomerate DQ RAP stockpiles due to the potential for rounded aggregate.

(4) Other. RAP stockpiles that do not meet the requirements of the stockpile categories listed above shall be classified as “Other”. “Other” RAP stockpiles shall not be used in any of the Department’s bituminous mixtures.

(b) Use. The allowable use of a RAP stockpile shall be set by the lowest quality of coarse aggregate in the RAP stockpile. Class I/Superpave surface mixtures are designated as containing Class B quality coarse aggregate only. Superpave Low ESAL IL-19.0L binder and IL-9.5L surface mixtures are designated as Class C quality coarse aggregate only.

Class I/Superpave binder mixtures, bituminous base course mixtures, and bituminous base course widening mixtures are designated as containing Class C quality coarse aggregate only. Bituminous stabilized subbase and BAM shoulders are designated as containing Class D quality coarse aggregate only. Any mixture not listed above shall have the designated quality determined by the Department.

RAP containing steel slag or other expansive material, as determined by the Department, shall be homogeneous and will be approved for use in Class I/Superpave (including Low ESAL) surface mixtures only. RAP stockpiles for use in Class I/Superpave mixtures (including Low ESAL), base course, base course widening and Class B mixtures shall be either homogeneous or conglomerate RAP stockpiles except conglomerate RAP stockpiles shall not be used in Superpave surface mixture Ndesign 50 or greater. RAP for use in bituminous aggregate mixtures (BAM) shoulders and BAM stabilized subbase shall be from homogeneous, conglomerate, or conglomerate DQ stockpiles.

Additionally, RAP used in Class I/Superpave surface mixtures shall originate from milled or crushed mixtures only, in which the coarse aggregate is of Class B quality or better. RAP stockpiles for use in Class I/Superpave (including Low ESAL) binder mixes as well as base course, base course widening and Class B mixtures shall originate from milled or processed surface mixture, binder mixture, or a combination of both mixtures uniformly blended to the satisfaction of the Engineer, in which the coarse aggregate is of Class C quality or better.

(c) Contaminants. RAP containing contaminants, such as earth, brick, sand, concrete, sheet asphalt, bituminous surface treatment (i.e. chip seal), pavement fabric, etc., will be unacceptable unless the contaminants are removed to the satisfaction of the Engineer. Sheet asphalt shall be stockpiled separately.

(d) Testing. All RAP shall be sampled and tested either during or after stockpiling.

For testing during stockpiling, washed extraction samples shall be run at the minimum frequency of one sample per 450 metric tons (500 tons) for the first 1800 metric tons (2,000 tons) and one sample per 1800 metric tons (2,000 tons) thereafter. A minimum of five tests shall be required for stockpiles less than 3600 metric tons (4,000 tons).

For testing existing stockpiles, the Contractor shall submit a plan for approval to the District proposing a satisfactory method of sampling and testing the RAP pile either in-situ or by restockpiling. The sampling plan shall meet the minimum frequency required above and detail the procedure used to extract representative samples throughout the pile for testing.

Before extraction, each field sample shall be split to test sample size. One of the two test samples from the final split shall be labeled and stored for Department use. The Contractor shall extract the other test sample according to Department procedure. The Engineer reserves the right to test any sample (split or Department-taken) to verify Contractor test results.

All of the extraction results shall be compiled and averaged for asphalt content and gradation. Individual extraction test results, when compared to the averages, will be accepted if within the tolerances listed below.

Parameter	Homogeneous / Conglomerate	Conglomerate "D" Quality
25 mm (1 in.)		± 5%
12.5 mm (1/2 in.)	± 8%	± 15%
4.75 mm (No. 4)	± 6%	± 13%
2.36 mm (No. 8)	± 5%	
1.18 mm (No. 16)		± 15%
600 μm (No. 30)	± 5%	
75 μm (No. 200)	± 2.0%	± 4.0%
AC	± 0.4%	± 0.5%

If more than 20 percent of the individual sieves are out of the gradation tolerances, or if more than 20 percent of the asphalt content test results fall outside the appropriate tolerances, the RAP will not be allowed to be used in the Department's bituminous concrete mixtures unless the RAP representing the failing tests is removed from the stockpile to the satisfaction of the Engineer. All test data and acceptance ranges shall be sent to the District for evaluation.

With the approval of the Engineer, the ignition oven may be substituted for extractions according to the Illinois Test Procedure, "Calibration of the Ignition Oven for the Purpose of Characterizing Reclaimed Asphalt Pavement (RAP)".

- (e) Designs. At the Contractor's option, bituminous concrete mixtures may be constructed utilizing RAP material meeting the above detailed requirements. The amount of RAP included in the mixture shall not exceed the percentages specified in the plans.

RAP designs shall be submitted for volumetric verification. If additional RAP stockpiles are tested and found that no more than 20 percent of the results, as defined under "Testing" herein, are outside of the control tolerances set for the original RAP stockpile and design, and meets all of the requirements herein, the additional RAP stockpiles may be used in the original mix design at the percent previously verified.

- (f) Production. The coarse aggregate in all RAP used shall be equal to or less than the nominal maximum size requirement for the bituminous mixture being produced.

To remove or reduce agglomerated material, a scalping screen, crushing unit or comparable sizing device approved by the Engineer shall be used in the RAP feed system to remove or reduce oversized material. If material passing the sizing device adversely affects the mix production or quality of the mix, the sizing device shall be set at a size specified by the Engineer.

If the RAP control tolerances or QC/QA test results require corrective action, the Contractor shall cease production of the mixture containing RAP and either switch to the virgin aggregate design or submit a new RAP design.

### **SUBCONTRACTOR MOBILIZATION PAYMENTS (BDE)**

Effective: April 2, 2005

To account for the preparatory work and operations necessary for the movement of subcontractor personnel, equipment, supplies, and incidentals to the project site and for all other work or operations that must be performed or costs incurred when beginning work approved for subcontracting in accordance with Article 108.01 of the Standard Specifications, the Contractor shall make a mobilization payment to each subcontractor.

This mobilization payment shall be made at least 14 days prior to the subcontractor starting work. The amount paid shall be equal to 3 percent of the amount of the subcontract reported on form BC 260A submitted for the approval of the subcontractor's work.

This provision shall be incorporated directly or by reference into each subcontract approved by the Department.

### **SUPERPAVE BITUMINOUS CONCRETE MIXTURES (BDE)**

Effective: January 1, 2000

Revised: April 1, 2004

Description. This work shall consist of designing, producing and constructing Superpave bituminous concrete mixtures using Illinois Modified Strategic Highway Research Program (SHRP) Superpave criteria. This work shall be according to Sections 406 and 407 of the Standard Specifications and the special provision, "Quality Control/Quality Assurance of Bituminous Concrete Mixtures", except as follows.

#### Materials.

- (a) Fine Aggregate Blend Requirement. The Contractor may be required to provide FA 20 manufactured sand to meet the design requirements. For mixtures with  $N_{design} \geq 90$ , at least 50 percent of the required fine aggregate fraction shall consist of either stone sand, slag sand, or steel slag sand meeting the FA/FM 20 gradation.
- (b) Reclaimed Asphalt Pavement (RAP). If the Contractor is allowed to use more than 15 percent RAP, as specified in the plans, a softer performance-graded binder may be required as determined by the Engineer.

RAP shall meet the requirements of the special provision, "RAP for Use in Bituminous Concrete Mixtures".

RAP will not be permitted in mixtures containing polymer modifiers.

RAP containing steel slag will be permitted for use in top-lift surface mixtures only.

- (c) Bituminous Material. The asphalt cement (AC) shall be performance-graded (PG) or polymer modified performance-graded (SBS-PG or SBR-PG) meeting the requirements of Article 1009.05 of the Standard Specifications for the grade specified on the plans.

The following additional guidelines shall be used if a polymer modified asphalt is specified:

- (1) The polymer modified asphalt cement shall be shipped, maintained, and stored at the mix plant according to the manufacturer's requirements. Polymer modified asphalt cement shall be placed in an empty tank and shall not be blended with other asphalt cements.
- (2) The mixture shall be designed using a mixing temperature of  $163 \pm 3$  °C ( $325 \pm 5$  °F) and a gyratory compaction temperature of  $152 \pm 3$  °C ( $305 \pm 5$  °F).
- (3) Pneumatic-tired rollers will not be allowed unless otherwise specified by the Engineer. A vibratory roller meeting the requirements of Article 406.16 of the Standard Specifications shall be required in the absence of the pneumatic-tired roller.

Laboratory Equipment.

- (a) Superpave Gyratory Compactor. The superpave gyratory compactor (SGC) shall be used for all QC/QA testing.
- (b) Ignition Oven. The ignition oven shall be used to determine the AC content. The ignition oven shall also be used to recover aggregates for all required washed gradations.

The Engineer may waive the ignition oven requirement for AC content if the aggregates to be used are known to have ignition AC content calibration factors which exceed 1.5 percent. If the ignition oven requirement is waived, other Department approved methods shall be used to determine the AC content.

Mixture Design. The Contractor shall submit mix designs, for approval, for each required mixture. Mix designs shall be developed by Level III personnel who have successfully completed the course, "Superpave Mix Design Upgrade". Articles 406.10 and 406.13 of the Standard Specifications shall not apply. The mixtures shall be designed according to the respective Illinois Modified AASHTO references listed below.

AASHTO MP 2	Standard Specification for Superpave Volumetric Mix Design
AASHTO R 30	Standard Practice for Mixture Conditioning of Hot-Mix Asphalt (HMA)
AASHTO PP 28	Standard Practice for Designing Superpave HMA

- AASHTO T 209 Theoretical Maximum Specific Gravity and Density of Bituminous Paving Mixtures
- AASHTO T 312 Preparing and Determining the Density of Hot Mix Asphalt (HMA) Specimens by Means of the Superpave Gyrotory Compactor
- AASHTO T 308 Determining the Asphalt Content of Hot Mix Asphalt (HMA) by the Ignition Method

(a) Mixture Composition. The ingredients of the bituminous mixture shall be combined in such proportions as to produce a mixture conforming to the composition limits by weight. The gradation mixture specified on the plans shall produce a mixture falling within the limits specified in Table 1.

TABLE 1. MIXTURE COMPOSITION (% PASSING) <sup>1/</sup>								
Sieve Size	IL-25.0 mm		IL-19.0 mm		IL-12.5 mm <sup>4/</sup>		IL-9.5 mm <sup>4/</sup>	
	min	max	min	max	Min	max	min	max
37.5 mm (1 1/2 in.)		100						
25 mm (1 in.)	90	100		100				
19 mm (3/4 in.)		90	82	100		100		
12.5 mm (1/2 in.)	45	75	50	85	90	100		100
9.5 mm (3/8 in.)						89	90	100
4.75 mm (#4)	24	42 <sup>2/</sup>	24	50 <sup>2/</sup>	28	65	28	65
2.36 mm (#8)	16	31	20	36	28	48 <sup>3/</sup>	28	48 <sup>3/</sup>
1.18 mm (#16)	10	22	10	25	10	32	10	32
600 μm (#30)								
300 μm (#50)	4	12	4	12	4	15	4	15
150 μm (#100)	3	9	3	9	3	10	3	10
75 μm (#200)	3	6	3	6	4	6	4	6

1/ Based on percent of total aggregate weight.

2/ The mixture composition shall not exceed 40 percent passing the 4.75 mm (#4) sieve for binder courses with Ndesign ≥ 90.

- 3/ The mixture composition shall not exceed 40 percent passing the 2.36 mm (#8) sieve for surface courses with Ndesign  $\geq$  90.
- 4/ The mixture composition for surface courses shall be according to IL-12.5 mm or IL-9.5 mm, unless otherwise specified by the Engineer.

One of the above gradations shall be used for leveling binder as specified in the plans and according to Article 406.04 of the Standard Specifications.

It is recommended that the selected combined aggregate gradation not pass through the restricted zones specified in Illinois Modified AASHTO MP 2.

- (b) Dust/AC Ratio for Superpave. The ratio of material passing the 75  $\mu$ m (#200) sieve to total asphalt cement shall not exceed 1.0 for mixture design (based on total weight of mixture).
- (c) Volumetric Requirements. The target value for the air voids of the hot mix asphalt (HMA) shall be 4.0 percent at the design number of gyrations. The VMA and VFA of the HMA design shall be based on the nominal maximum size of the aggregate in the mix and shall conform to the requirements listed in Table 2.

<b>TABLE 2. VOLUMETRIC REQUIREMENTS</b>					
<b>Ndesign</b>	<b>Voids in the Mineral Aggregate (VMA), % minimum</b>				<b>Voids Filled with Asphalt (VFA), %</b>
	<b>IL-25.0</b>	<b>IL-19.0</b>	<b>IL-12.5</b>	<b>IL-9.5</b>	
<b>50</b>	12.0	13.0	14.0	15	65 - 78
<b>70</b>					65 - 75
<b>90</b>					
<b>105</b>					

- (d) Determination of Need for Anti-Stripping Additive. The mixture designer shall determine if an additive is needed in the mix to prevent stripping. The determination will be made on the basis of tests performed according to Illinois Modified T 283 using 4 in. Marshall bricks. To be considered acceptable by the Department as a mixture not susceptible to stripping, the ratio of conditioned to unconditioned split tensile strengths (TSRs) shall be equal to or greater than 0.75. Mixtures, either with or without an additive, with TSRs less than 0.75 will be considered unacceptable.

If it is determined that an additive is required, the additive may be hydrated lime, slaked quicklime, or a liquid additive, at the Contractor's option. The liquid additive shall be selected from the Department's list of approved additives and may be limited to those which have exhibited satisfactory performance in similar mixes.

Dry hydrated lime shall be added at a rate of 1.0 to 1.5 percent by weight of total dry aggregate. Slurry shall be added in such quantity as to provide the required amount of hydrated lime solids by weight of total dry aggregate. The exact rate of application for all

anti-stripping additives will be determined by the Department. The method of application shall be according to Article 406.12 of the Standard Specifications.

Personnel. The QC Manager and Level I Technician shall have successfully completed the Department's "Superpave Field Control Course".

Required Plant Tests. Testing shall be conducted to control the production of the bituminous mixture. The Contractor shall use the test methods identified to perform the following mixture tests at a frequency not less than that indicated in Table 3.

<b>TABLE 3. REQUIRED PLANT TESTS for SUPERPAVE</b>		
<b>Parameter</b>	<b>Frequency of Tests</b>	<b>Test Method</b>
Aggregate Gradation  Hot bins for batch and continuous plants  Individual cold-feeds or combined belt-feed for drier drum plants.  (% passing sieves: 12.5 mm (1/2 in.), 4.75 mm (No. 4), 2.36 mm (No. 8), 600 µm (No. 30), 75 µm (No. 200))	1 dry gradation per day of production (either morning or afternoon sample).  And  1 washed ignition oven test on the mix per day of production (conduct in afternoon if dry gradation is conducted in the morning or vice versa).  NOTE. The order in which the above tests are conducted shall alternate from the previous production day (example: a dry gradation conducted in the morning will be conducted in the afternoon on the next production day and so forth).  The dry gradation and washed ignition oven test results shall be plotted on the same control chart.	Illinois Procedure (See Manual of Test Procedures for Materials).
Asphalt Content by Ignition Oven (Note 1.)	1 per half day of production	Illinois Modified AASHTO T 308
Air Voids	Bulk Specific Gravity of Gyratory Sample	Illinois Modified AASHTO T 312
	Maximum Specific Gravity of Mixture	Illinois Modified AASHTO T 209

Note 1. The Engineer may waive the ignition oven requirement for AC content if the aggregates to be used are known to have ignition AC content calibration factors which exceed 1.5 percent. If the ignition oven requirement is waived, other Department approved methods shall be used to determine the AC content.

During production, the ratio of minus 75 µm (#200) sieve material to total asphalt cement shall be not less than 0.6 nor more than 1.2 and the moisture content of the mixture at discharge from the mixer shall not exceed 0.5 percent. If at any time the ratio of minus 75 µm (#200) material



to asphalt or moisture content of the mixture falls outside the stated limits, production of the mix shall cease. The cause shall be determined and corrective action satisfactory to the Engineer shall be initiated prior to resuming production.

During production, mixtures containing an anti-stripping additive will be tested by the Department for stripping according to Illinois Modified T 283. If the mixture fails to meet the TSR criteria for acceptance, no further mixture will be accepted until the Contractor takes such action as is necessary to furnish a mixture meeting the criteria.

Construction Requirements

Lift Thickness.

- (a) Binder and Surface Courses. The minimum compacted lift thickness for constructing bituminous concrete binder and surface courses shall be according to Table 4:

<b>TABLE 4 – MINIMUM COMPACTED LIFT THICKNESS</b>	
Mixture	Thickness, mm (in.)
IL-9.5	32 (1 1/4)
IL-12.5	38 (1 1/2)
IL-19.0	57 (2 1/4)
IL-25.0	76 (3)

- (b) Leveling Binder. Mixtures used for leveling binder shall be as follows:

<b>TABLE 5 – LEVELING BINDER</b>	
Nominal, Compacted, Leveling Binder Thickness, mm (in.)	Mixture
≤ 32 (1 1/4)	IL-9.5
32 (1 1/4) to 50 (2)	IL 9.5 or IL-12.5

Density requirements shall apply for leveling binder when the nominal, compacted thickness is 32 mm (1 1/4 in.) or greater for IL-9.5 mixtures and 38 mm (1 1/2 in.) or greater for IL-12.5 mixtures.

- (c) Full-Depth Pavement. The compacted thickness of the initial lift of binder course shall be 100 mm (4 in.). The compacted thickness of succeeding lifts shall meet the minimums specified in Table 4 but not exceed 100 mm (4 in.).

If a vibratory roller is used for breakdown, the compacted thickness of the binder lifts, excluding the top lift, may be increased to 150 mm (6 in.) provided the required density is obtained.

- (d) Bituminous Patching. The minimum compacted lift thickness for constructing bituminous patches shall be according to Table 4.

Control Charts/Limits. Control charts/limits shall be according to QC/QA Class I requirements, except density shall be plotted on the control charts within the following control limits:

<b>TABLE 6. DENSITY CONTROL LIMITS</b>		
Mixture	Parameter	Individual Test
12.5 mm / 9.5 mm	Ndesign ≥ 90	92.0 – 96.0%
12.5 mm / 9.5 mm	Ndesign < 90	92.5 – 97.4%
19.0 mm / 25.0 mm	Ndesign ≥ 90	93.0 – 96.0%
19.0 mm / 25.0 mm	Ndesign < 90	93.0 – 97.4%

Basis of Payment. On resurfacing projects, this work will be paid for at the contract unit price per metric ton (ton) for BITUMINOUS CONCRETE SURFACE COURSE, SUPERPAVE, of the friction aggregate mixture and Ndesign specified, LEVELING BINDER (HAND METHOD), SUPERPAVE, of the Ndesign specified, LEVELING BINDER (MACHINE METHOD), SUPERPAVE, of the Ndesign specified, and BITUMINOUS CONCRETE BINDER COURSE, SUPERPAVE, of the mixture composition and Ndesign specified.

On resurfacing projects in which polymer modifiers are required, this work will be paid for at the contract unit price per metric ton (ton) for POLYMERIZED BITUMINOUS CONCRETE SURFACE COURSE, SUPERPAVE, of the friction aggregate mixture and Ndesign specified, POLYMERIZED LEVELING BINDER (HAND METHOD), SUPERPAVE, of the Ndesign specified, POLYMERIZED LEVELING BINDER (MACHINE METHOD), SUPERPAVE, of the Ndesign specified, and POLYMERIZED BITUMINOUS CONCRETE BINDER COURSE, SUPERPAVE, of the mixture composition and Ndesign specified.

On full-depth pavement projects, this work will be paid for at the contract unit price per square meter (square yard) for BITUMINOUS CONCRETE PAVEMENT, (FULL-DEPTH), SUPERPAVE, of the thickness specified.

On projects where widening is constructed and the entire pavement is then resurfaced, the binder for the widening will be paid for at the contract unit price per square meter (square yard) for BITUMINOUS CONCRETE BINDER COURSE, SUPERPAVE, of the mixture composition, Ndesign, and thickness specified. The surface and binder used to resurface the entire pavement will be paid for according to the paragraphs above for resurfacing projects.

**TRAFFIC CONTROL DEFICIENCY DEDUCTION (BDE)**

Effective: April 1, 1992

Revised: January 1, 2005

To ensure a prompt response to incidents involving the integrity of work zone traffic control, the Contractor shall provide a telephone number where a responsible individual can be contacted 24 hours-a-day.

When the Engineer is notified, or determines a traffic control deficiency exists, he/she will notify and direct the Contractor to correct the deficiency within a specified time. The specified time, which begins upon notification to the Contractor, will be from 1/2 hour to 12 hours based upon the urgency of the situation and the nature of the deficiency. The Engineer shall be the sole judge.

A deficiency may be any lack of repair, maintenance, or non-compliance with the traffic control plan. A deficiency may also be applied to situations where corrective action is not an option such as the use of non-certified flaggers for short term operations; working with lane closures beyond the time allowed in the contract; or failure to perform required contract obligations such as traffic control surveillance.

If the Contractor fails to correct a deficiency within the specified time, a daily monetary deduction will be imposed for each calendar day or fraction thereof the deficiency exists. The calendar day(s) will begin with notification to the Contractor and end with the Engineer's acceptance of the correction. The daily monetary deduction will be either \$1,000 or 0.05 percent of the awarded contract value, whichever is greater. For those deficiencies where corrective action was not an option this monetary deduction will be immediate.

In addition, if the Contractor fails to respond, the Engineer may correct the deficiency and the cost thereof will be deducted from monies due or which may become due the Contractor. This corrective action will in no way relieve the Contractor of his/her contractual requirements or responsibilities.

**TRUCK BED RELEASE AGENT (BDE)**

Effective: April 1, 2004

Add the following sentence after the third sentence of the first paragraph of Article 406.14 of the Standard Specifications.

“In addition to the release agent, the Contractor may use a light scatter of manufactured sand (FA 20 or FA 21) evenly distributed over the bed of the vehicle.”

**WATER BLASTER WITH VACUUM RECOVERY (BDE)**

Effective: April 1, 2006

Add the following to Article 783.02 of the Standard Specifications.

“(c) Water Blaster with Vacuum Recovery ..... 1101.17”

Add the following to Section 1101 of the Standard Specifications.

**“1101.17 Water Blaster with Vacuum Recovery.** The water blaster shall remove the stripe from the pavement using a high pressurized water spray with a vacuum recovery system to provide a clean, almost dry surface, without the use of a secondary cleanup process. The removal shall be to the satisfaction of the Engineer. The equipment shall contain a storage system that allows for the storage of the wastewater while retaining the debris. The operator shall be in immediate control of the blast head.”

## **WEIGHT CONTROL DEFICIENCY DEDUCTION**

Effective: April 1, 2001

Revised: August 1, 2002

The Contractor shall provide accurate weights of materials delivered to the contract for incorporation into the work (whether temporary or permanent) and for which the basis of payment is by weight. These weights shall be documented on delivery tickets which shall identify the source of the material, type of material, the date and time the material was loaded, the contract number, the net weight, the tare weight when applicable and the identification of the transporting vehicle. For aggregates, the Contractor shall have the driver of the vehicle furnish or establish an acceptable alternative to provide the contract number and a copy of the material order to the source for each load. The source is defined as that facility that produces the final material product that is to be incorporated into the contract pay items.

The Department will conduct random, independent vehicle weight checks for material sources according to the procedures outlined in the Documentation Section Policy Statement of the Department's Construction Manual and hereby incorporated by reference. The results of the independent weight checks shall be applicable to all contracts containing this Special Provision. Should the vehicle weight check for a source result in the net weight of material on the vehicle exceeding the net weight of material shown on the delivery ticket by 0.50% (0.70% for aggregates) or more, the Engineer will document the independent vehicle weight check and immediately furnish a copy of the results to the Contractor. No adjustment in pay quantity will be made. Should the vehicle weight check for a source result in the net weight of material shown on the delivery ticket exceeding the net weight of material on the vehicle by 0.50% (0.70% for aggregates) or more, the Engineer will document the independent vehicle weight check and immediately furnish a copy of the results to the Contractor. The Engineer will adjust the net weight shown on the delivery ticket to the checked delivered net weight as determined by the independent vehicle weight check.

The Engineer will also adjust the method of measurement for all contracts for subsequent deliveries of all materials from the source based on the independent weight check. The net weight of all materials delivered to all contracts containing this Special Provision from this source, for which the basis of payment is by weight, will be adjusted by applying a correction factor "A" as determined by the following formula:

$$A = 1.0 - \left( \frac{B - C}{B} \right); \text{ Where } A \leq 1.0; \left( \frac{B - C}{C} \right) > 0.50\% \text{ (0.70\% for aggregates)}$$

Where A = Adjustment factor  
B = Net weight shown on delivery ticket  
C = Net weight determined from independent weight check

The adjustment factor will be applied as follows:

$$\text{Adjusted Net Weight} = A \times \text{Delivery Ticket Net Weight}$$

The adjustment factor will be imposed until the cause of the deficient weight is identified and corrected by the Contractor to the satisfaction of the Engineer. If the cause of the deficient weight is not identified and corrected within seven (7) calendar days, the source shall cease delivery of all materials to all contracts containing this Special Provision for which the basis of payment is by weight.

Should the Contractor elect to challenge the results of the independent weight check, the Engineer will continue to document the weight of material for which the adjustment factor would be applied. However, provided the Contractor furnishes the Engineer with written documentation that the source scale has been calibrated within seven (7) calendar days after the date of the independent weight check, adjustments in the weight of material paid for will not be applied unless the scale calibration demonstrates that the source scale was not within the specified Department of Agriculture tolerance.

At the Contractor's option, the vehicle may be weighed on a second independent Department of Agriculture certified scale to verify the accuracy of the scale used for the independent weight check.

#### **WORK ZONE TRAFFIC CONTROL DEVICES (BDE)**

Effective: January 1, 2003

Revised: November 1, 2004

Add the following to Article 702.01 of the Standard Specifications:

"All devices and combinations of devices shall meet the requirements of the National Cooperative Highway Research Program (NCHRP) Report 350 for their respective categories. The categories are as follows:

Category 1 includes small, lightweight, channelizing and delineating devices that have been in common use for many years and are known to be crashworthy by crash testing of similar devices or years of demonstrable safe performance. These include cones, tubular markers, flexible delineators and plastic drums with no attachments. Category 1 devices shall be crash tested and accepted or may be self-certified by the manufacturer.

Category 2 includes devices that are not expected to produce significant vehicular velocity change but may otherwise be hazardous. These include drums and vertical panels with lights, barricades and portable sign supports. Category 2 devices shall be crash tested and accepted for Test Level 3.

Category 3 includes devices that are expected to cause significant velocity changes or other potentially harmful reactions to impacting vehicles. These include crash cushions, truck mounted attenuators and other devices not meeting the definitions of Category 1 or 2. Category 3 devices shall be crash tested and accepted for either Test Level 3 or the test level specified.

Category 4 includes portable or trailer-mounted devices such as arrow boards, changeable message signs, temporary traffic signals and area lighting supports. Currently, there is no implementation date set for this category and it is exempt from the NCHRP 350 compliance requirement.

The Contractor shall provide a manufacturer's self-certification letter for each Category 1 device and an FHWA acceptance letter for each Category 2 and Category 3 device used on the contract. The letters shall state the device meets the NCHRP 350 requirements for its respective category and test level, and shall include a detail drawing of the device."

Delete the third, fourth and fifth paragraphs of Article 702.03(b) of the Standard Specifications.

Delete the third sentence of the first paragraph of Article 702.03(c) of the Standard Specifications.

Revise the first sentence of the first paragraph of Article 702.03(e) of the Standard Specifications to read:

"Drums shall be nonmetallic and have alternating reflectorized Type AA or Type AP fluorescent orange and reflectorized white horizontal, circumferential stripes."

Add the following to Article 702.03 of the Standard Specifications:

"(h) Vertical Barricades. Vertical barricades may be used in lieu of cones, drums or Type II barricades to channelize traffic."

Delete the fourth paragraph of Article 702.05(a) of the Standard Specifications.

Revise the sixth paragraph of Article 702.05(a) of the Standard Specifications to read:

"When the work operations exceed four days, all signs shall be post mounted unless the signs are located on the pavement or define a moving or intermittent operation. When approved by the Engineer, a temporary sign stand may be used to support a sign at 1.2 m (5 ft) minimum where posts are impractical. Longitudinal dimensions shown on the plans for the placement of signs may be increased up to 30 m (100 ft) to avoid obstacles, hazards or to improve sight distance, when approved by the Engineer. "ROAD CONSTRUCTION AHEAD" signs will also be required on side roads located within the limits of the mainline "ROAD CONSTRUCTION AHEAD" signs."

Delete all references to "Type 1A barricades" and "wing barricades" throughout Section 702 of the Standard Specifications.

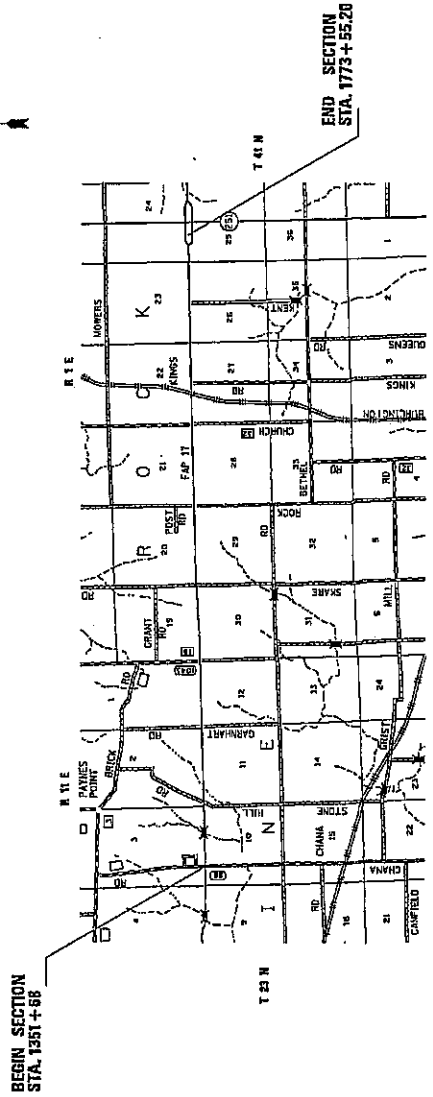
### **WORKING DAYS (BDE)**

Effective: January 1, 2002

The Contractor shall complete the work within 45 working days.

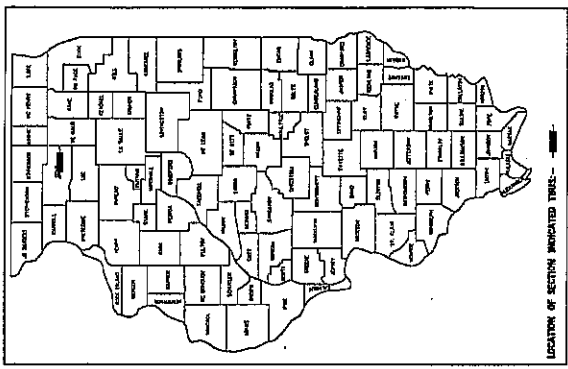
**STATE OF ILLINOIS**  
**DEPARTMENT OF TRANSPORTATION**  
**DIVISION OF HIGHWAYS**  
**PROPOSED**  
**HIGHWAY PLANS**

FAP ROUTE 17 (IL 64)  
 SECTION (110,111) RS-4  
 OGLE COUNTY  
 C-92-094-06



CONTRACT NO. 64866	SECTION	COUNTY	ROUTE	NO.
	110,111 RS	OGLE	17	4

**D-92-006-06**



LOCATION OF SECTION INDICATED THEREIN.

STATE OF ILLINOIS  
 DEPARTMENT OF TRANSPORTATION  
 DIVISION OF HIGHWAYS

PREPARED BY: *[Signature]*  
 SUBMITTED: 3/15/06  
 PERSONAL ENGINEER

**DISTRICT 2**  
 DIXON

**DESIGN DESIGNATION**  
**MINOR ARTERIAL**

**JULIE**  
 JUNIOR ENGINEER LOCATION INFORMATION FOR EXCAVATION  
 1-800-882-2122

**POPE ROCK TOWNSHIP**  
 SECTIONS 1, 2, 3, 10, 11, AND 12

**WHITE ROCK TOWNSHIP**  
 SECTIONS 18, 19, 20, 21, 22, 23, 24, 25, 26, 27, 28, 29, 30, AND 31

**CONTRACT NO. 64866**

**NET LENGTH OF SECTION = 42187 FT = 7.99 MILES**  
**GROSS LENGTH OF SECTION = 42187 FT = 7.99 MILES**

FAP 17 (IL 64) SEC. (110,111)RS-4 OGLE COUNTY

## **INDEX OF SHEETS**

1	COVER SHEET
2	INDEX AND STANDARDS
3 - 4	SUMMARY OF QUANTITIES
5 - 6	GENERAL NOTES
7 - 10	TYPICAL SECTIONS
11 - 12	SCHEDULE OF QUANTITIES
13 - 16	ENTRANCE SCHEDULE
17 - 19	BITUMINOUS SCHEDULE
20 - 27	PAVEMENT PATCHING SCHEDULE
28 - 29	PROJECT STATIONING
30 - 34	PROJECT STRIPING DETAILS
35 -	PAVEMENT PATCHING FOR BITUMINOUS SURFACE PAVEMENT (32.4)
36 -	SUBGRADE REPLACEMENT(97.4)
37	BITUMINOUS APPROACHES AND MAIL BOX RETURNS FOR SINGLE LIFT(SMART) RESURFACING PROJECTS ( DIST STD 46.2)
38	ROUGH GROOVED SURFACE SIGN (91.2)
39 40	TYPICAL PAVEMENT MARKINGS (41.1)

## **STANDARDS**

442201-01	CLASS C AND D PATCHES
701201-02	LANE CLOSURE 2L, 2W , DAY ONLY, ON-ROAD TO 600MM(24) OFF-ROAD, FOR SPEEDS>45MPH
701301-02	LANE CLOSURE 2L, 2W , SHORT TIME OPERATONS
701306-01	LANE CLOSURE 2L, 2W , SLOW MOVING DAY OPERATONS FOR SPEEDS>45MPH
701311-02	LANE CLOSURE 2L, 2W MOVING OPERATIONS - DAY ONLY
702001-06	TRAFFIC CONTROL DEVICES
780001-01	TYPICAL PAVEMENT MARKINGS
781001-02	TYPICAL APPLICATIONS RAISED REFLECTIVE PAVEMENT MARKERS
001006	DECIMAL OF AN INCH AND OF A FOOT



SUMMARY OF QUANTITIES

100% STATE

CODE NO.	PAY ITEM	UNIT	QUANTITY
40600200	BITUMINOUS MATERIALS (PRIME COAT)	TON	35
40600300	AGGREGATE (PRIME COAT)	TON	184
40600980	BITUMINOUS SURFACE REMOVAL - BUTT JOINT	SQ YD	1289
40600895	CONSTRUCTING TEST STRIP	EACH	1
40600990	TEMPORARY RAMP	SQ YD	290
40602000	BITUMINOUS REPLACEMENT OVER PATCHES, SUPERPAVE	TON	2303
44000006	BITUMINOUS SURFACE REMOVAL 1 1/2"	SQ YD	8392
44000132	BITUMINOUS REMOVAL OVER PATCHES, 8"	SQ YD	5055
44200108	PAVEMENT PATCHING TYPE II 9"	SQ YD	424
44200 112	PAVEMENT PATCHING TYPE III 9"	SQ YD	26
44200 114	PAVEMENT PATCHING TYPE IV 9"	SQ YD	56
48101200	AGGREGATE SHOULDERS, TYPE B	TON	1819
67000400	ENGINEERS FIELD OFFICE TYPE A	CAL MO	5
67100100	MOBILIZATION	L SUM	1
70100450	TRAFFIC CONTROL AND PROTECTION, STANDARD 701201	L SUM	1
70100460	TRAFFIC CONTROL AND PROTECTION, STANDARD 701306	L SUM	1
70300100	SHORT-TERM PAVEMENT MARKING	FOOT	8437
70301000	WORK ZONE PAVEMENT MARKING REMOVAL	SQ FT	1392

SUMMARY OF QUANTITIES

100% STATE

CODE NO.	PAY ITEM	UNIT	QUANTITY
* 78001110	PAINT PAVEMENT MARKING - LINE 4"	FOOT	228939
* 78000100	THERMOPLASTIC PAVEMENT MARKINGS- LETTERS AND SYMBOLS	SQ. FT	46.8
* 78000200	THERMOPLASTIC PAVEMENT MARKINGS- LINE 4"	FOOT	1900
* 78000500	THERMOPLASTIC PAVEMENT MARKINGS- LINE 8"	FOOT	100
* 78000600	THERMOPLASTIC PAVEMENT MARKINGS- LINE 12"	FOOT	150
* 78000650	THERMOPLASTIC PAVEMENT MARKINGS- LINE 24"	FOOT	36
* 78100100	RAISED REFLECTIVE PAVEMENT MARKER	EACH	553
78300200	RAISED REFLECTIVE PAVEMENT MARKER REMOVAL	EACH	553
X4066414	BITUMINOUS CONC. SURFACE COURSE, SUPERPAVE, MIX "C", N50	TON	9795
X4066735	LEVELING BINDER (HAND METHOD), SUPERPAVE, N50	TON	84
X4080020	INCIDENTAL BITUMINOUS SURFACING, SUPERPAVE, N50	TON	374
Z0028415	GEOTECHNICAL REINFORCEMENT	SQ YD	493
Z0028700	GRANULAR SUBGRADE REPLACEMENT	CU YD	169
Z0040315	PILOT CAR	DAY	6

\* SPECIALTY ITEM

GENERAL NOTES

When laying out for patching, the minimum distance between new patches (saw cut to saw cut) shall be 4.6 m (15 feet). When patch spacing is less than 4.6 m (15 feet), the pavement between patches shall also be removed and replaced.

The minimum patch dimension for full-depth patches will be 1.2 m (four feet) and half-lane width. Half-lane patches shall be confined to the outside edges of the pavement.

The existing bituminous surface on private and commercial entrances shall be bladed off or milled and disposed of outside the project limits. The cost of the blading, milling, rolling, and disposal shall be included in the contract unit price per Ton for INCIDENTAL BITUMINOUS SURFACING.

Milling machines on this project shall be capable of removing a layer of bituminous a minimum 12' wide and 1-1/2 inches in depth in a single pass, or using a 6' milling machine. The milling of Type A Gutters shown on the plans shall be included in BITUMINOUS SURFACE REMOVAL, 1½".

The Contractor will be required to furnish 140 mm (5 1/2") high brass stencils as approved by the Engineer and install stationing at 250' intervals. Stationing shall be placed on both lanes of 2-lane highways and on the outside lanes in both directions on 4-lane highways. The stations shall be placed 150 mm (6") inside the pavement marking edge so they can be read from the shoulder. This work will be included in the cost of the final pavement surface.

The following Mixture Requirements are applicable for this project:

Mixture Uses(s):	Surface	Bit. Replacement over Patches (Binder)
PG:	PG 64-22	PG 64-22
RAP%: (Max)	15%	15%
Design Air Voids	4.2 @ N50	4.2 @ N50
Mixture Composition (Gradation Mixture)	IL 9.5 or 12.5	IL 19
Friction Aggregate	C	
20 Year ESAL	2.6	

If, during the grinding or resurfacing operations, the existing mailboxes become a hindrance, the Contractor shall be required to carefully remove and reinstall the mailboxes as directed by the Engineer. This work shall be included in the contract unit price for the INCIDENTAL BITUMINOUS SURFACING.

Pavement Marking shall be done according to Standard 780001, except as follows:

1. All words, such as ONLY, shall be 2.4 m (8 feet) high.
2. All non-freeway arrows shall be the large size.
3. The distance between yellow no-passing lines shall be 200 mm (8"), not 180 mm (7") as shown in the detail of Typical Lane and Edge Lines.

The Contractor shall be responsible for protecting utility property during construction operations as outlined in Article 107.31 of the Standard Specifications. A minimum of 48 hours advance notice is required for non-emergency work. The JULIE number is 800-892-0123. The following listed utilities located within the project limits or immediately adjacent to the project construction limits are members of JULIE:

West Shore Pipeline Co.  
Verizon

Commonwealth Edison Co.  
NICOR Gas Co.

Following are the known utilities located within the project limits or immediately adjacent to the project construction limits which are not members of JULIE and should be notified individually by the contractor:

Mr. Ken Alberts  
Rochelle City Engineer  
3333 Lincoln Hwy.  
Rochelle, IL 61068

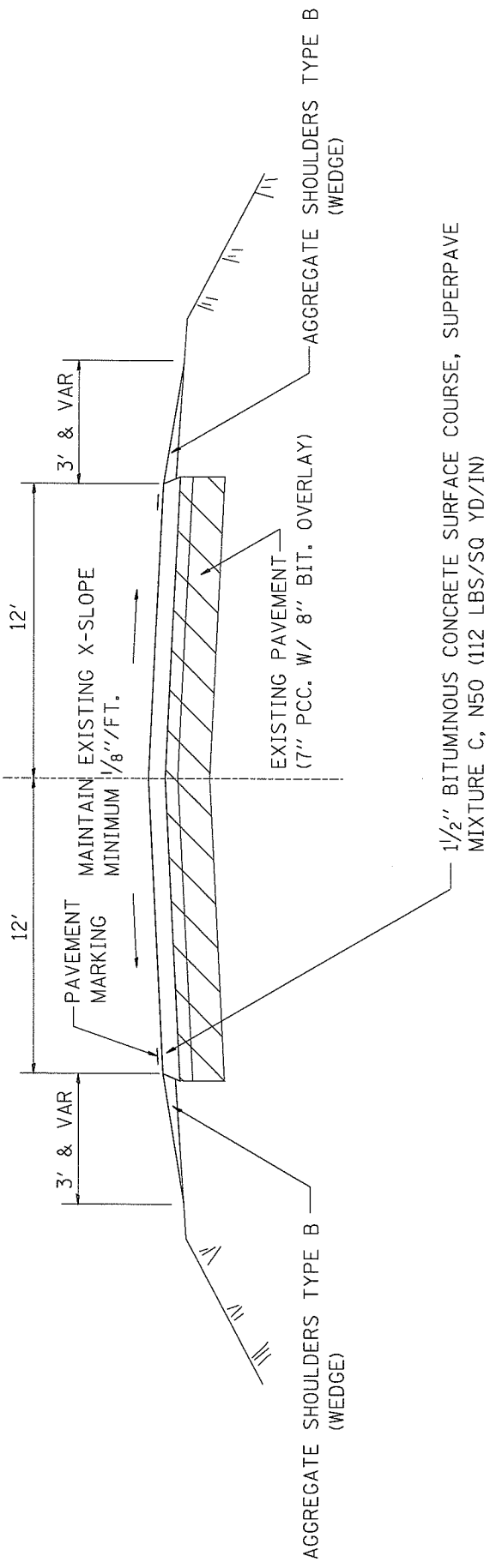
Mr. Vince Hannah  
Natural Gas Pipeline  
16648 IL Hwy 82  
Geneseo, IL 61254

# TYPICAL SECTIONS

CONTRACT NO. 64BBS	
SECTION	COUNTY
IT	ORLE
STA. TO STA.	40
ILLINOIS FED. AID PROJECT	
• 1110.111WRS-4	

STA. 1351+68 - STA. 1361+28  
 STA. 1371+47 - STA. 1375+69  
 STA. 1387+00 - STA. 1773+55

CL IL 64



REVISIONS	DATE

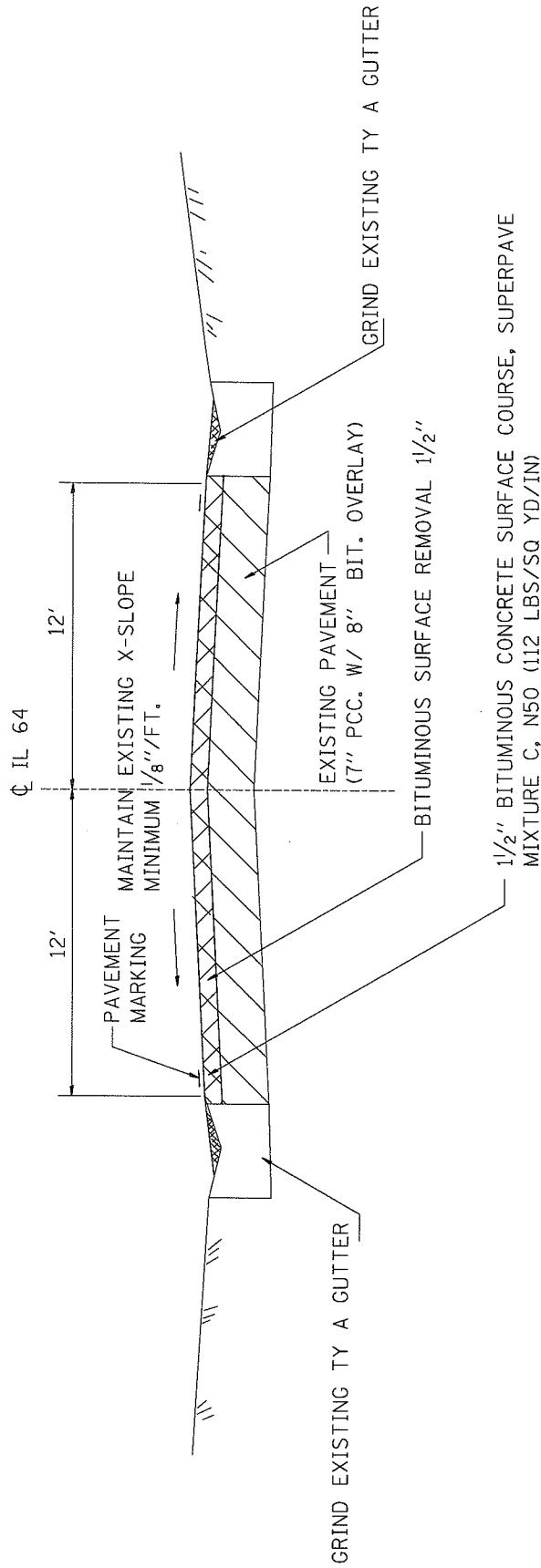
ILLINOIS DEPARTMENT OF TRANSPORTATION  
 SCALE: HORIZ. DATE  
 VERT. DATE  
 DRAWN BY  
 CHECKED BY

## TYPICAL SECTIONS

NOT DATE • NORTH  
 1/31 SCALE • 3/2018  
 1/28 NAME • 6/25/18

# TYPICAL SECTIONS

STA. 1361+28 - 1371+47 LT & RT  
 STA. 1375+69 - 1387+00 LT & RT



REVISIONS		ILLINOIS DEPARTMENT OF TRANSPORTATION	
NAME	DATE		

SCALE: VERT. HORIZ. DATE  
 DRAWN BY CHECKED BY

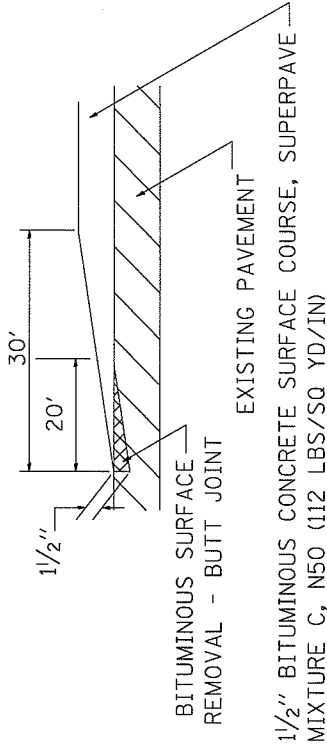
CONTRACT NO. 6886	SECTION	SHEET
COUNTY	NO.	OF
TO STA.	DATE	40
FROM STA.	PROJECT	
ILLINOIS FED. AID PROJECT		
G10.11185-4		

PLT DATE • DATE  
 FILE NAME • PLOT  
 PLOT SIZE • 8.5X11  
 PLOT NAME • PLOT

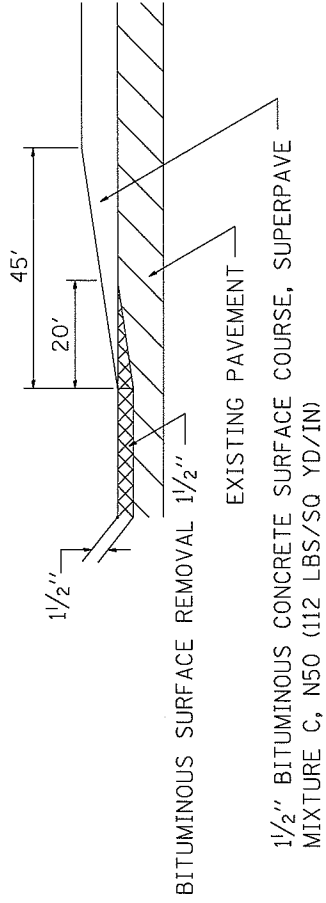
# TYPICAL SECTIONS

## TYPICAL TAPER

STA: 1351+38 TO 1351+68 ( JOB BEGIN)  
 STA: 1773+25 TO 1773+55 (JOB ENDS)



TYPICAL TRANSITION TAPER AT GRINDING SECTION:  
 STA. 1360+83 - STA. 1361+28  
 STA. 1387+00 - STA. 1387+45



CONTRACT NO. 6806		TOTAL SHEETS	
SHEET NO. 11	SECTION	COUNTY	SHEETS IN
11		CLAY	9
JOB NO. 1387		DATE	
DRAWN BY		CHECKED BY	
ILLINOIS DEPARTMENT OF TRANSPORTATION			

• 010,110RS-4

REVISIONS	DATE

ILLINOIS DEPARTMENT OF TRANSPORTATION

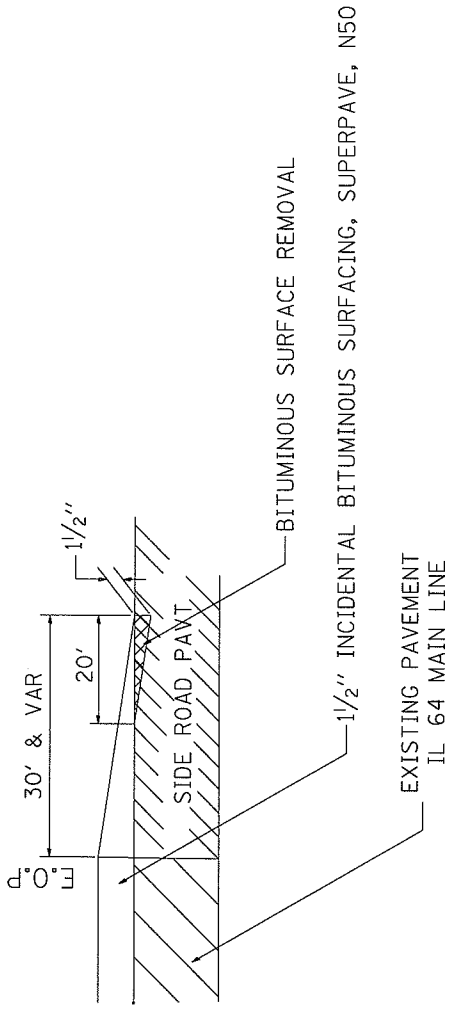
SCALE: VERT. HORIZ. DATE

DRAWN BY CHECKED BY

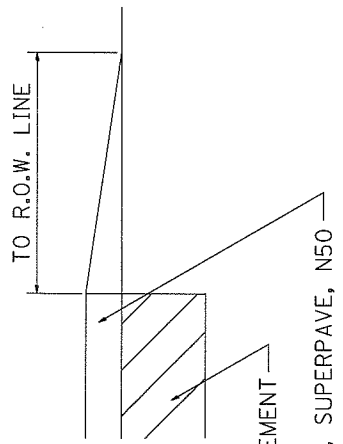
# TYPICAL SECTIONS

CONTRACT NO. 6398	
MAP	SECTION
DATE	COUNTY
SHEET NO.	SHEET NO.
NO. OF SHEETS	NO. OF SHEETS
DATE	DATE
BY	BY
CHECKED	CHECKED
APPROVED	APPROVED
ILLINOIS DEPARTMENT OF TRANSPORTATION	

SIDEROAD TAPER



BITUMINOUS ENTRANCES



REVISIONS	
NO.	DATE

ILLINOIS DEPARTMENT OF TRANSPORTATION

SCALE: VERT. HORIZ. DATE

DRAWN BY CHECKED BY

READ DATE - HOME  
PLT SCALE - 1"=16'  
USPT NAME - 4/8/88



**SCHEDULE OF QUANTITIES**

70300100	REMARKS	<b><u>SHORT TERM PAVEMENT MARKING</u></b>					
		<u>FOOT</u>		<u>LOCATION (2 APPLICATIONS)</u>			
		8437		1351 + 68	-	1773 + 55	
70301000	REMARKS	<b><u>WORK ZONE PAVEMENT MARKING REMOVAL</u></b>					
		<u>SQ FT</u>		<u>LOCATION</u>			
		1392		1351 + 68	-	1773 + 55	
78001110	REMARKS	<b><u>PAINT PAVEMENT MARKING-LINE 4"</u></b>					
		<u>FOOT</u>		<u>LOCATION (2 APPLICATIONS)</u>			
		<u>WHITE</u>	<u>YELLOW</u>				
		84374		1351 + 68	-	1773 + 55	E.O.P- RT
		84374		1351 + 68	-	1773 + 55	E.O.P-LT
		1472.5		1351 + 68	-	1357 + 57	SOLID RT/SKIP DASH LT
		1352		1357 + 57	-	1364 + 33	DBL SOLID
		1952.5		1364 + 33	-	1372 + 14	SOLID LT/SKIP DASH RT
		238.5		1372 + 14	-	1376 + 91	SKIP DASH
		2432.5		1376 + 91	-	1386 + 64	SOLID RT/SKIP DASH LT
		1612		1386 + 64	-	1394 + 70	DBL SOLID
		2225		1394 + 70	-	1403 + 60	SOLID LT/SKIP DASH RT
		948		1403 + 60	-	1422 + 56	SKIP DASH
		1640		1422 + 56	-	1429 + 12	SOLID RT/SKIP DASH LT
		704		1429 + 12	-	1432 + 64	DBL SOLID
		2990		1432 + 64	-	1444 + 60	SOLID LT/SKIP DASH RT
		309.5		1444 + 60	-	1450 + 79	SKIP DASH
		310		1450 + 79	-	1452 + 3	SOLID RT/SKIP DASH LT
		212.5		1452 + 3	-	1456 + 28	SKIP DASH
		1632.5		1456 + 28	-	1462 + 81	SOLID LT/SKIP DASH RT
		561.5		1462 + 81	-	1474 + 4	SKIP DASH
		2057.5		1474 + 4	-	1482 + 27	SOLID RT/SKIP DASH LT
		1124		1482 + 27	-	1487 + 89	DBL SOLID
		312.5		1487 + 89	-	1489 + 14	SOLID LT/SKIP DASH RT
		714		1489 + 14	-	1503 + 42	SKIP DASH
		1735		1503 + 42	-	1510 + 36	SOLID RT/SKIP DASH LT
		61.5		1510 + 36	-	1511 + 59	SKIP DASH
		2055		1511 + 59	-	1519 + 81	SOLID LT/SKIP DASH RT
		6958		1519 + 81	-	1658 + 97	SKIP DASH
		1572.5		1658 + 97	-	1665 + 26	SOLID RT/SKIP DASH LT
		1070		1665 + 26	-	1669 + 54	SOLID LT/SKIP DASH RT
		497		1669 + 54	-	1679 + 48	SKIP DASH
		1865		1678 + 23	-	1685 + 69	SOLID RT/SKIP DASH LT
		298		1684 + 40	-	1690 + 36	SKIP DASH
		1845		1689 + 10	-	1696 + 48	SOLID LT/SKIP DASH RT
		378.5		1695 + 24	-	1702 + 81	SKIP DASH
		3030		1701 + 55	-	1713 + 67	SOLID RT/SKIP DASH LT
		2460		1712 + 41	-	1724 + 71	DBL SOLID
		2317.5		1723 + 46	-	1732 + 73	SOLID LT/SKIP DASH RT
		1542		1731 + 43	-	1762 + 27	SKIP DASH
		7705		1741 + 43	-	1772 + 25	SOLID RT/SKIP DASH LT
		<b>168748</b>	<b>60191</b>	<b>SUBTOTAL</b>			
		<b>228939</b>		<b>TOTAL</b>			

78000100	REMARKS	<b><u>THERMOPLASTIC PAVEMENT MARKING-LETTERS AND SYMBOLS</u></b>			
		<u>SQ. FOOT</u>	<u>LOCATION</u>		
		<u>WHITE</u>			
		46.8	1772 + 25 - 1777 + 0		LEFT-TURN ARROW
78000200	REMARKS	<b><u>THERMOPLASTIC PAVEMENT MARKING-LINE 4"</u></b>			
		<u>FOOT</u>	<u>LOCATION</u>		
		<u>YELLOW</u>			
		1900	1772 + 25 - 1777 + 0		MEDIAN
78000500	REMARKS	<b><u>THERMOPLASTIC PAVEMENT MARKING-LINE 8"</u></b>			
		<u>FOOT</u>	<u>LOCATION</u>		
		<u>WHITE</u>			
		100	1773 + 21 - 1774 + 21		LT- TURN LANE
78000600	REMARKS	<b><u>THERMOPLASTIC PAVEMENT MARKING-LINE 12"</u></b>			
		<u>FOOT</u>	<u>LOCATION</u>		
		<u>YELLOW</u>			
		150	1772 + 25 - 1777 + 0		YELLOW- DIAGONAL
78000650	REMARKS	<b><u>THERMOPLASTIC PAVEMENT MARKING-LINE 24"</u></b>			
		<u>FOOT</u>	<u>LOCATION</u>		
		<u>WHITE</u>			
		36	1777 + 0 LT		STOP BAR
78100100	REMARKS	<b><u>RAISED REFLECTIVE PAVEMENT MARKER</u></b>			
		<u>EACH</u>	<u>LOCATION</u>		
		<u>YELLOW</u>			
		527	1351 + 68 LT		2-WAY AMBER @ 80' CTS
		26	1772 + 25 LT		2-WAY AMBER @ 40' CTS
		<b>553</b>	<b>TOTAL</b>		
78100200	REMARKS	<b><u>RAISED REFLECTIVE PAVEMENT MARKER REMOVAL</u></b>			
		<u>EACH</u>	<u>LOCATION</u>		
		<u>YELLOW</u>			
		526	1351 + 68 LT		2-WAY AMBER @ 80' CTS
		26	1772 + 25 LT		2-WAY AMBER @ 40' CTS
		<b>553</b>	<b>TOTAL</b>		

## ENTRANCE SCHEDULE

LOCATION	REMARKS		DRIVEWAY WIDTH FOOT	FLARE WIDTH FOOT	TOTAL BITUMINOUS AREA SQ YARD	BIT PRIME COAT TONS	INCID BIT SURF SURF N50 TONS
IL 84		Proposed					
1356+39	PE	RT BIT /MB	12.0	52.0	92.8	0.133	7.79
1372+78	PE	RT BIT /MB	12.0	52.0	92.8	0.133	7.79
1373+01	PE	RT BIT	12.0	52.0	71.1	0.102	5.97
1377+89	MB	RT BIT			21.7	0.031	1.82
1378+11	PE	RT BIT	12.0	52.0	71.1	0.102	5.97
1392+77	CE	LT BIT.	12.0	52.0	92.8	0.133	7.79
1393+21	MB	RT BIT			21.7	-	1.82
1395+58	MB	RT BIT /MB			21.7	-	1.82
1395+94	PE	RT BIT/MB	27.0	67.0	126.1	0.180	10.59
1395+21	MB	RT BIT			21.7	0.031	1.82
1394+15	MB	RT BIT /MB			21.7	0.031	1.82
1394+26	PE	RT BIT	12.0	52.0	71.1	-	5.97
1417+32	PE	RT BIT	14.0	52.0	73.3	0.105	6.16
1414+95	FE	LT AGG	20	60.0	88.9		
1418+03	FE	RT AGG	20	60.0	88.9		
1417+13	FE	RT AGG	20	60.0	88.9		
1421+93	FE	LT AGG	20	60.0	88.9		
1422+93	FE	LT AGG	20	60.0	88.9		
1468+31	FE	LT AGG	20	60.0	88.9		

## ENTRANCE SCHEDULE

LOCATION	REMARKS		DRIVEWAY WIDTH FOOT	FLARE WIDTH FOOT	TOTAL BITUMINOUS AREA SQ YARD	BIT PRIME COAT TONS	INCID BIT SURF SURF N50 TONS
1479+83	FE	RT	20	60.0	88.9		
1508+31	FE	LT	20	60.0	88.9		
1527+98	FE	RT	20	60.0	88.9		
1528+17	FE	LT	20	60.0	88.9		
1548+09	FE	RT	20	60.0	88.9		
1548+26	FE	LT	20	60.0	88.9		
1561+24	FE	RT	20	60.0	88.9		
1600+91	FE	LT	20	60.0	88.9		
1601+08	FE	RT	20	60.0	88.9		
1614+20	FE	LT	20	60.0	88.9		
1627+39	FE	RT	20	60.0	88.9		
1632+35	FE	LT	20	60.0	88.9		
1634+01	FE	RT	20	60.0	88.9		
1639+28	FE	LT	20	60.0	88.9		
1639+28	FE	RT	20	60.0	88.9		
1522+26	FE	LT	20	60.0	88.9		
1553+69	FE	RT	20	60.0	88.9		
1644+71	CE	RT	30	52.0	91.1	0.130	7.65
1654+76	CE	RT	30	52.0	91.1	0.130	7.65
1657+48	CE	RT	24	52.0	84.4	0.121	7.09

40600200 X4080020

# ENTRANCE SCHEDULE

LOCATION	REMARKS			DRIVEWAY WIDTH FOOT	FLARE WIDTH FOOT	TOTAL BITUMINOUS AREA SQ YARD	BIT PRIME COAT TONS	INCID BIT SURF SURF N50 TONS
	MB	RT	BIT					
1659+11	MB	RT	BIT			21.7	0.031	1.82
1660+44	MB	RT	BIT			43.3	0.062	4.85
1661+46	FE	LT	AGG	20	60.0	88.9		
1661+88	MB	RT	BIT			21.7	0.031	1.82
1662+97	FE	LT	AGG	20	60.0	88.9		
1664+14	FE	LT	AGG	20	60.0	88.9		
1664+18	FE	RT	AGG	20	60.0	88.9		
1665+06	FE	LT	AGG	20	60.0	88.9		
1665+33	FE	RT	AGG	20	60.0	88.9		
1666+07	FE	LT	AGG	20	60.0	88.9		
1667+18	MB	LT	BIT			21.7	0.031	1.82
1668+34	CE	RT	BIT	30	52.0	91.1	0.130	7.65
1668+87	PE	LT	BIT	15	52.0	74.4	0.106	6.25
1681+08	FE	LT	AGG	20	60.0	88.9		
1681+18	FE	RT	AGG	20	60.0	88.9		
1686+90	FE	RT	AGG	20	60.0	88.9		
1697+34	FE	LT	AGG	20	60.0	88.9		
1706+68	FE	LT	AGG	20	60.0	88.9		
1706+82	FE	RT	AGG	20	60.0	88.9		
1708+65	PE	LT	BIT	12	52.0	71.1	0.102	5.97

40600200 X4080020

# ENTRANCE SCHEDULE

LOCATION	REMARKS		DRIVEWAY WIDTH FOOT	FLARE WIDTH FOOT	TOTAL BITUMINOUS AREA SQ YARD	40600200		X4080020	
						BIT PRIME COAT TONS	INCID BIT SURF SURF N50 TONS		
1709+14	PE	LT	12	52.0	92.8	0.133	7.79		
1709+14	FE	RT	20	60.0	88.9				
1722+41	PE	RT	12	52.0	71.1	0.102	5.97		
1722+77	FE	LT	20	60.0	88.9				
1730+13	FE	LT	20	60.0	88.9				
1730+56	FE	RT	20	60.0	88.9				
1730+64	PE	LT	12	52.0	92.8	0.133	7.79		
1733+41	FE	LT	20	60.0	88.9				
1741+25	FE	RT	20	60.0	88.9				
1746+46	FE	LT	20	60.0	88.9				
1746+63	FE	LT	20	60.0	88.9				
1753+16	FE	RT	20	60.0	88.9				
1766+03	FE	RT	20	60.0	88.9				
1768+23	CE	RT	24	52.0	84.4	0.121	7.09		
1768+23	MB	LT			21.7	0.031	1.82		
<b>TOTALS</b>					<b>2022</b>	<b>1</b>	<b>50</b>		

# BITUMINOUS SCHEDULE

FA ROUTE 17 (IL 64)  
(110,111)RS-4  
CONTRACT# 64B86  
17 OF 40

EAST AND WEST BOUND IL ROUTE 64.

LOCATION		STATIONING	LENGTH (FT.)	REMARKS	WIDTH PAVT	PAVT AREA	PRIME BIT.	PRIME AGG.	BIT. CON SURF CSE. MIX.C,N50 SUPERPAVE	LEVEL BINDER HM SUPERPAVE	INCID. BIT SURF CSE N50	AGG SHLD TYPE B	BIT SURF REM	BIT SURF REM	TEMPORARY RAMP	
																(TON)
1351	+ 38	-	1351	+ 68												
1351	+ 68	-	1361	+ 28	24	80	0.02	0.1	7			1.3				13
1361	+ 28	-	1371	+ 47	24	2560	0.73	4	215	1.8		41				13
1371	+ 47	-	1375	+ 69	24	2717	0.78	4.1	228	1.9		GUTTER	53	3397		
1375	+ 69	-	1387	+ 0	24	1125	0.32	1.7	95	0.8		18.0				1125
1387	+ 0	-	1392	+ 0	24	3016	0.86	4.5	253	2.1		GUTTER	53	3770		
1392	+ 0	-	1397	+ 0	24	1333	0.38	2	112	0.9		21.4				
1397	+ 0	-	1402	+ 0	24	1333	0.38	2	112	0.9		21.4				
1402	+ 0	-	1407	+ 0	24	1333	0.38	2	112	0.9		21.4				
1407	+ 0	-	1412	+ 0	24	1333	0.38	2	112	0.9		21.4				
1412	+ 0	-	1417	+ 0	24	1333	0.38	2	112	0.9		21.4				
1417	+ 0	-	1422	+ 0	24	1333	0.38	2	112	0.9		21.4				
1422	+ 0	-	1427	+ 0	24	1333	0.38	2	112	0.9		21.4				
1427	+ 0	-	1432	+ 0	24	1333	0.38	2	112	0.9		21.4				
1432	+ 0	-	1437	+ 0	24	1333	0.38	2	112	0.9		21.4				
1437	+ 0	-	1442	+ 0	24	1333	0.38	2	112	0.9		21.4				
1442	+ 0	-	1447	+ 0	24	1333	0.38	2	112	0.9		21.4				
1447	+ 0	-	1452	+ 0	24	1333	0.38	2	112	0.9		21.4				
1452	+ 0	-	1457	+ 0	24	1333	0.38	2	112	0.9		21.4				
1457	+ 0	-	1462	+ 0	24	1333	0.38	2	112	0.9		21.4				
1462	+ 0	-	1467	+ 0	24	1333	0.38	2	112	0.9		21.4				
1467	+ 0	-	1472	+ 0	24	1333	0.38	2	112	0.9		21.4				
1472	+ 0	-	1477	+ 0	24	1333	0.38	2	112	0.9		21.4				
1477	+ 0	-	1482	+ 0	24	1333	0.38	2	112	0.9		21.4				
1482	+ 0	-	1487	+ 0	24	1333	0.38	2	112	0.9		21.4				
1487	+ 0	-	1492	+ 0	24	1333	0.38	2	112	0.9		21.4				
1492	+ 0	-	1497	+ 0	24	1333	0.38	2	112	0.9		21.4				
1497	+ 0	-	1502	+ 0	24	1333	0.38	2	112	0.9		21.4				
1502	+ 0	-	1507	+ 0	24	1333	0.38	2	112	0.9		21.4				
1507	+ 0	-	1512	+ 0	24	1333	0.38	2	112	0.9		21.4				
1512	+ 0	-	1517	+ 0	24	1333	0.38	2	112	0.9		21.4				
1517	+ 0	-	1522	+ 0	24	1333	0.38	2	112	0.9		21.4				
1522	+ 0	-	1527	+ 0	24	1333	0.38	2	112	0.9		21.4				
1527	+ 0	-	1532	+ 0	24	1333	0.38	2	112	0.9		21.4				
1532	+ 0	-	1537	+ 0	24	1333	0.38	2	112	0.9		21.4				
1537	+ 0	-	1542	+ 0	24	1333	0.38	2	112	0.9		21.4				
1542	+ 0	-	1547	+ 0	24	1333	0.38	2	112	0.9		21.4				
1547	+ 0	-	1552	+ 0	24	1333	0.38	2	112	0.9		21.4				
1552	+ 0	-	1557	+ 0	24	1333	0.38	2	112	0.9		21.4				
1557	+ 0	-	1562	+ 0	24	1333	0.38	2	112	0.9		21.4				
1562	+ 0	-	1567	+ 0	24	1333	0.38	2	112	0.9		21.4				

# BITUMINOUS SCHEDULE

FA ROUTE 17 (IL 64)  
(110,111)RS-4  
CONTRACT# 64B86  
18 OF 40

EAST AND WEST BOUND IL ROUTE 64.

40600200 40600300 X40606424 X4066735 X4080020 48101200 40600980 44000006 40600990

STATIONING	LOCATION	LENGTH (FT.)	REMARKS	WIDTH PAVT (FT.)	PAVT AREA (SQ. YDS.)	PRIME BIT. (TON)	PRIME AGG. (TON)	BIT. CON SURF CSE. MIX C,N60 SUPERPAVE (TON)	LEVEL BINDER HM SUPERPAVE (TON)	INCID. BIT SURF CSE N50 (TON)	AGG SHLD TYPE B (TON)	BIT SURF REM BUTT JOINT (SQ. YD.)	BIT SURF REM 1 1/2" (SQ. YD.)	TEMPORARY RAMP (SQ. YD.)
1567 + 0	-	1572 + 0		24	1333	0.38	2	112	0.9		21.4			
1572 + 0	-	1577 + 0		24	1333	0.38	2	112	0.9		21.4			
1577 + 0	-	1582 + 0		24	1333	0.38	2	112	0.9		21.4			
1582 + 0	-	1587 + 0		24	1333	0.38	2	112	0.9		21.4			
1587 + 0	-	1592 + 0		24	1333	0.38	2	112	0.9		21.4			
1592 + 0	-	1597 + 0		24	1333	0.38	2	112	0.9		21.4			
1597 + 0	-	1602 + 0		24	1333	0.38	2	112	0.9		21.4			
1602 + 0	-	1607 + 0		24	1333	0.38	2	112	0.9		21.4			
1607 + 0	-	1612 + 0		24	1333	0.38	2	112	0.9		21.4			
1612 + 0	-	1617 + 0		24	1333	0.38	2	112	0.9		21.4			
1617 + 0	-	1622 + 0		24	1333	0.38	2	112	0.9		21.4			
1622 + 0	-	1627 + 0		24	1333	0.38	2	112	0.9		21.4			
1627 + 0	-	1632 + 0		24	1333	0.38	2	112	0.9		21.4			
1632 + 0	-	1637 + 0		24	1333	0.38	2	112	0.9		21.4			
1637 + 0	-	1642 + 0		24	1333	0.38	2	112	0.9		21.4			
1642 + 0	-	1647 + 0		24	1333	0.38	2	112	0.9		21.4			
1647 + 0	-	1652 + 0		24	1333	0.38	2	112	0.9		21.4			
1652 + 0	-	1657 + 0		24	1333	0.38	2	112	0.9		21.4			
1657 + 0	-	1662 + 0		24	1333	0.38	2	112	0.9		21.4			
1662 + 0	-	1667 + 0		24	1333	0.38	2	112	0.9		21.4			
1667 + 0	-	1672 + 0		24	1333	0.38	2	112	0.9		21.4			
1672 + 0	-	1677 + 0		24	1333	0.38	2	112	0.9		21.4			
1677 + 0	-	1682 + 0		24	1333	0.38	2	112	0.9		21.4			
1682 + 0	-	1687 + 0		24	1333	0.38	2	112	0.9		21.4			
1687 + 0	-	1692 + 0		24	1333	0.38	2	112	0.9		21.4			
1692 + 0	-	1697 + 0		24	1333	0.38	2	112	0.9		21.4			
1697 + 0	-	1702 + 0		24	1333	0.38	2	112	0.9		21.4			
1702 + 0	-	1707 + 0		24	1333	0.38	2	112	0.9		21.4			
1707 + 0	-	1712 + 0		24	1333	0.38	2	112	0.9		21.4			
1712 + 0	-	1717 + 0		24	1333	0.38	2	112	0.9		21.4			
1717 + 0	-	1722 + 0		24	1333	0.38	2	112	0.9		21.4			
1722 + 0	-	1727 + 0		24	1333	0.38	2	112	0.9		21.4			
1727 + 0	-	1732 + 0		24	1333	0.38	2	112	0.9		21.4			
1732 + 0	-	1737 + 0		24	1333	0.38	2	112	0.9		21.4			
1737 + 0	-	1742 + 0		24	1333	0.38	2	112	0.9		21.4			
1742 + 0	-	1747 + 0		24	1333	0.38	2	112	0.9		21.4			
1747 + 0	-	1752 + 0		24	1333	0.38	2	112	0.9		21.4			
1752 + 0	-	1757 + 0		24	1333	0.38	2	112	0.9		21.4			
1757 + 0	-	1762 + 0		24	1333	0.38	2	112	0.9		21.4			
1762 + 0	-	1767 + 0		24	1333	0.38	2	112	0.9		21.4			
1767 + 0	-	1772 + 0		24	1333	0.38	2	112	0.9		21.4			
1772 + 0	-	1773 + 55		24	6733	1.93	10	566	4.8		107.8			
1773 + 25	-	1773 + 55		24	347	0.10	1	29	0.2		5.6			
1773 + 25	-	1773 + 55		24	80	0.02	0	7	0.1		1.3			



# BITUMINOUS SCHEDULE

FA ROUTE 17 (IL 64)  
 (110,111)RS-4  
 CONTRACT# 64B86  
 19 OF 40

EAST AND WEST BOUND IL ROUTE 64.

LOCATION		LENGTH	REMARKS	WIDTH	PAVT	PRIME	PRIME	PRIME	BIT. CON SURF	LEVEL BINDER	INCID. BIT	AGG SHLD	BIT SURF	TEMPORARY
STATIONING	(FT.)	(SQ. YDS.)	(TON)	(TON)	(TON)	AGG.	CSE. MIX C,N50	HM	N50	TYPE B	REIN	REIN	REIN	REIN
							SUPERPAVE	SUPERPAVE			1 1/2"			
<b>SIDE ROADS</b>														
1351 + 68	LT			22	276.3	0.08	0.4	23	23	0.9	49	49		12
1351 + 68	RT			22	276.3	0.08	0.4	23	23	0.9	49	49		12
1393 + 39	LT			22	165.2	0.05	0.2	14	14	0.9	49	49		12
1393 + 39	RT			22	165.2	0.05	0.2	14	14	0.9	49	49		12
1443 + 2	LT			22	165.2	0.05	0.2	14	14	0.9	49	49		12
1443 + 2	RT			22	165.2	0.05	0.2	14	14	0.9	49	49		12
1485 + 26	LT			22	165.2	0.05	0.2	14	14	0.9	49	49		12
1485 + 26	RT			22	165.2	0.05	0.2	14	14	0.9	49	49		12
1485 + 26	RT			22	165.2	0.05	0.2	14	14	0.9	49	49		12
1534 + 90	LT			22	165.2	0.05	0.2	14	14	0.9	49	49		12
1534 + 90	RT			22	165.2	0.05	0.2	14	14	0.9	49	49		12
1588 + 22	LT			22	165.2	0.05	0.2	14	14	0.9	49	49		12
1588 + 22	RT			22	165.2	0.05	0.2	14	14	0.9	49	49		12
1641 + 2	LT			22	165.2	0.05	0.2	14	14	0.9	49	49		12
1641 + 2	RT			22	165.2	0.05	0.2	14	14	0.9	49	49		12
1657 + 39	LT			22	165.2	0.05	0.2	14	14	0.9	49	49		12
1657 + 39	RT			22	165.2	0.05	0.2	14	14	0.9	49	49		12
1660 + 56	LT			22	165.2	0.05	0.2	14	14	0.9	49	49		12
1660 + 56	RT			22	165.2	0.05	0.2	14	14	0.9	49	49		12
1663 + 73	LT			22	165.2	0.05	0.2	14	14	0.9	49	49		12
1663 + 73	RT			22	165.2	0.05	0.2	14	14	0.9	49	49		12
1667 + 42	RT			22	165.2	0.05	0.2	14	14	0.9	49	49		12
1718 + 70	RT			22	165.2	0.05	0.2	14	14	0.9	49	49		12
<b>SUB-TOTALS</b>														
<b>QTY FROM ENTRANCE SCHEDULE</b>														
<b>TOTALS</b>														
						35	183	10235	84	324	1819	1236	8292	290
						35	184	10235	84	374	1819	1236	8292	290

PARTIAL DEPTH PAVEMENT PATCHING SCHEDULE

FAP 17 (IL 64)  
 (110,111)RS-4  
 OGLE COUNTY  
 SHEET 20 OF 40

STATION	LENGTH OF		AREA OF PATCHES						BITUMINOUS REM		BITUMINOUS REPL		GEO. REINF	SUBGRADE REP.
	PATCH		PAVT PATCHING TYPE II-7"		PAVT PATCHING TYPE III-7"		PAVT PATCHING TYPE IV-7"		OVER PATCHES 8"		OVER PATCHES			
	LT LANE (feet)	RT LANE (feet)	LT LANE SQ. YD.	RT LANE SQ. YD.	LT LANE SQ. YD.	RT LANE SQ. YD.	LT LANE SQ. YD.	RT LANE SQ. YD.	LT LANE SQ. YD.	RT LANE SQ. YD.	LT LANE TONS	RT LANE TONS	SQ YD	TON
1351 + 68	6	6	8.0	8.0					8.0	8.0	3.6	3.6		
1352 + 15	6	6	8.0	8.0					8.0	8.0	3.6	3.6		
1352 + 41	6	6	8.0	8.0					8.0	8.0	3.6	3.6		
1353 + 13	6	6	8.0	8.0					8.0	8.0	3.6	3.6		
1353 + 87	6	6	8.0	8.0					8.0	8.0	3.6	3.6		
1355 + 41	6	6	8.0	8.0					8.0	0.0	3.6	0.0		
1356 + 89	6	6	8.0	8.0					8.0	8.0	3.6	3.6		
1356 + 54	6	6	8.0	8.0					8.0	8.0	3.6	3.6		
1360 + 29	6	6	8.0	8.0					8.0	8.0	3.6	3.6		
1363 + 60	6	6	8.0	8.0					8.0	8.0	3.6	3.6		
1364 + 29	6	6	8.0	8.0					8.0	8.0	3.6	3.6		
1365 + 10	6	6	8.0	8.0					8.0	8.0	3.6	3.6		
1365 + 85	6	6	8.0	8.0					8.0	8.0	3.6	3.6		
1367 + 64	10	10	13.3	13.3					13.3	13.3	6.1	6.1		
1370 + 35	10	10	13.3	13.3					13.3	13.3	6.1	6.1		
1371 + 85	10	10	13.3	13.3					13.3	13.3	6.1	6.1		
1373 + 1								26.7	0.0	0.0	0.0	0.0		
1374 + 51	20	10							26.7	13.3	12.1	6.1		
1378 + 64	8	8	10.7	10.7					10.7	10.7	4.9	4.9		
1380 + 47	6	6	8.0	8.0					8.0	8.0	3.6	3.6		
1385 + 53	6	6	8.0	8.0					8.0	0.0	3.6	0.0		
1386 + 14	6	6	8.0	8.0					8.0	8.0	3.6	3.6		
1388 + 18	6	6	8.0	8.0					8.0	8.0	3.6	3.6		
1389 + 58	6	6	8.0	8.0					8.0	8.0	3.6	3.6		
1389 + 76	6	6	8.0	8.0					8.0	8.0	3.6	3.6		
1394 + 55	6	6	8.0	8.0					8.0	8.0	3.6	3.6		
1395 + 18	6	6	8.0	8.0					8.0	0.0	3.6	0.0		
1396 + 28	6	6	8.0	8.0					8.0	8.0	3.6	3.6		
1400 + 33	6	6	8.0	8.0					8.0	0.0	3.6	0.0		
1401 + 93	7	7	9.3	9.3					9.3	9.3	4.3	4.3		
1404 + 5	6	6	8.0	8.0					8.0	8.0	3.6	3.6		
1410 + 4	15	15	8.0	8.0	20.0	20.0			20.0	20.0	9.1	9.1		
1411 + 95	6	6	8.0	8.0					8.0	8.0	3.6	3.6		
1414 + 45	6	6	8.0	8.0					8.0	0.0	3.6	0.0		
1416 + 68	6	6	8.0	8.0					8.0	8.0	3.6	3.6		
1417 + 33	6	6	8.0	8.0					8.0	8.0	3.6	3.6		
1420 + 45	6	6	8.0	8.0					8.0	8.0	3.6	3.6		
1421 + 26	10	10	13.3	13.3					13.3	13.3	6.1	6.1		
1423 + 61	6	6	8.0	8.0					8.0	0.0	3.6	0.0		
1424 + 21	6	6	8.0	8.0					8.0	8.0	3.6	3.6		
1427 + 36	6	6	8.0	8.0					8.0	8.0	3.6	3.6		
1428 + 85	6	6	8.0	8.0					8.0	8.0	3.6	3.6		
1429 + 82	6	6	8.0	8.0					8.0	8.0	3.6	3.6		
1430 + 47	6	6	8.0	8.0					8.0	8.0	3.6	3.6		
1431 + 86	10	10	13.3	13.3					13.3	13.3	6.1	6.1		

12 FE 442000079 442000084 442000086 44000132 40602000 Z0028415 Z0028700

PARTIAL DEPTH PAVEMENT PATCHING SCHEDULE

FAP 17 (IL 64)  
 (110,111)RS-4  
 OGLE COUNTY  
 SHEET 21 OF 40

STATION	LENGTH OF		AREA OF PATCHES						BITUMINOUS REM		BITUMINOUS REPL		GEO. REINF	SUBGRADE GRANULAR REP.
	PATCH		PAVT PATCHING TYPE I-7"		PAVT PATCHING TYPE III 7"		PAVT PATCHING TYPE IV-7"		OVER PATCHES 8"		OVER PATCHES			
	LT LANE (feet)	RT LANE (feet)	LT LANE SQ. YD.	RT LANE SQ. YD.	LT LANE SQ. YD.	RT LANE SQ. YD.	LT LANE SQ. YD.	RT LANE SQ. YD.	LT LANE SQ. YD.	RT LANE SQ. YD.	LT LANE TONS	RT LANE TONS		
1351 + 68	6	6	8.0	8.0					8.0	8.0	3.6	3.6		
1434 + 63	6	6	13.3	8.0					13.3	8.0	6.1	3.6		
1437 + 30	10	6	8.0	8.0					0.0	8.0	0.0	3.6		
1438 + 96	6	6	8.0	8.0					8.0	8.0	3.6	3.6		
1441 + 59	6	6	8.0	8.0					8.0	26.7	3.6	12.1		
1442 + 75	6	20	8.0	8.0					8.0	0.0	3.6	0.0		
1443 + 38	6	6	8.0	8.0					13.3	13.3	6.1	6.1		
1447 + 23	10	10	8.0	8.0					8.0	8.0	3.6	3.6		
1448 + 77	6	6	8.0	8.0					8.0	0.0	3.6	0.0		
1451 + 96	6	6	8.0	8.0					8.0	0.0	3.6	0.0		
1453 + 50	6	6	8.0	8.0					8.0	0.0	3.6	0.0		
1455 + 20	6	6	8.0	8.0					8.0	8.0	3.6	3.6		
1456 + 12	6	6	8.0	8.0					13.3	13.3	6.1	6.1		
1458 + 5	10	10	8.0	8.0					8.0	8.0	3.6	3.6		
1458 + 90	6	6	8.0	8.0					8.0	8.0	3.6	3.6		
1459 + 98	6	6	8.0	8.0					8.0	0.0	3.6	0.0		
1461 + 95	6	6	8.0	8.0					8.0	8.0	3.6	3.6		
1463 + 90	6	6	8.0	8.0					8.0	0.0	3.6	0.0		
1464 + 5	6	6	8.0	8.0					8.0	8.0	3.6	3.6		
1465 + 26	6	6	8.0	8.0					8.0	8.0	3.6	3.6		
1466 + 84	6	6	8.0	8.0					8.0	8.0	3.6	3.6		
1467 + 58	6	6	8.0	8.0					8.0	8.0	3.6	3.6		
1468 + 40	6	6	8.0	8.0					8.0	8.0	3.6	3.6		
1469 + 37	6	6	8.0	8.0					8.0	8.0	3.6	3.6		
1470 + 84	6	6	8.0	8.0					13.3	13.3	6.1	6.1		
1471 + 53	10	10	8.0	8.0					8.0	8.0	3.6	3.6		
1473 + 96	6	6	8.0	8.0					13.3	0.0	6.1	0.0		
1479 + 7	6	6	8.0	8.0					8.0	8.0	3.6	3.6		
1480 + 00	10	10	13.3	13.3					13.3	13.3	6.1	6.1		
1481 + 56	6	6	8.0	8.0					8.0	8.0	3.6	3.6		
1482 + 42	6	6	8.0	8.0					8.0	0.0	3.6	0.0		
1489 + 67	6	6	8.0	8.0					8.0	0.0	3.6	0.0		
1491 + 87	6	6	8.0	8.0					8.0	0.0	3.6	0.0		
1492 + 64	6	6	8.0	8.0					8.0	0.0	3.6	0.0		
1495 + 76	15	6	8.0	8.0	20.0				20.0	8.0	9.1	3.6		
1499 + 86	6	6	8.0	8.0					8.0	8.0	3.6	3.6		
1501 + 53	6	6	8.0	8.0					8.0	8.0	3.6	3.6		
1504 + 16	6	6	8.0	8.0					8.0	0.0	3.6	0.0		
1505 + 28	6	6	8.0	8.0					8.0	8.0	3.6	3.6		
1508 + 84	6	6	8.0	8.0					8.0	8.0	3.6	3.6		
1509 + 58	6	6	8.0	8.0					8.0	8.0	3.6	3.6		
1511 + 34	25	6	8.0	8.0				33.3	33.3	0.0	15.2	0.0		
1512 + 73	6	6	8.0	8.0					8.0	8.0	3.6	3.6		
1514 + 25	6	6	8.0	8.0					8.0	0.0	3.6	0.0		
1516 + 66	6	6	8.0	8.0					8.0	8.0	3.6	3.6		

12 FE

44200079

44200084

44200086

44000132

40602000

Z0028415

Z0028700

PARTIAL DEPTH PAVEMENT PATCHING SCHEDULE

FAP 17 (L 04)  
 (110,111)RS-4  
 OGLE COUNTY  
 SHEET 22 OF 40

STATION	LENGTH OF		AREA OF PATCHES				BITUMINOUS REM		BITUMINOUS REPL		GEO. REINF	SUBGRADE GRANULAR REP.
	PATCH		PAVT PATCHING TYPE II-7"		PAVT PATCHING TYPE III-7"		PAVT PATCHING TYPE IV-7"		OVER PATCHES 8"			
	LT LANE (feet)	RT LANE (feet)	LT LANE SQ. YD.	RT LANE SQ. YD.	LT LANE SQ. YD.	RT LANE SQ. YD.	LT LANE SQ. YD.	RT LANE SQ. YD.	LT LANE TONS	RT LANE TONS	SQ. YD.	TON
1331 + 68												
1324 + 00	6	6	8.0	8.0			8.0	8.0	3.6	3.6		
1325 + 11	6	6	8.0	8.0			8.0	8.0	3.6	3.6		
1326 + 51	6	6	8.0	8.0			8.0	8.0	3.6	3.6		
1329 + 84	15	8	8.0	8.0	20.0		20.0	8.0	9.1	3.6		
1331 + 99	6	6	8.0	8.0			8.0	8.0	3.6	3.6		
1339 + 59	6	6	8.0	8.0			8.0	8.0	3.6	3.6		
1341 + 8	6	6	8.0	8.0			8.0	8.0	3.6	3.6		
1342 + 54	6	6	8.0	8.0			8.0	8.0	3.6	3.6		
1353 + 63	6	6	8.0	8.0			8.0	8.0	3.6	3.6		
1354 + 27	6	6	8.0	8.0			8.0	8.0	3.6	3.6		
1356 + 00	10	10	13.3	13.3			13.3	13.3	6.1	6.1		
1360 + 71	6	6	8.0	8.0			8.0	8.0	3.6	3.6		
1363 + 24	6	6	8.0	8.0			8.0	8.0	3.6	3.6		
1364 + 4	6	6	8.0	8.0			8.0	8.0	3.6	3.6		
1366 + 90	20	20	8.0	8.0			26.7	26.7	12.1	12.1		
1368 + 18	6	6	8.0	8.0			8.0	8.0	3.6	3.6		
1368 + 67	6	6	8.0	8.0			8.0	8.0	3.6	3.6		
1369 + 27	6	6	8.0	8.0			8.0	8.0	3.6	3.6		
1369 + 75	6	6	8.0	8.0			8.0	8.0	3.6	3.6		
1370 + 82	6	6	8.0	8.0			8.0	8.0	3.6	3.6		
1372 + 10	20	20	8.0	8.0			26.7	26.7	12.1	12.1		
1372 + 44	6	6	8.0	8.0			8.0	8.0	3.6	3.6		
1373 + 27	6	6	8.0	8.0			8.0	8.0	3.6	3.6		
1375 + 43	6	6	8.0	8.0			8.0	8.0	3.6	3.6		
1377 + 90	15	10	8.0	8.0	20.0		20.0	13.3	9.1	6.1		
1378 + 79	6	6	8.0	8.0			8.0	8.0	3.6	3.6		
1381 + 37	6	6	8.0	8.0			8.0	8.0	3.6	3.6		
1381 + 76	6	6	8.0	8.0			8.0	8.0	3.6	3.6		
1382 + 18	25	25	13.3	13.3			33.3	33.3	15.2	15.2		
1383 + 00	10	10	8.0	8.0			13.3	13.3	6.1	6.1		
1383 + 98	6	6	8.0	8.0			8.0	8.0	3.6	3.6		
1386 + 9	6	6	8.0	8.0			8.0	8.0	3.6	3.6		
1386 + 22	6	6	8.0	8.0			8.0	8.0	3.6	3.6		
1391 + 78	6	6	8.0	8.0			8.0	8.0	3.6	3.6		
1392 + 44	6	6	8.0	8.0			8.0	8.0	3.6	3.6		
1392 + 98	6	6	8.0	8.0			8.0	8.0	3.6	3.6		
1395 + 30	6	6	8.0	8.0			8.0	8.0	3.6	3.6		
1396 + 63	6	6	8.0	8.0			8.0	8.0	3.6	3.6		
1398 + 70	6	6	8.0	8.0			8.0	8.0	3.6	3.6		
1398 + 87	6	6	8.0	8.0			8.0	8.0	3.6	3.6		
1402 + 4	6	6	8.0	8.0			8.0	8.0	3.6	3.6		
1403 + 58	6	6	8.0	8.0			8.0	8.0	3.6	3.6		
1404 + 53	6	6	8.0	8.0			8.0	8.0	3.6	3.6		
1405 + 24	6	6	8.0	8.0			8.0	8.0	3.6	3.6		

12 FE

442000079

442000084

442000096

44000132

40602000

Z0028415

Z0028700

PARTIAL DEPTH PAVEMENT PATCHING SCHEDULE

FAP 17 (IL 64)  
 (110,111)RS-4  
 OGLE COUNTY  
 SHEET 23 OF 40

STATION	LENGTH OF		AREA OF PATCHES						BITUMINOUS REM		BITUMINOUS REPL		GEO. REINF	SUBGRADE GRANULAR REP.
	PATCH		PAVT PATCHING TYPE II-7"		PAVT PATCHING TYPE III-7"		PAVT PATCHING TYPE IV-7"		OVER PATCHES 8"		OVER PATCHES			
	LT LANE (feet)	RT LANE (feet)	LT LANE SQ. YD.	RT LANE SQ. YD.	LT LANE SQ. YD.	RT LANE SQ. YD.	LT LANE SQ. YD.	RT LANE SQ. YD.	LT LANE SQ. YD.	RT LANE SQ. YD.	LT LANE TONS	RT LANE TONS		
1361 + 88														
1605 + 48	6	6	8.0	8.0					8.0	8.0	3.6	3.6		
1607 + 25		6		8.0					0.0	8.0	0.0	3.6		
1608 + 60		6		8.0					0.0	8.0	0.0	3.6		
1610 + 26	6	6	8.0	8.0					8.0	8.0	3.6	3.6		
1610 + 43	6	6	8.0	8.0					8.0	8.0	3.6	3.6		
1612 + 13	6	6	8.0	8.0					8.0	8.0	3.6	3.6		
1612 + 58	6	6	8.0	8.0					8.0	0.0	3.6	0.0		
1613 + 2	6	6	8.0	8.0					8.0	0.0	3.6	0.0		
1613 + 54	6	6	8.0	8.0					8.0	8.0	3.6	3.6		
1614 + 26	6	6	8.0	8.0					8.0	8.0	3.6	3.6		
1604 + 72	6	6	8.0	8.0					8.0	8.0	3.6	3.6		
1616 + 67	6	6	8.0	8.0					0.0	8.0	0.0	3.6		
1618 + 87	6	6	8.0	8.0					8.0	8.0	3.6	3.6		
1620 + 3	6	6	8.0	8.0					8.0	8.0	3.6	3.6		
1627 63	15	6		8.0	20.0				20.0	8.0	9.1	3.6		
1628 40	6	6	8.0	8.0					8.0	0.0	3.6	0.0		
1628 95	6	6	8.0	8.0					8.0	0.0	3.6	0.0		
1629 64	6	6	8.0	8.0					8.0	0.0	3.6	0.0		
1629 75		6		8.0					0.0	8.0	0.0	3.6		
1630 11	6	6	8.0	8.0					8.0	0.0	3.6	0.0		
1631 17		10		13.3					0.0	13.3	0.0	6.1		
1632 33	6	6	8.0	8.0					8.0	8.0	3.6	3.6		
1632 97	6	6	8.0	8.0					8.0	8.0	3.6	3.6		
1633 24	20	15			20.0				26.7	20.0	12.1	9.1		
1633 55	6	6	8.0	8.0					8.0	8.0	3.6	3.6		
1634 20	6	6	8.0	8.0					8.0	8.0	3.6	3.6		
1634 59	6	6	8.0	8.0					8.0	8.0	3.6	3.6		
1634 79	6	6	8.0	8.0					8.0	8.0	3.6	3.6		
1635 5	10	10	13.3	13.3					13.3	13.3	6.1	6.1		
1635 41	20	6		8.0					26.7	26.7	12.1	3.6		
1636 11	20	6		8.0					26.7	0.0	12.1	0.0		
1636 60	10	10	13.3	13.3					13.3	13.3	6.1	6.1		
1638 29	6	6	8.0	8.0					8.0	8.0	3.6	3.6		
1638 85	10	10	13.3	13.3					13.3	13.3	6.1	6.1		
1639 44	6	6	8.0	8.0					8.0	8.0	3.6	3.6		
1640 51	6	6	8.0	8.0					8.0	8.0	3.6	3.6		
1641 38	6	6	8.0	8.0					8.0	8.0	3.6	3.6		
1641 90	10	20	13.3	13.3					13.3	26.7	6.1	12.1		
1642 41	6	6	8.0	8.0					8.0	8.0	3.6	3.6		
1643 35	15	6		8.0					20.0	8.0	9.1	3.6		
1644 81	20	10		13.3					26.7	13.3	12.1	6.1		
1645 97	10	10	13.3	13.3					13.3	13.3	6.1	6.1		
1647 5	6	6	8.0	8.0					8.0	8.0	3.6	3.6		
1647 65	6	6	8.0	8.0					8.0	8.0	3.6	3.6		

12 FE

442000079

442000084

442000086

44000132

40602000

Z0028415

Z0028700

PARTIAL DEPTH PAVEMENT PATCHING SCHEDULE

FAP 17 (L 64)  
 (110,111)RS-4  
 OGLE COUNTY  
 SHEET 24 OF 40

STATION	LENGTH OF		AREA OF PATCHES						BITUMINOUS REM		BITUMINOUS REPL		GEO. REINF	SUBGRADE GRANULAR REP.
	PATCH		PAVT PATCHING TYPE II-7"		PAVT PATCHING TYPE III-7"		PAVT PATCHING TYPE IV-7"		OVER PATCHES 8"		OVER PATCHES			
	LT LANE (feet)	RT LANE (feet)	SQ. YD.	RT LANE SQ. YD.	LT LANE SQ. YD.	RT LANE SQ. YD.	LT LANE SQ. YD.	RT LANE SQ. YD.	LT LANE SQ. YD.	RT LANE SQ. YD.	LT LANE TONS	RT LANE TONS		
1331 + 08	6	6	8.0	8.0					8.0	8.0	3.6	3.6		
1648 9	15	10			20.0				20.0	13.3	9.1	6.1		
1648 52									0.0	8.0	0.0	3.6		
1649 12	6	6	8.0						13.3	13.3	6.1	6.1		
1649 69	10	10	13.3						8.0	8.0	3.6	3.6		
1651 30	6	6	8.0						8.0	8.0	3.6	3.6		
1652 54	6	6	8.0						8.0	8.0	3.6	3.6		
1653 54	6	6	8.0						8.0	8.0	3.6	3.6		
1655 74	6	6	8.0						8.0	8.0	3.6	3.6		
1656 31	6	6	8.0						0.0	8.0	0.0	3.6		
1659 57	10	10	13.3						13.3	13.3	6.1	6.1		
1660 27	6	6	8.0						8.0	8.0	3.6	3.6		
1660 60	6	6	8.0						8.0	0.0	3.6	0.0		
1661 17	6	6	8.0						8.0	8.0	3.6	3.6		
1661 71	6	6	8.0						8.0	8.0	3.6	3.6		
1662 8	6	6	8.0						8.0	8.0	3.6	3.6		
1662 85	6	6	8.0						8.0	8.0	3.6	3.6		
1663 27	10	10	13.3						13.3	13.3	6.1	6.1		
1668 13	6	6	8.0						8.0	8.0	3.6	3.6		
1668 + 34									0.0	0.0	0.0	0.0		
1668 + 87									0.0	0.0	0.0	0.0		
1668 + 93	6	20	8.0					26.7	8.0	26.7	3.6	12.1		
1669 + 83	6	6	8.0						8.0	8.0	3.6	3.6		
1670 + 60	6	6	8.0						8.0	8.0	3.6	3.6		
1670 + 83	6	6	8.0						8.0	8.0	3.6	3.6		
1671 + 21	6	6	8.0						8.0	8.0	3.6	3.6		
1671 + 41	6	6	8.0						0.0	8.0	0.0	3.6		
1671 + 56	6	6	8.0						8.0	8.0	3.6	3.6		
1671 + 72	6	6	8.0						8.0	8.0	3.6	3.6		
1672 + 6	6	6	8.0						0.0	8.0	0.0	3.6		
1672 + 33	6	6	8.0						8.0	8.0	3.6	3.6		
1672 + 68	6	6	8.0						0.0	8.0	0.0	3.6		
1673 + 00	6	6	8.0						8.0	8.0	3.6	3.6		
1673 + 27	6	6	8.0						8.0	8.0	3.6	3.6		
1674 + 8	6	6	8.0						8.0	8.0	3.6	3.6		
1674 + 39	6	15	8.0			20.0			8.0	20.0	3.6	9.1		
1674 + 98	6	6	8.0						8.0	8.0	3.6	3.6		
1675 + 7	6	6	8.0						0.0	8.0	0.0	3.6		
1675 + 45	10	6	13.3						13.3	8.0	6.1	3.6		
1675 + 71	6	6	8.0						0.0	8.0	0.0	3.6		
1676 + 43	6	6	8.0						0.0	8.0	0.0	3.6		
1676 + 60		15				20.0			0.0	20.0	0.0	9.1		
1676 + 74	6	6	8.0						0.0	8.0	0.0	3.6		
1677 + 29	6	6	8.0						8.0	8.0	3.6	3.6		
1678 + 18	6	6	8.0						0.0	8.0	0.0	3.6		

12 FE

44200079

44200084

44200086

4400132

40602000

20028415

20028700

PARTIAL DEPTH PAVEMENT PATCHING SCHEDULE

FAP 17 (IL 64)  
 (110,111)RS-4  
 OGLE COUNTY  
 SHEET 25 OF 40

STATION	LENGTH OF		AREA OF PATCHES						BITUMINOUS REM		BITUMINOUS REPL		GEO. REINF	SUBGRADE GRANULAR REP.				
	PATCH		PAVT PATCHING TYPE II-7"		PAVT PATCHING TYPE III-7"		PAVT PATCHING TYPE IV-7"		OVER PATCHES 8"		OVER PATCHES							
	LT LANE (feet)	RT LANE (feet)	LT LANE	RT LANE	LT LANE	RT LANE	LT LANE	RT LANE	LT LANE	RT LANE	LT LANE	RT LANE			SQ YD	TON		
1331 + 68																		
1678 + 71		10																
1680 + 42	6	6	8.0	8.0						0.0	13.3	0.0	0.0	3.6	3.6			
1672 + 46	6	10	8.0	13.3						8.0	13.3	3.6	3.6	6.1	6.1			
1684 + 12	6	6	8.0	8.0						0.0	8.0	0.0	0.0	3.6	3.6			
1684 + 36	6	10	8.0	13.3						8.0	13.3	3.6	3.6	6.1	6.1			
1685 + 63		6		8.0						0.0	8.0	0.0	0.0	3.6	3.6			
1686 + 12		6		8.0						0.0	8.0	0.0	0.0	3.6	3.6			
1686 + 95		6		8.0						0.0	8.0	0.0	0.0	3.6	3.6			
1687 + 44		6		8.0						0.0	8.0	0.0	0.0	3.6	3.6			
1689 + 43		6		8.0						0.0	8.0	0.0	0.0	3.6	3.6			
1690 + 23	6	6	8.0	8.0						8.0	8.0	3.6	3.6	0.0	0.0			
1690 + 95	6	6	8.0	8.0						8.0	8.0	3.6	3.6	0.0	0.0			
1691 + 47		6		8.0						0.0	8.0	0.0	0.0	3.6	3.6			
1691 + 90		6		8.0						0.0	8.0	0.0	0.0	3.6	3.6			
1693 + 19	10	10	13.3	13.3						13.3	13.3	6.1	6.1	12.1	12.1			
1694 + 36		6		8.0						0.0	8.0	0.0	0.0	3.6	3.6			
1694 + 86	6	6	8.0	8.0						8.0	8.0	3.6	3.6	0.0	0.0			
1695 + 28	6	6	8.0	8.0						8.0	8.0	3.6	3.6	0.0	0.0			
1696 + 7		20								26.7	26.7	0.0	0.0	12.1	12.1			
1697 + 42		6		8.0						0.0	8.0	0.0	0.0	3.6	3.6			
1698 + 45	6	6	8.0	8.0						8.0	8.0	3.6	3.6	0.0	0.0			
1699 + 51	6	6	8.0	8.0						8.0	8.0	3.6	3.6	0.0	0.0			
1700 + 10	10	10	13.3	13.3						13.3	13.3	6.1	6.1	12.1	12.1			
1701 + 33	20	20								26.7	26.7	0.0	0.0	12.1	12.1			
1703 + 80	10	6	13.3	8.0						13.3	8.0	6.1	3.6	12.1	3.6			
1704 + 37		6		8.0						0.0	8.0	0.0	0.0	3.6	3.6			
1704 + 62		6		8.0						0.0	8.0	0.0	0.0	3.6	3.6			
1704 + 81		6		8.0						0.0	8.0	0.0	0.0	3.6	3.6			
1705 + 5	6	6	8.0	8.0						8.0	8.0	3.6	3.6	0.0	0.0			
1705 + 67		6		8.0						0.0	8.0	0.0	0.0	3.6	3.6			
1706 + 3	6	6	8.0	8.0						8.0	8.0	3.6	3.6	0.0	0.0			
1707 + 64	6	6	8.0	8.0						8.0	8.0	3.6	3.6	0.0	0.0			
1707 + 95	6	6	8.0	8.0						8.0	8.0	3.6	3.6	0.0	0.0			
1708 + 10	6	6	8.0	8.0						8.0	8.0	3.6	3.6	0.0	0.0			
1708 + 65										0.0	0.0	0.0	0.0	0.0	0.0			
1709 + 14										0.0	0.0	0.0	0.0	0.0	0.0			
1709 + 14										0.0	0.0	0.0	0.0	0.0	0.0			
1709 + 76		6		8.0						0.0	8.0	0.0	0.0	3.6	3.6			
1710 + 39	6	6	8.0	8.0						8.0	8.0	3.6	3.6	0.0	0.0			
1710 + 74		6		8.0						0.0	8.0	0.0	0.0	3.6	3.6			
1711 + 97	6	6	8.0	8.0						8.0	8.0	3.6	3.6	0.0	0.0			
1712 + 12		10		13.3						0.0	13.3	0.0	0.0	6.1	6.1			
1713 + 21	6	20	8.0							8.0	26.7	3.6	3.6	12.1	12.1			
1714 + 52	10	10	13.3	13.3						13.3	13.3	6.1	6.1	12.1	12.1			

12 FE

442000079

442000084

442000086

44000132

40502000

Z0028415

Z0028700

PARTIAL DEPTH PAVEMENT PATCHING SCHEDULE

FAP 17 (IL 64)  
 (110,111)RS-4  
 OGLE COUNTY  
 SHEET 26 OF 40

STATION	LENGTH OF		AREA OF PATCHES						BITUMINOUS REM		BITUMINOUS REPL		GEO. REINF	SUBGRADE GRANULAR REP.
	PATCH LT LANE (feet)	PATCH RT LANE (feet)	PAVT PATCHING TYPE II-7"		PAVT PATCHING TYPE III-7"		PAVT PATCHING TYPE IV-7"		OVER PATCHES 8"		OVER PATCHES			
			LT LANE SQ. YD.	RT LANE SQ. YD.	LT LANE SQ. YD.	RT LANE SQ. YD.	LT LANE SQ. YD.	RT LANE SQ. YD.	LT LANE SQ. YD.	RT LANE SQ. YD.	LT LANE TONS	RT LANE TONS		
1351 + 68														
1715 + 00	6	6	8.0	8.0					8.0	8.0	3.6	3.6		
1715 + 14	6	6	8.0	8.0					8.0	8.0	3.6	3.6		
1716 + 3	6	6	8.0	8.0					0.0	8.0	0.0	3.6		
1717 + 86	6	10	8.0	13.3					8.0	13.3	3.6	6.1		
1718 + 7		8	8.0	8.0					0.0	8.0	0.0	3.6		
1719 + 96	6	6	8.0	8.0					8.0	8.0	3.6	3.6		
1720 + 81									0.0	0.0	0.0	0.0		
1721 + 32		6		8.0					0.0	8.0	0.0	3.6		
1722 + 41									0.0	0.0	0.0	0.0		
1722 + 42	6	6	8.0	8.0					8.0	8.0	3.6	3.6		
1722 + 84	6	6	8.0	8.0					8.0	8.0	3.6	3.6		
1723 + 34	6	6	8.0	8.0					8.0	8.0	3.6	3.6		
1723 + 93	6	10	8.0	13.3					8.0	13.3	3.6	6.1		
1724 + 67	6	6	8.0	8.0					0.0	8.0	0.0	3.6		
1725 + 54									0.0	0.0	0.0	0.0		
1728 + 3	6	6	8.0	8.0					8.0	8.0	3.6	3.6		
1728 + 74	6	6	8.0	8.0					8.0	8.0	3.6	3.6		
1729 + 25	6	6	8.0	8.0					0.0	8.0	0.0	3.6		
1730 + 58	6	10	8.0	13.3					8.0	13.3	3.6	6.1		
1730 + 64									0.0	0.0	0.0	0.0		
1731 + 8	6	6	8.0	8.0					8.0	8.0	3.6	3.6		
1731 + 88	10	10	13.3	13.3					13.3	13.3	6.1	6.1		
1733 + 38	6	6	8.0	8.0					8.0	8.0	3.6	3.6		
1734 + 66	10	15	13.3	13.3		20.0			13.3	20.0	6.1	9.1		
1735 + 66	10	10	13.3	13.3					13.3	13.3	6.1	6.1		
1736 + 99		10		13.3					0.0	13.3	0.0	6.1		
1737 + 86	20	20	26.7	26.7					26.7	26.7	12.1	12.1		
1740 + 16	6	6	8.0	8.0					8.0	8.0	3.6	3.6		
1741 + 75	6	6	8.0	8.0					8.0	8.0	3.6	3.6		
1742 + 55		6		8.0					0.0	8.0	0.0	3.6		
1743 + 59	10	10	13.3	13.3					0.0	13.3	0.0	6.1		
1744 + 14		6		8.0					0.0	8.0	0.0	3.6		
1747 + 00		6		8.0					0.0	8.0	0.0	3.6		
1748 + 33	6	6	8.0	8.0					8.0	8.0	3.6	3.6		
1750 + 40	6	6	8.0	8.0					8.0	8.0	3.6	3.6		
1751 + 20	6	10	8.0	13.3					8.0	13.3	3.6	6.1		
1753 + 4	6	6	8.0	8.0					8.0	8.0	3.6	3.6		
1753 + 78	6	6	8.0	8.0					8.0	8.0	3.6	3.6		
1754 + 93	6	6	8.0	8.0					8.0	8.0	3.6	3.6		
1756 + 25	10	10	13.3	13.3					13.3	13.3	6.1	6.1		
1758 + 35	6	10	8.0	13.3					0.0	13.3	0.0	6.1		
1760 + 11	6	6	8.0	8.0					8.0	8.0	3.6	3.6		
1760 + 78	6	6	8.0	8.0					8.0	8.0	3.6	3.6		
1761 + 67	10	10	13.3	13.3					13.3	13.3	6.1	6.1		

12 FE

442000079

442000084

442000086

44000132

40602000

Z0028415

Z0028700



PARTIAL DEPTH PAVEMENT PATCHING SCHEDULE

FAP 17 (IL 64)  
 (110,117)RS-4  
 OGLE COUNTY  
 SHEET 27 OF 40

STATION	LENGTH OF PATCH		AREA OF PATCHES						BITUMINOUS REM		BITUMINOUS REPL		GEO. REINF	SUBGRADE GRANULAR REP.			
	LT LANE (feet)	RT LANE (feet)	PAVT PATCHING TYPE II-7"		PAVT PATCHING TYPE III-7"		PAVT PATCHING TYPE IV-7"		LT LANE SQ. YD.	RT LANE SQ. YD.	LT LANE SQ. YD.	RT LANE SQ. YD.			LT LANE TONS	RT LANE TONS	
			LT LANE SQ. YD.	RT LANE SQ. YD.	LT LANE SQ. YD.	RT LANE SQ. YD.	LT LANE SQ. YD.	RT LANE SQ. YD.									
1361 + 68																	
1762 + 93	10	15	13.3				20.0			13.3	20.0	6.1	9.1				
1765 + 51	6	6	8.0						8.0	8.0	8.0	3.6	3.6				
1766 + 91		10							13.3	13.3	0.0	6.1	6.1				
1768 + 16									0.0	0.0	0.0	0.0	0.0				
1768 + 23									0.0	0.0	0.0	0.0	0.0				
1769 + 14		30							40.0	40.0	0.0	18.2	18.2				
1770 + 28	10	10	13.3						13.3	13.3	6.1	6.1	6.1				
1771 + 14		6							8.0	8.0	0.0	3.6	3.6				
1771 + 68	6		8.0						8.0	8.0	0.0	3.6	3.6				
0 + 00									0.0	0.0	0.0	0.0	0.0				
<b>TOTALS</b>			1999	2236	140	120	307	253	2445	5055	2609	1114	1189	0	0		
FULL DEPTH PAVEMENT PATCHING.			200	224	14	12	31	25					2303	493			169

PAVEMENT PATCHES SHALL MAKE 10% OF TOTAL MARKED PATCHES.  
 THE RESIDENT ENGINEER WILL DETERMINE THE LOCATION OF FULL DEPTH PAVEMENT PATCHING.

12 EE 442000079 442000084 442000086 44000132 40602000 Z0028415 Z0028700

# PROJECT STATIONING

NOT TO SCALE

F.A.P. RTE.	SECTION	COUNTY	TOTAL SHEETS	SHEET NO.
17		OGLE	40	28
STA.	TO STA.		ILLINOIS FED. AID PROJECT	
FED. ROAD DIST. NO.	CONTRACT #		64B86	
(110, 111) RS-4				



REVISIONS		ILLINOIS DEPARTMENT OF TRANSPORTATION	
NO.	DATE	SCALE	DATE

DRAWN BY  
CHECKED BY

PROJECT STATIONING



# PROJECT STRIPING DETAILS

NOT TO SCALE

F.A.P. RITE.	SECTION	COUNTY	TOTAL SHEET SHEETS	NO.
.17		OGLE	40	30
STA. TO STA.		ILLINOIS FED. AID PROJECT		
FED. ROAD DIST. NO.		CONTRACT # 64886		
• (110, 111) RS-4				

STA. 1372+14

SOLID LT SKIP DASH RT

STA. 1364+33

SOLID

STA. 1357+57

SOLID RT SKIP DASH LT

JOB BEGINS  
STA. 1351+38  
CHANA ROAD  
STA. 1351+68

IL ROUTE 64

STA. 1394+70

SOLID

STA. 1386+64

SOLID RT SKIP DASH LT

STA. 1376+91

SKIP DASH

REVISIONS		SCALE: VERT. HORIZ.		DATE	DRAWN BY	CHECKED BY

ILLINOIS DEPARTMENT OF TRANSPORTATION

**PROJECT STATIONING**

PLT DATE: MONTH  
FILE NAME: #1711  
PLOT SCALE: 1"=50'  
USER NAME: #2528







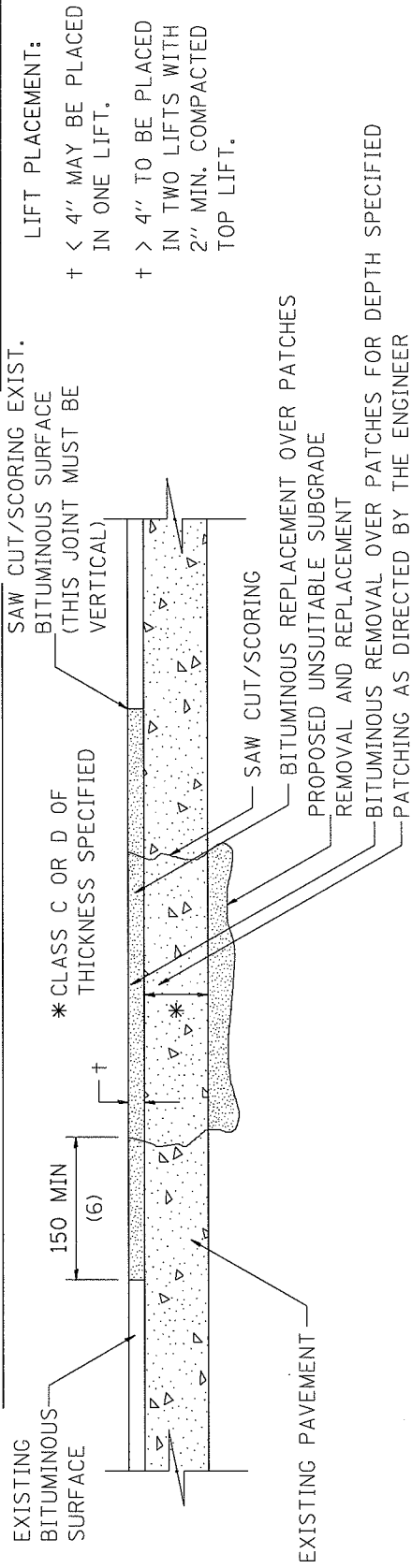




64886

F. A. RFE.	SECTION	COUNTY	TOTAL SHEETS	SHEET NO.
17	(110, 111) 094	094	40	35
STA.	TO STA.		ILLINOIS	
FED. ROAD DIST. NO.		FED. AID PROJECT		

# PAVEMENT PATCHING FOR BITUMINOUS SURFACED PAVEMENT



**SEQUENCE OF CONSTRUCTION:**

1. REMOVE THE EXISTING BITUMINOUS SURFACE.
2. RESIDENT ENGINEER WILL DETERMINE IF LOCATION IS TO BE PATCHED OR TO ONLY REPLACE BITUMINOUS SURFACE.
3. REMOVE AND REPLACE FULL DEPTH PATCHES AT LOCATIONS DIRECTED BY THE ENGINEER.
4. REPLACE BITUMINOUS SURFACE OVER FULL DEPTH PATCHES AND AT LOCATIONS OF BITUMINOUS SURFACE REMOVAL.

**GENERAL NOTES:**

1. THE WIDTH OF THE FULL DEPTH PATCH OVER A TRENCH SHALL BE 300 (12) WIDER ON EACH SIDE OF THE TRENCH.
2. FOR BASIS OF PAYMENT: SEE SPECIAL PROVISION "PATCHING WITH BITUMINOUS OVERLAY REMOVAL".

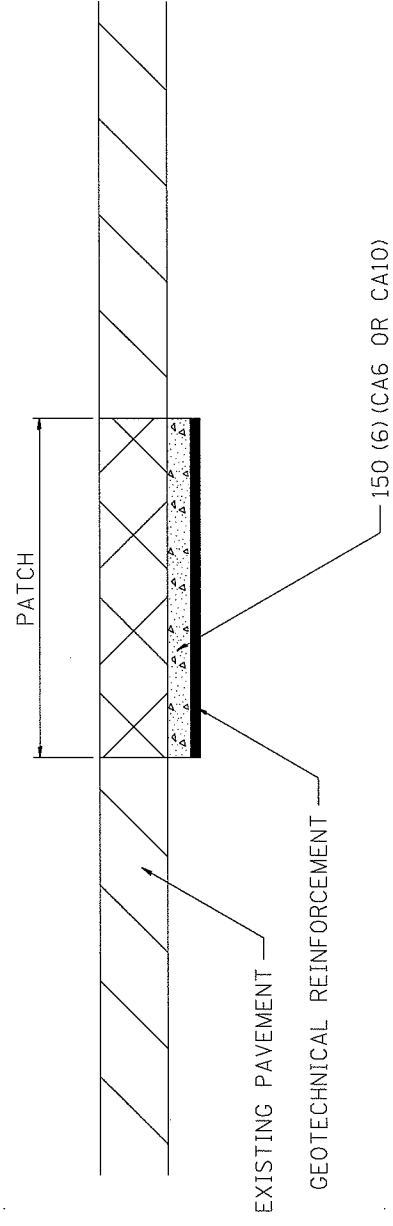
•DATE-TIME  
•DON-SPEC  
•REF  
•REF  
•REF  
•REF

ALL DIMENSIONS ARE IN MILLIMETERS (INCHES) UNLESS OTHERWISE NOTED

64886

F. A. RTE.	SECTION	COUNTY	TOTAL SHEETS	SHEET NO
17	(110, 117) 13-4	0912	40	36
STA. _____		TO STA. _____		FED. AID PROJECT _____
FED. ROAD DIST. NO. _____ ILLINOIS _____				

# SUBGRADE REPLACEMENT



### NOTES:

The Engineer will determine which patches will require Subgrade Replacement, generally when the  $Q_u$  of the Subgrade  $< 0.3TSF$  or if patch density is questionable.

UNSTABLE SUBGRADE MATERIAL SHALL BE REMOVED AND DISPOSED OF BY THE CONTRACTOR.

This work will be paid for at the contract unit price per  $m^3$  (CU. YD.) for GRANULAR SUBGRADE REPLACEMENT and per  $m^2$  (SQ. YD.) for GEOTECHNICAL REINFORCEMENT.

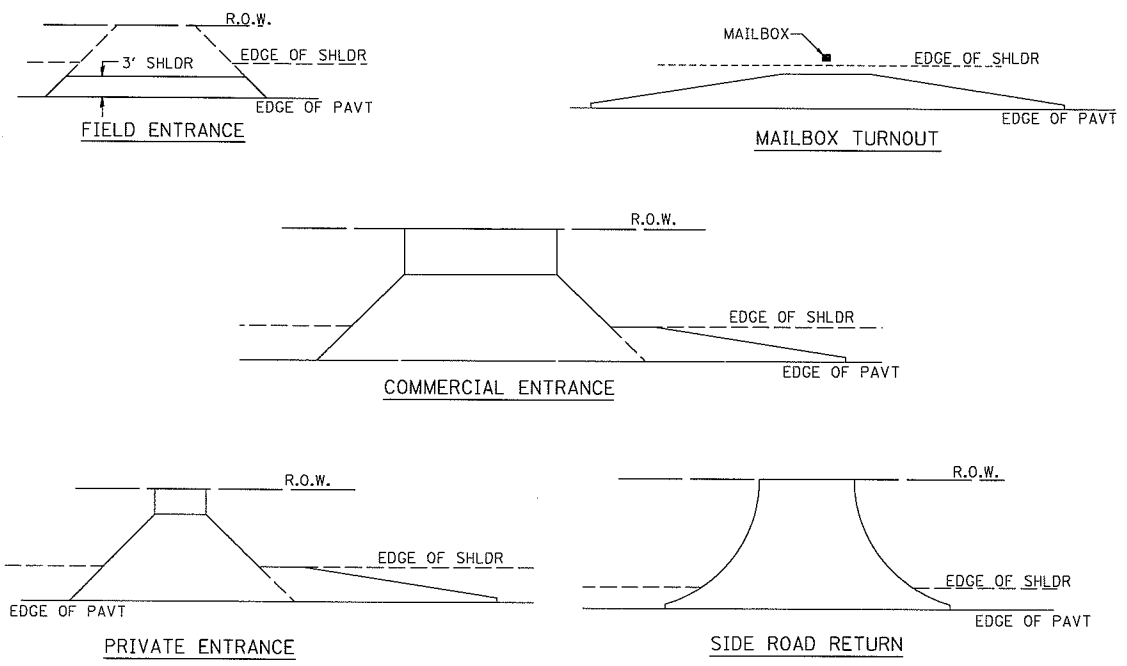
ALL DIMENSIONS ARE IN MILLIMETERS (INCHES) UNLESS OTHERWISE NOTED.

•DATE-TIME  
•DON-SPEC  
•REF  
•REF  
•REF  
•REF

64886

# BITUMINOUS APPROACHES & MAILBOX RETURNS FOR SINGLE LIFT (SMART) RESURFACING PROJECTS

F. A. DIST.	SECTION	COUNTY	TOTAL SHEETS	SHEET NO.
	17 (110.111)05-4	OSK	40	37
STA.		TO STA.		
FED. ROAD DIST. NO. 7	ILLINOIS	FED. AID PROJECT		

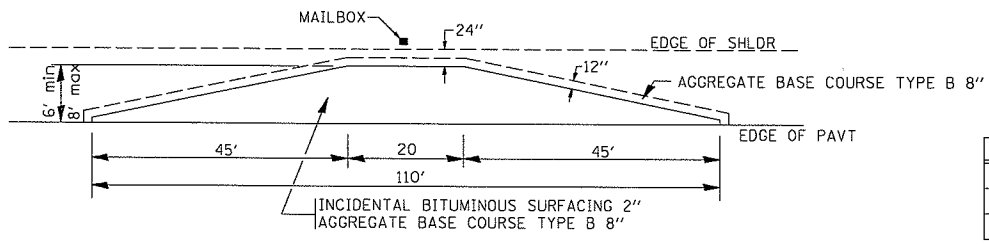


**NOTE:** EXISTING BIT PE's, CE's, SR's, & MB TURNOUTS  
Place 1 1/2" Incidental Bituminous Surfacing on entrance to conform to the existing configuration.

EXISTING AGG. PE's & CE's  
Place 2" Incidental Bituminous Surfacing on existing entrance to conform to the present configuration.

EXISTING AGG. SIDEROADS  
Place 3" Incidental Bituminous Surfacing on sideroad to conform to the present configuration.

EXISTING AGG. MAILBOX TURNOUTS  
Existing Agg. Mailbox Turnouts shall be constructed as shown below.



	6'	8'
AGG BASE CSE T-B (TON)	24.5	31.1
INC BIT SURF 2" (TON)	5.8	7.8
BIT PRIME COAT (TON)	0.06	0.08

DATE TIME  
DRAWN BY  
CHECKED BY  
APP. BY

64886

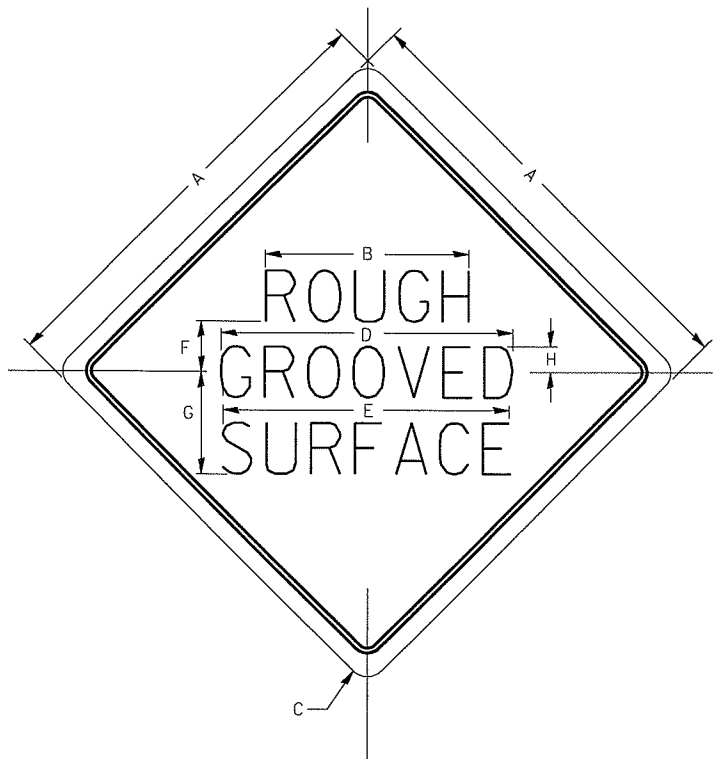
# ROUGH GROOVED SURFACE SIGN

F.A. DIST.	SECTION	COUNTY	TOTAL SHEETS	SHEET NO.
17	*	0912	40	38
STA.		TO STA.		
FED. ROAD DIST. NO. 1		ILLINOIS	FED. AID PROJECT	

(110,111) 25-4)

ILLINOIS STANDARD W8-I107

SIGN PANEL TYPE 1



COLOR: LEGEND AND BORDER - BLACK NON-REFLECTIVE  
BACKGROUND - ORANGE REFLECTORIZED

### GENERAL NOTES

SIGN PANELS AND FACE MATERIALS SHALL BE ACCORDING TO SECTION 720 OF THE STANDARD SPECIFICATIONS

METAL POSTS SHALL BE IN ACCORDANCE WITH STD. 720011.

ALL MOUNTING HARDWARE SHALL BE ALUMINUM, STAINLESS STEEL, ZINC OR CADMIUM PLATED STEEL AND SHALL BE INCIDENTAL TO THE COST OF THE INSTALLATION.

ALL DIMENSIONS ARE IN MILLIMETERS (INCHES) UNLESS OTHERWISE NOTED.

SIGN SIZE	DIMENSIONS							
	A	B	C	D	E	F	G	H
1200x1200 (48x48)	1200 (48.0)	600 (24.1)	75 (3.0)	850 (34.0)	825 (33.0)	150 (6.0)	325 (13.0)	88 (3.5)

SIGN SIZE	SERIES			MARGIN	BORDER	BLANK STD.
	LINES					
	1	2	3			
1200x1200 (48x48)	7C	7C	7C	20 (0.8)	30 (1.2)	B4-48D

ALL DIMENSIONS IN INCHES.

DATE-TIME-  
OR-SPEC-  
REF-  
REF-  
REF-  
REF-

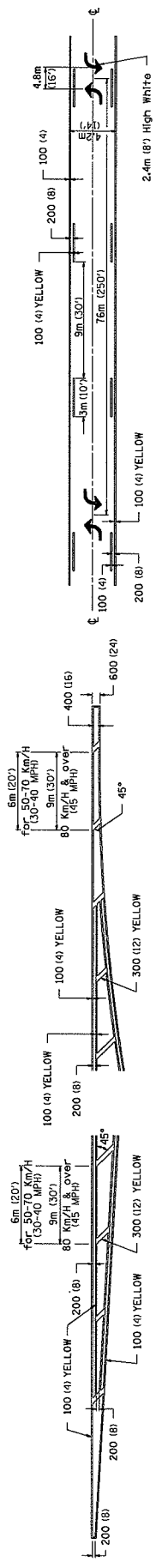
64856

SECTION	DATE	BY
NO. 1	5/10/81	PS-4
NO. 2		
NO. 3		
NO. 4		
NO. 5		
NO. 6		
NO. 7		
NO. 8		
NO. 9		
NO. 10		

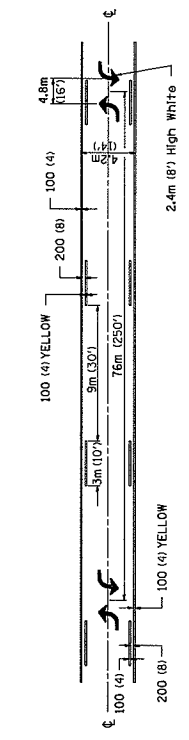
PROJECT NO. 64856

# TYPICAL PAVEMENT MARKINGS

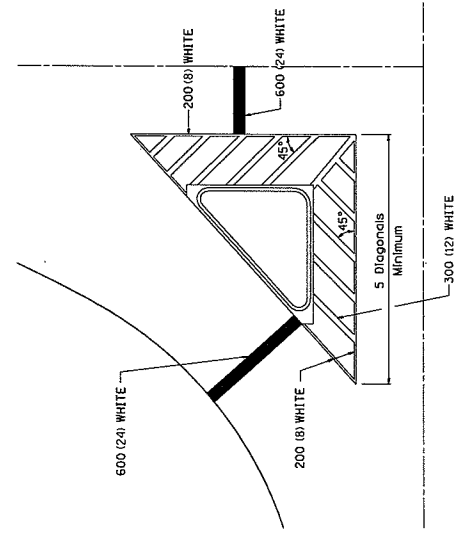
## TYPICAL PAVEMENT MARKING FOR FLUSH MEDIAN



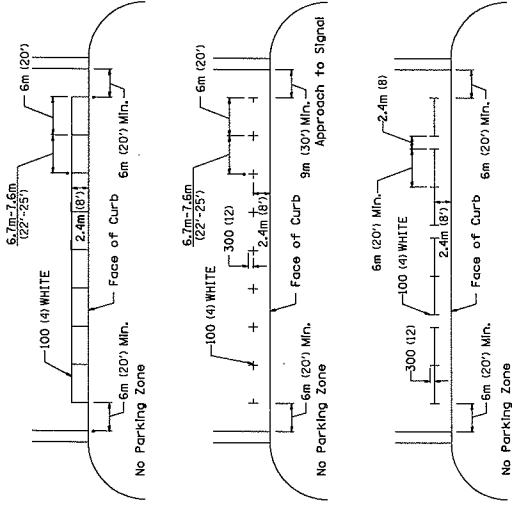
## MEDIAN PAVEMENT MARKING



## TYPICAL ISLAND OFFSET SHOULDER WIDTH

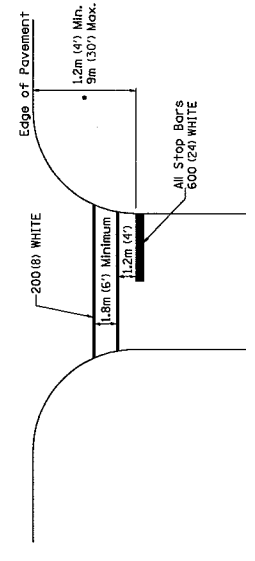


## TYPICAL PARKING SPACING



## STANDARD CROSSWALK MARKING

See Schedules for Locations



- Distance to the nearest edge of the intersecting roadway in the absence of a marked crosswalk.

• ALL DIMENSIONS ARE IN MILLIMETERS (INCHES) UNLESS OTHERWISE NOTED.

DESIGNED BY: DRAWN BY: CHECKED BY:

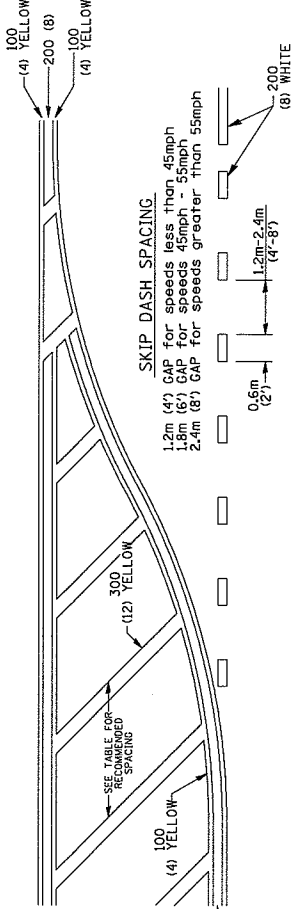
64886

SECTION	COUNTY	DATE
NO. 1111	ES-4	50-30

(110,111) ES-4

# TYPICAL PAVEMENT MARKINGS

## TYPICAL PAVEMENT MARKING FOR FLUSH MEDIAN



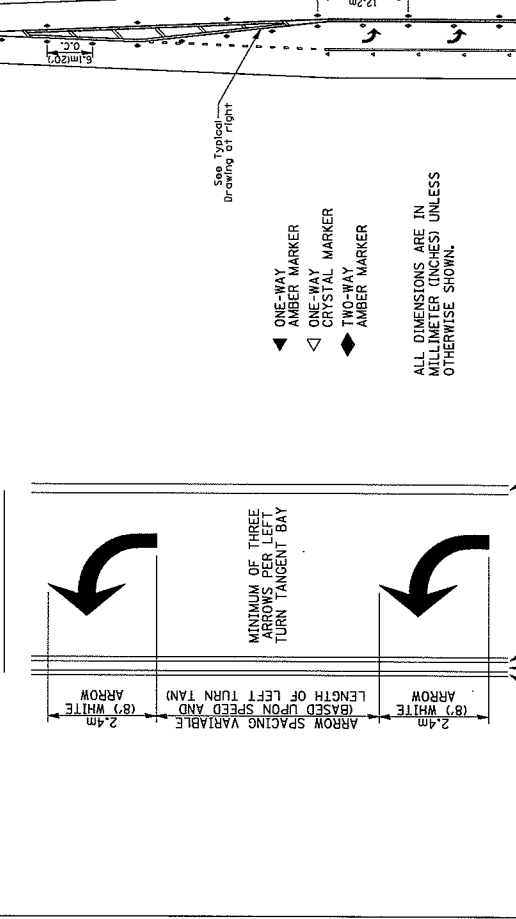
**SKIP DASH SPACING**  
 1.2m (4') GAP for speeds less than 45mph  
 1.8m (6') GAP for speeds 45mph - 55mph  
 2.4m (8') GAP for speeds greater than 55mph

## RECOMMENDED SPACING BETWEEN DIAGONALS (IN FEET)

Speed Limit Range	Continuous Median Area	Intersection Channelization	Objects (Islands)
less than 50km/h(30MPH)	15.3m (50')	4.53m (15')	3.05m (10')
50-60km/h(30-40MPH)	22.9m (75')	6.1m (20')	4.53m (15')
70km/h(45MPH) & over	22.9m (75')	9.05m (30')	6.1m (20')

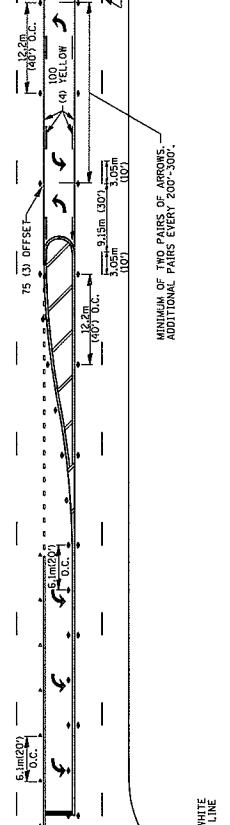
NOTE: If the spacing recommended in the Table does not permit of at least five diagonal lines in the area being marked, the spacing from the center line to the edge of the pavement shall be the recommended spacing is measured parallel to the pavement center line.

## ARROW LAYOUT

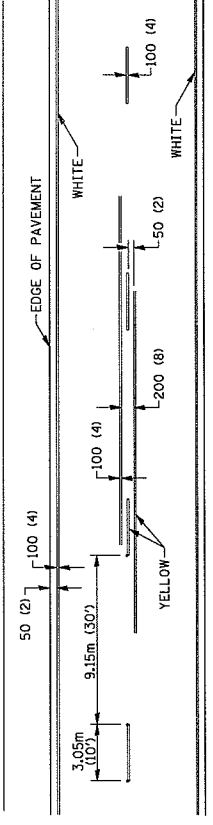


- ◀ ONE-WAY AMBER MARKER
- ◁ ONE-WAY CRYSTAL MARKER
- ◆ TWO-WAY AMBER MARKER

ALL DIMENSIONS ARE IN MILLIMETER (INCHES) UNLESS OTHERWISE SHOWN.



## TYPICAL PAVEMENT MARKING FOR TWO LANE SECTION - NO PASSING ZONES



- \* REDUCE TO 12.2m (40') O.C. ON CURVES WHERE ADVISORY SPEEDS ARE 15km/h (10MPH) LOWER THAN POSTED SPEEDS.
- \*\* USE DOUBLE MARKERS WHEN ADT ≥ 25,000

## MULTI-LANE / UNDIVIDED

## ILLINOIS DEPARTMENT OF LABOR

### PREVAILING WAGES FOR OGLE COUNTY EFFECTIVE APRIL 2006

The Prevailing rates of wages are included in the Contract proposals which are subject to Check Sheet #5 of the Supplemental Specifications and Recurring Special Provisions. The rates have been ascertained and certified by the Illinois Department of Labor for the locality in which the work is to be performed and for each craft or type of work or mechanic needed to execute the work of the Contract. As required by Prevailing Wage Act (820 ILCS 130/0.01, et seq.) and Check Sheet #5 of the Contract, not less than the rates of wages ascertained by the Illinois Department of Labor and as revised during the performance of a Contract shall be paid to all laborers, workers and mechanics performing work under the Contract. Post the scale of wages in a prominent and easily accessible place at the site of work.

If the Illinois Department of Labor revises the prevailing rates of wages to be paid as listed in the specification of rates, the contractor shall post the revised rates of wages and shall pay not less than the revised rates of wages. Current wage rate information shall be obtained by visiting the Illinois Department of Labor web site at <http://www.state.il.us/agency/idol/> or by calling 312-793-2814. It is the responsibility of the contractor to review the rates applicable to the work of the contract at regular intervals in order to insure the timely payment of current rates. Provision of this information to the contractor by means of the Illinois Department of Labor web site satisfies the notification of revisions by the Department to the contractor pursuant to the Act, and the contractor agrees that no additional notice is required. The contractor shall notify each of its subcontractors of the revised rates of wages.

# Ogle County Prevailing Wage for April 2006

Trade Name	RG	TYP	C	Base	FRMAN	*M-F>8	OSA	OSH	H/W	Pensn	Vac	Trng
=====	==	==	=	=====	=====	=====	==	==	=====	=====	=====	=====
ASBESTOS ABT-GEN		BLD		22.830	23.830	1.5	1.5	2.0	5.700	7.950	0.000	0.600
ASBESTOS ABT-MEC		BLD		18.950	0.000	1.5	1.5	2.0	2.700	3.350	0.000	0.000
BOILERMAKER		BLD		28.970	31.970	2.0	2.0	2.0	8.020	6.600	0.000	0.210
BRICK MASON		BLD		29.000	31.500	1.5	1.5	2.0	5.150	7.720	0.000	0.390
CARPENTER		HWY		26.440	28.190	1.5	1.5	2.0	6.300	6.500	0.000	0.400
CARPENTER	N	BLD		28.230	31.340	1.5	1.5	2.0	5.150	7.450	0.000	0.600
CARPENTER	S	BLD		26.040	28.900	1.5	1.5	2.0	6.100	6.870	0.000	0.600
CEMENT MASON		ALL		28.500	31.000	1.5	1.5	2.0	5.150	7.080	0.000	0.050
CERAMIC TILE FNSHER		BLD		23.450	0.000	1.5	1.5	2.0	5.150	4.000	0.000	0.320
COMMUNICATION TECH		BLD		27.000	29.000	1.5	1.5	2.0	7.850	8.290	0.000	0.410
ELECTRIC PWR EQMT OP		ALL		26.940	34.540	1.5	1.5	2.0	3.750	7.440	0.000	0.130
ELECTRIC PWR GRNDMAN		ALL		20.970	34.540	1.5	1.5	2.0	3.750	5.760	0.000	0.100
ELECTRIC PWR LINEMAN		ALL		31.980	34.540	1.5	1.5	2.0	3.750	8.850	0.000	0.160
ELECTRIC PWR TRK DRV		ALL		21.640	34.540	1.5	1.5	2.0	3.750	5.950	0.000	0.110
ELECTRICIAN		BLD		32.500	35.750	1.5	1.5	2.0	7.850	10.12	0.000	0.650
ELEVATOR CONSTRUCTOR		BLD		37.320	41.985	2.0	2.0	2.0	7.775	5.090	2.240	0.000
GLAZIER		BLD		27.180	28.180	1.5	1.5	2.0	5.150	5.250	0.000	0.300
HT/FROST INSULATOR		BLD		28.430	30.560	1.5	1.5	2.0	5.700	8.120	0.000	0.000
IRON WORKER		ALL		30.660	32.190	2.0	2.0	2.0	6.650	14.32	0.000	0.550
LABORER		BLD		22.830	23.830	1.5	1.5	2.0	5.700	7.950	0.000	0.600
LABORER		HWY		22.380	23.130	1.5	1.5	2.0	5.700	7.550	0.000	0.600
LABORER, SKILLED		HWY		23.630	24.380	1.5	1.5	2.0	5.700	7.550	0.000	0.600
LATHER	N	BLD		28.230	31.340	1.5	1.5	2.0	5.150	7.450	0.000	0.600
LATHER	S	BLD		26.040	28.900	1.5	1.5	2.0	6.100	6.870	0.000	0.600
MACHINIST		BLD		35.630	37.630	2.0	2.0	2.0	3.880	4.750	2.460	0.000
MARBLE FINISHERS		BLD		23.450	0.000	1.5	1.5	2.0	5.150	4.000	0.000	0.320
MARBLE MASON		BLD		26.530	26.780	1.5	1.5	2.0	5.150	5.220	0.000	0.350
MILLWRIGHT		BLD		32.150	35.370	1.5	1.5	2.0	5.150	9.450	0.000	0.560
OPERATING ENGINEER		BLD	1	35.750	39.750	2.0	2.0	2.0	6.150	5.650	1.800	0.600
OPERATING ENGINEER		BLD	2	35.050	39.750	2.0	2.0	2.0	6.150	5.650	1.800	0.600
OPERATING ENGINEER		BLD	3	32.600	39.750	2.0	2.0	2.0	6.150	5.650	1.800	0.600
OPERATING ENGINEER		BLD	4	30.600	39.750	2.0	2.0	2.0	6.150	5.650	1.800	0.600
OPERATING ENGINEER		HWY	1	35.600	39.600	1.5	1.5	2.0	6.150	5.650	1.800	0.600
OPERATING ENGINEER		HWY	2	35.050	39.600	1.5	1.5	2.0	6.150	5.650	1.800	0.600
OPERATING ENGINEER		HWY	3	33.750	39.600	1.5	1.5	2.0	6.150	5.650	1.800	0.600
OPERATING ENGINEER		HWY	4	32.300	39.600	1.5	1.5	2.0	6.150	5.650	1.800	0.600
OPERATING ENGINEER		HWY	5	30.850	39.600	1.5	1.5	2.0	6.150	5.650	1.800	0.600
PAINTER		ALL		28.950	29.950	1.5	1.5	1.5	5.150	5.000	0.000	0.250
PILEDRIVER		HWY		26.440	28.190	1.5	1.5	2.0	6.300	6.500	0.000	0.400
PILEDRIVER	N	BLD		29.230	32.450	1.5	1.5	2.0	5.150	7.450	0.000	0.600
PILEDRIVER	S	BLD		27.040	30.010	1.5	1.5	2.0	6.100	6.870	0.000	0.600
PIPEFITTER		BLD		32.700	34.990	1.5	1.5	2.0	5.930	6.630	0.000	0.630
PLASTERER		BLD		28.190	31.010	2.0	2.0	2.0	5.150	7.000	0.000	0.050
PLUMBER		BLD		32.700	34.990	1.5	1.5	2.0	5.930	6.630	0.000	0.630
ROOFER		BLD		32.800	34.800	1.5	1.5	2.0	5.930	3.140	0.000	0.330
SHEETMETAL WORKER		BLD		30.690	32.620	1.5	1.5	2.0	4.600	9.690	0.520	0.290
SPRINKLER FITTER		BLD		31.240	33.240	1.5	1.5	2.0	6.500	5.350	0.000	0.250
STONE MASON		BLD		29.000	31.500	1.5	1.5	2.0	5.150	7.720	0.000	0.390
TERRAZZO FINISHER		BLD		23.450	0.000	1.5	1.5	2.0	5.150	4.000	0.000	0.320
TERRAZZO MASON		BLD		26.530	26.780	1.5	1.5	2.0	5.150	5.220	0.000	0.350
TILE LAYER	N	BLD		28.230	31.340	1.5	1.5	2.0	5.150	7.450	0.000	0.600
TILE LAYER	S	BLD		26.040	28.900	1.5	1.5	2.0	6.100	6.870	0.000	0.600
TILE MASON		BLD		26.530	26.780	1.5	1.5	2.0	5.150	5.220	0.000	0.350
TRUCK DRIVER		O&C	1	19.804	0.000	1.5	1.5	2.0	7.000	3.100	0.000	0.000
TRUCK DRIVER		O&C	2	20.124	0.000	1.5	1.5	2.0	7.000	3.100	0.000	0.000
TRUCK DRIVER		O&C	3	20.284	0.000	1.5	1.5	2.0	7.000	3.100	0.000	0.000
TRUCK DRIVER		O&C	4	20.484	0.000	1.5	1.5	2.0	7.000	3.100	0.000	0.000
TRUCK DRIVER		O&C	5	21.084	0.000	1.5	1.5	2.0	7.000	3.100	0.000	0.000



TRUCK DRIVER	E	ALL	1	28.700	29.250	1.5	1.5	2.0	5.900	3.300	0.000	0.000
TRUCK DRIVER	E	ALL	2	28.850	29.250	1.5	1.5	2.0	5.900	3.300	0.000	0.000
TRUCK DRIVER	E	ALL	3	29.050	29.250	1.5	1.5	2.0	5.900	3.300	0.000	0.000
TRUCK DRIVER	E	ALL	4	29.250	29.250	1.5	1.5	2.0	5.900	3.300	0.000	0.000
TRUCK DRIVER	N	ALL	1	25.880	26.430	1.5	1.5	2.0	5.150	6.500	0.000	0.000
TRUCK DRIVER	N	ALL	2	26.030	26.430	1.5	1.5	2.0	5.150	6.500	0.000	0.000
TRUCK DRIVER	N	ALL	3	26.230	26.430	1.5	1.5	2.0	5.150	6.500	0.000	0.000
TRUCK DRIVER	N	ALL	4	26.430	26.430	1.5	1.5	2.0	5.150	6.500	0.000	0.000
TRUCK DRIVER	S	ALL	1	24.755	0.000	1.5	1.5	2.0	7.000	3.100	0.000	0.000
TRUCK DRIVER	S	ALL	2	25.155	0.000	1.5	1.5	2.0	7.000	3.100	0.000	0.000
TRUCK DRIVER	S	ALL	3	25.355	0.000	1.5	1.5	2.0	7.000	3.100	0.000	0.000
TRUCK DRIVER	S	ALL	4	25.605	0.000	1.5	1.5	2.0	7.000	3.100	0.000	0.000
TRUCK DRIVER	S	ALL	5	26.355	0.000	1.5	1.5	2.0	7.000	3.100	0.000	0.000
TUCKPOINTER		BLD		29.000	31.500	1.5	1.5	2.0	5.150	7.720	0.000	0.390

Legend:

M-F>8 (Overtime is required for any hour greater than 8 worked each day, Monday through Friday.)

OSA (Overtime is required for every hour worked on Saturday)

OSH (Overtime is required for every hour worked on Sunday and Holidays)

H/W (Health & Welfare Insurance)

Pensn (Pension)

Vac (Vacation)

Trng (Training)

## Explanations

### OGLE COUNTY

CARPENTER, LATHER, MILLWRIGHT, PILEDRIIVER AND TILE LAYER (NORTH) - That part of Ogle County East from the Winnebago County western boundary and North of an imaginary line running east and west located 4 miles north of the City of Oregon.

TRUCK DRIVER (EAST) - That part of the county East of Rt. 251, including all portions of the city of Rochelle, and South of Rt. 72.

TRUCK DRIVER (SOUTH) - That part of the county West of Rt. 251 and South of Rt. 72.

TRUCK DRIVER (NORTH) - That part of the county North of Route 72.

The following list is considered as those days for which holiday rates of wages for work performed apply:

New Years Day, Memorial/Decoration Day, Fourth of July, Labor Day, Veterans Day, Thanksgiving Day, Christmas Day. Generally, any of these holidays which fall on a Sunday is celebrated on the following Monday. This then makes work performed on that Monday payable at the appropriate overtime rate for holiday pay. Common practice in a given local may alter certain days of celebration such as the day after Thanksgiving for Veterans Day. If in doubt, please check with IDOL.

Oil and chip resealing (O&C) means the application of road oils and liquid asphalt to coat an existing road surface, followed by application of aggregate chips or gravel to coated surface, and subsequent rolling of material to seal the surface.

#### EXPLANATION OF CLASSES

ASBESTOS - GENERAL - removal of asbestos material/mold and hazardous materials from any place in a building, including mechanical systems where those mechanical systems are to be removed. This includes the removal of asbestos materials/mold and hazardous materials from ductwork or pipes in a building when the building is to be demolished at the time or at some close future date.

ASBESTOS - MECHANICAL - removal of asbestos material from mechanical systems, such as pipes, ducts, and boilers, where the mechanical systems are to remain.

#### CERAMIC TILE FINISHER, MARBLE FINISHER, TERRAZZO FINISHER

Assisting, helping or supporting the tile, marble and terrazzo mechanic by performing their historic and traditional work assignments required to complete the proper installation of the work covered by said crafts. The term "Ceramic" is used for naming the classification only and is in no way a limitation of the product handled. Ceramic takes into consideration most hard tiles.

#### COMMUNICATIONS TECHNICIAN

Installing, manufacturing, assembling and maintaining sound and intercom, protection alarm (security), fire alarm, master antenna television, closed circuit television, low voltage control for computers and/or door monitoring, school communications systems, telephones and servicing of nurse and emergency calls, and the installation and maintenance of transmit and receive antennas, transmitters, receivers, and associated apparatus which operates in conjunction with above systems. All work associated with these system installations will be included EXCEPT the installation of protective metallic conduit in new construction projects (excluding less than ten-foot runs strictly for protection of cable) and 120 volt AC (or higher) power wiring and associated hardware.

#### LABORER, SKILLED - HIGHWAY

Individuals engaged in the following types of work, irrespective of the site of the work: asbestos abatement worker, handling of any materials with any foreign matter harmful to skin or clothing, track laborer, cement handlers, chloride handlers, the unloading and loading with steel workers and re-bars, concrete workers wet, tunnel helpers in free air, batch dumpers, mason tenders, kettle and tar men, tank cleaners, plastic installers, scaffold workers, motorized buggies or motorized unit used for wet concrete or handling of building materials, laborers with de-watering systems, sewer workers plus depth, rod and chainmen with technical engineers, rod and chainmen with land surveyors, rod and chainmen with surveyors, vibrator operators, cement silica, clay, fly ash, lime and plasters, handlers (bulk or bag), cofferdam workers plus depth, on concrete paving, placing, cutting and tying of reinforcing, deck hand, dredge hand, and shore laborers, bankmen on floating plant, grade checker, power tools, front end man on chip spreaders, cession workers plus depth, gunnite nozzle men, lead man on sewer work, welders, cutters, burners and torchmen, chainsaw operators, jackhammer and drill operators, layout man and/or drainage tile layer, steel form setter - street and

highway, air tamping hammermen, signal man on crane, concrete saw operator, screedman on asphalt pavers, laborers tending masons with hot material or where foreign materials are used, mortar mixer operators, multiple concrete duct - leadsman, lumen, asphalt raker, curb asphalt machine operator, ready mix scalemen (permanent, portable or temporary plant), laborers handling masterplate or similar materials, laser beam operator, concrete burning machine operator, coring machine operator, plaster tender, underpinning and shoring of buildings, pump men, manhole and catch basin, dirt and stone tamper, hose men on concrete pumps, hazardous waste worker, lead base paint abatement worker, lining of pipe, refusing machine, assisting on direct boring machine, the work of laying watermain, fire hydrants, all mechanical joints to watermain work, sewer worker, and tapping water service and forced lift station mechanical worker.

#### TRUCK DRIVER - BUILDING, HEAVY AND HIGHWAY CONSTRUCTION - SOUTH

Class 1. Drivers on 2 axle trucks hauling less than 9 ton. Air compressor and welding machines and brooms, including those pulled by separate units, truck driver helpers, warehouse employees, mechanic helpers, greasers and tiremen, pickup trucks when hauling materials, tools, or workers to and from and on-the-job site, and fork lifts up to 6,000 lb. capacity.

Class 2. Two or three axle trucks hauling more than 9 ton but hauling less than 16 ton. A-frame winch trucks, hydrolift trucks, vector trucks or similar equipment when used for transportation purposes. Fork lifts over 6,000 lb. capacity, winch trucks, four axle combination units, and ticket writers.

Class 3. Two, three or four axle trucks hauling 16 ton or more. Drivers on water pulls, articulated dump trucks, mechanics and working forepersons, and dispatchers. Five axle or more combination units.

Class 4. Low Boy and Oil Distributors.

Class 5. Drivers who require special protective clothing while employed on hazardous waste work.

#### TRUCK DRIVER - OIL AND CHIP RESEALING ONLY.

This shall encompass laborers, workers and mechanics who drive contractor or subcontractor owned, leased, or hired pickup, dump, service, or oil distributor trucks. The work includes transporting materials and equipment (including but not limited to, oils, aggregate supplies, parts, machinery and tools) to or from the job site; distributing oil or liquid asphalt and aggregate; stock piling material when in connection with the actual oil and chip contract. The Truck Driver (Oil & Chip Resealing) wage classification does not include supplier delivered materials.

#### TRUCK DRIVER - BUILDING, HEAVY AND HIGHWAY CONSTRUCTION - EAST AND NORTH

Class 1. Two or three Axle Trucks. A-frame Truck when used for transportation purposes; Air Compressors and Welding Machines, including those pulled by cars, pick-up trucks and tractors; Ambulances; Batch Gate Lockers; Batch Hopperman; Car and Truck

Washers; Carry-alls; Fork Lifts and Hoisters; Helpers; Mechanics  
Helpers and Greasers; Oil Distributors 2-man operation; Pavement  
Breakers; Pole Trailer, up to 40 feet; Power Mower Tractors;  
Self-propelled Chip Spreader; Skipman; Slurry Trucks, 2-man operation;  
Slurry Truck Conveyor Operation, 2 or 3 man; Teamsters; Unskilled  
dumpman; and Truck Drivers hauling warning lights, barricades, and  
portable toilets on the job site.

Class 2. Four axle trucks; Dump Crets and Adgetors under 7 yards;  
Dumpsters, Track Trucks, Euclids, Hug Bottom Dump Turnapulls or  
Turnatrailers when pulling other than self-loading equipment or  
similar equipment under 16 cubic yards; Mixer Trucks under 7 yards;  
Ready-mix Plant Hopper Operator, and Winch Trucks, 2 Axles.

Class 3. Five axle trucks; Dump Crets and Adgetors 7 yards and over;  
Dumpsters, Track Trucks, Euclids, Hug Bottom Dump Turnatrailers or  
turnapulls when pulling other than self-loading equipment or similar  
equipment over 16 cubic yards; Explosives and/or Fission Material  
Trucks; Mixer Trucks 7 yards or over; Mobile Cranes while in transit;  
Oil Distributors, 1-man operation; Pole Trailer, over 40 feet; Pole  
and Expandable Trailers hauling material over 50 feet long; Slurry  
trucks, 1-man operation; Winch trucks, 3 axles or more;  
mechanic--Truck Welder and Truck Painter.

Class 4. Six axle trucks; Dual-purpose vehicles, such as mounted  
crane trucks with hoist and accessories; Foreman; Master Mechanic;  
Self-loading equipment like P.B. and trucks with scoops on the front.

#### OPERATING ENGINEERS - BUILDING

Class 1. Assistant Craft Foreman; Craft Foreman; Mechanic; Asphalt  
Plant; Asphalt Spreader; Autograde; Batch Plant; Benoto (requires Two  
Engineers); Boiler and Throttle Valve; Caisson Rigs; Central Redi-Mix  
Plant; Combination Back Hoe Front End-loader Machine; Compressor and  
Throttle Valve; Concrete Breaker (Truck  
Mounted); Concrete Conveyor; Concrete Paver; Concrete Placer; Concrete  
Pump (Truck Mounted); Concrete Tower, Cranes, All, Cranes, Hammerhead,  
Creter Crane; Crusher, Stone, etc.; Derricks, All; Derricks,  
Traveling; Formless Curb and Gutter Machine; Grader, Elevating;  
Grouting Machines; Highlift Shovels or Front Endloader 2-1/4 yd. and  
over; Hoists, Elevators, outside type rack and pinion and similar  
machines; Hoists, one, two and three Drum; Hoists, Two tigger One  
Floor; Hydraulic Backhoes; Hydraulic Boom Trucks; Locomotives, All;  
Motor Patrol; Pile Drivers and Skid Rig; Post Hole Digger; Pre-Stress  
Machine; Pump Cretes; Squeeze Cretes-screw Type Pumps; Gypsum Bulker  
and Pump; Raised and Blind Hole Drill; Rock Drill; Roto Mill Grinder;  
Scoops - Tractor Drawn; Slip-form Paver; Straddle Buggies; Tie Back  
Machine; Tractor with Book and Side Boom; Trenching Machines.

Class 2. Bobcat (over 3/4 cu. yd.); Boilers; Brick Forklift; Broom,  
All Power Propelled; Bulldozers; Concrete Mixer (Two Bag and Over);  
Conveyor, Portable; Forklift Trucks; Greaser Engineer; Highlift  
Shovels or Front Endloaders under 2-1/4 yd.; Hoists, Automatic;  
Hoists, Sewer Dragging Machine; Hoists, Tigger Single Drum; Rollers,  
All; Steam Generators; Tractors, All; Tractor Drawn Vibratory Roller;  
Winch Trucks with "A" Frame.

Class 3. Air Compressor; Asphalt Spreader; Combination - Small  
Equipment Operator; Generators; Heaters, Mechanical; Hoists, Inside  
Elevators - (Rheostat Manual  
Controlled); Hydraulic Power Units (Pile Driving and Extracting);  
Pumps, over 3" (1 to 3 not to exceed a total of 300 ft.); Pumps, Well

Points; Welding Machines (2 through 5); Winches, 4 small Electric Drill Winches; Bobcat (up to and including 3/4 cu. yd.).

Class 4. Hoists, Inside Elevators, Push Button with Automatic Doors; Oilers; Brick Forklift.

#### OPERATING ENGINEERS - HEAVY AND HIGHWAY CONSTRUCTION

Class 1. Craft Foreman; Asphalt Plant, Asphalt Heater and Planer Combination; Asphalt Heater Scarfire; Asphalt Silo Tender; Asphalt Spreader; Autograder; ABG Paver; Backhoes with Caisson attachment; Ballast Regulator, Belt Loader; Caisson Rigs; Car Dumper; Central Redi-Mix Plant; Backhoe w/shear attachments; Combination Backhoe Front Endloader Machine, (1 cu. yd. Backhoe Bucket or over or with attachments); Concrete Breaker (Truck mounted); Concrete Conveyor; Concrete Paver over 27E cu. ft.; Concrete Placer; Concrete Tube Float; Cranes, all attachments; Cranes, Hammerhead, Linden, Peco & Machines of a like nature; Crete Crane; Crusher, Stone, etc.; Derricks, All; Derrick Boats; Derricks, Traveling; Directional Boring Machine over 12"; Dredges; Field Mechanic-Welder; Formless Curb and Gutter Machine; Gradall and Machines of a like nature; Grader, levating; Grader, Motor Grader, Motor Patrol, Auto Patrol, Form Grader, Pull Grader, Subgrader; Guard Rail Post Driver Mounted; Hoists, One, Two and Three Drum; Hydraulic Backhoes; Pile Drivers and Skid Rig; Pre-Stress Machine; Pump Cretes Dual Ram; Rock Drill - Crawler or Skid Rig; Rock Drill - Truck Mounted; Rock/Track Tamper; Roto Mill Grinder; Slip-Form Paver; Soil Test Drill Rig (Truck Mounted); Straddle Buggies; GCI Crane; Hydraulic Telescoping form (Tunnel); Tie Back Machine; Tractor Drawn Belt Loader; Tractor with Boom; Tractor-aire with Attachments; Traffic Barrier conveyor machine; Raised or Blind Hole; Trenching Machine; Truck Mounted Concrete Pump with Boom; Truck Mounted Concrete Conveyor; Underground Boring and/or Mining Machines; Wheel Excavator; Widener (APSCO).

Class 2. Batch Plant; Bituminous Mixer; Boiler and Throttle Valve; Bulldozers; Car Loader Trailing Conveyors; Combination Backhoe Front Endloader Machine (less than 1 cu. yd. Backhoe Bucket or over or with attachments); Compressor and Throttle Valve; Compressor, Common Receiver (3); Concrete Breaker or Hydro Hammer; Concrete Grinding Machine; Concrete Mixer or Paver 7S Series to and including 27 cu. ft.; Concrete Spreader; Concrete Curing Machine, Burlap Machine, Belting Machine and Sealing Machine; Conveyor Muck Cars (Haglund or Similar Type); Drills, all; Finishing Machine - Concrete; Greaser Engineer; Highlift Shovels or Front Endloader; Hoist - Sewer Dragging Machine; Hydraulic Boom Trucks (All Attachments); Hydro Blaster; Laser Screed; All Locomotives, Dinky; Pump Cretes; Squeeze Cretes-Screw Type Pumps, Gypsum Bulker and Pump; Roller, Asphalt; Rotary Snow Plows; Rototiller, Seaman, etc., self-propelled; Scoops - Tractor Drawn; Self-Propelled Compactor; Spreader - Chip - Stone, etc.; Scraper; Scraper - Prime Mover in Tandem (Regardless of Size); Tank Car Heater; Tractors, Push, Pulling Sheeps Foot, Disc, Compactor, etc. Tug Boats.

Class 3. Boilers; Brooms, All Power Propelled; Cement Supply Tender; Compressor, Common Receiver (2); Concrete Mixer (Two Bag and Over); Conveyor, Portable; Farm-Type Tractors Used for Mowing, Seeding, etc.; Fireman on Boilers; Forklift Trucks; Grouting Machine; Hoists, Automatic; Hoists, All Elevators; Hoists, Tugger Single Drum; Jeep Diggers, Low Boys; Pipe Jacking Machines; Post-Hole Digger; Power Saw, Concrete Power Driven; Pug Mills; Rollers, other than asphalt; Seed and Straw Blower; Steam Generators; Stump Machine; Winch Trucks with

"A" Frame; Work Boats; Tamper - Form-Motor Driven.

Class 4. Air Compressor - Small and Large; Asphalt Spreader, Backend Man; Bobcat (Skid Steer) all; Combination - Small Equipment Operator; Directional Boring Machine up to 12"; Generators - Small 50kw and Under; Generators - Large over 50kw; Heaters, Mechanical; Hydraulic Power Unit (Pile Driving, Extracting, or Drilling); Hydro-Blaster; Light Plants, All (1 through 5); Pumps, over 3" (1 to 3 not to exceed a total of 300 ft.); Pumps, Well Points; Tract-aire; Welding Machines (2 through 5); Winches, 4 Small Electric Drill Winches.

Class 5. Oilers and Directional Boring Machine Locator.

Other Classifications of Work:

For definitions of classifications not otherwise set out, the Department generally has on file such definitions which are available. If a task to be performed is not subject to one of the classifications of pay set out, the Department will upon being contacted state which neighboring county has such a classification and provide such rate, such rate being deemed to exist by reference in this document. If no neighboring county rate applies to the task, the Department shall undertake a special determination, such special determination being then deemed to have existed under this determination. If a project requires these, or any classification not listed, please contact IDOL at 618/993-7271 for wage rates or clarifications.

#### LANDSCAPING

Landscaping work falls under the existing classifications for laborer, operating engineer and truck driver. The work performed by landscape plantsman and landscape laborer is covered by the existing classification of laborer. The work performed by landscape operators (regardless of equipment used or its size) is covered by the classifications of operating engineer. The work performed by landscape truck drivers (regardless of size of truck driven) is covered by the classifications of truck driver.