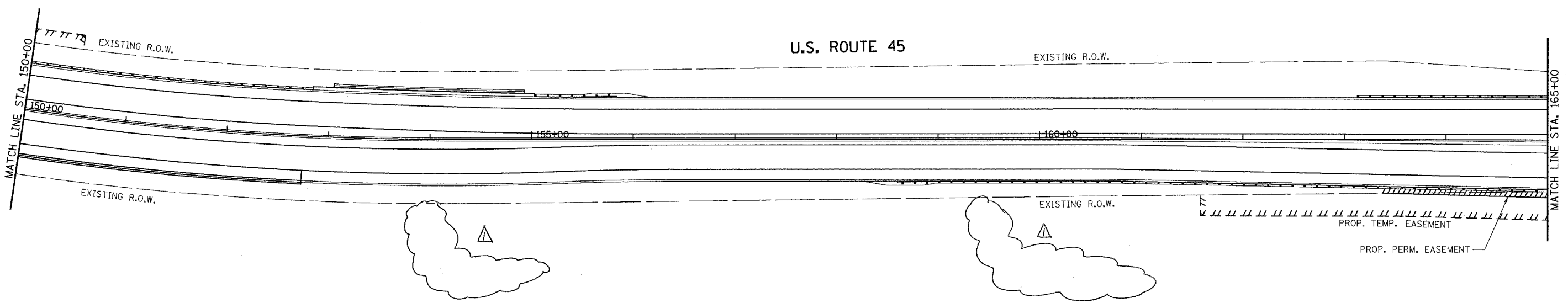
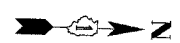
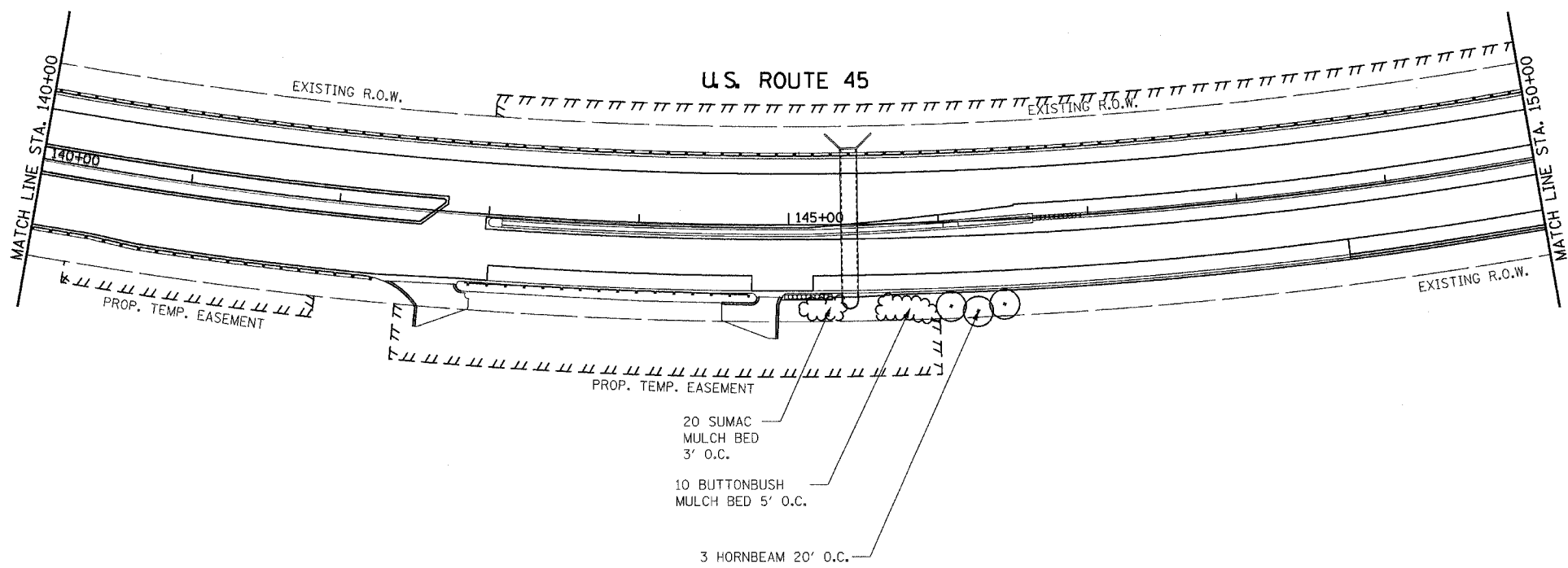


FAP NO.	SECTION	COUNTY	TOTAL SHEETS	SHEET NO.
330	(102 & 102X) LS	COOK	14	6
STA.	140+00	TO STA.	165+00	
FED. ROAD DIST. NO.	1	ILLINOIS	FED. AID PROJECT	

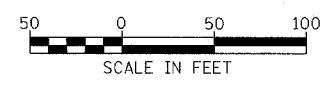
D-91-227-05



ILLINOIS DEPARTMENT OF TRANSPORTATION  
DISTRICT NO. 1 SCHAUMBURG

LANDSCAPING PLAN  
U.S. ROUTE 45

SCALE AS SHOWN  
DATE OCT 25, 2005  
DRAWN BY BSB  
CHECKED BY CES



Rev. 2-24-06