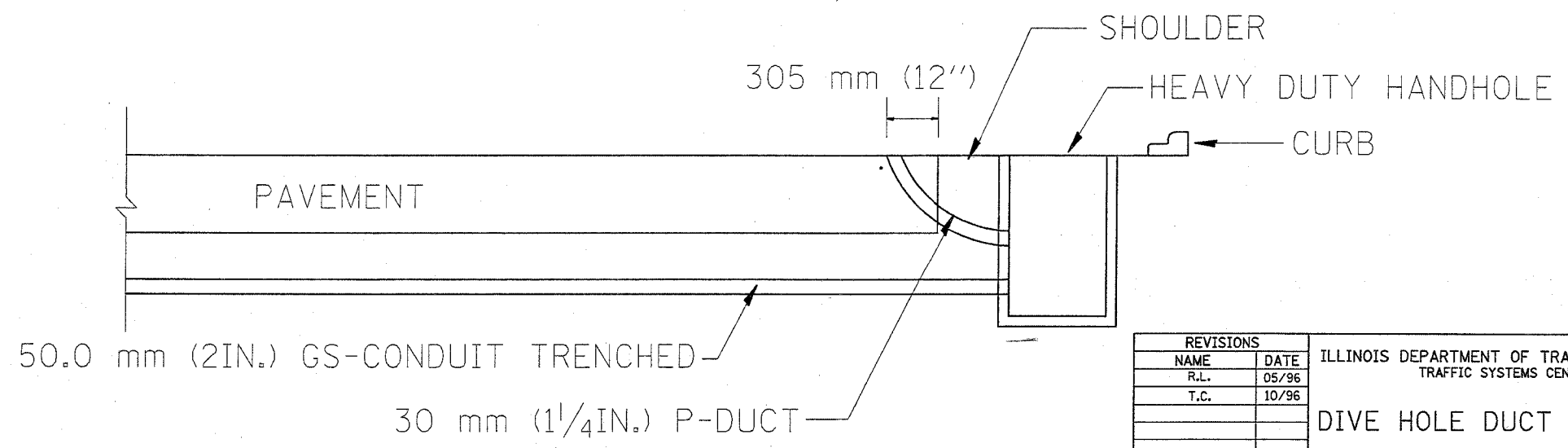
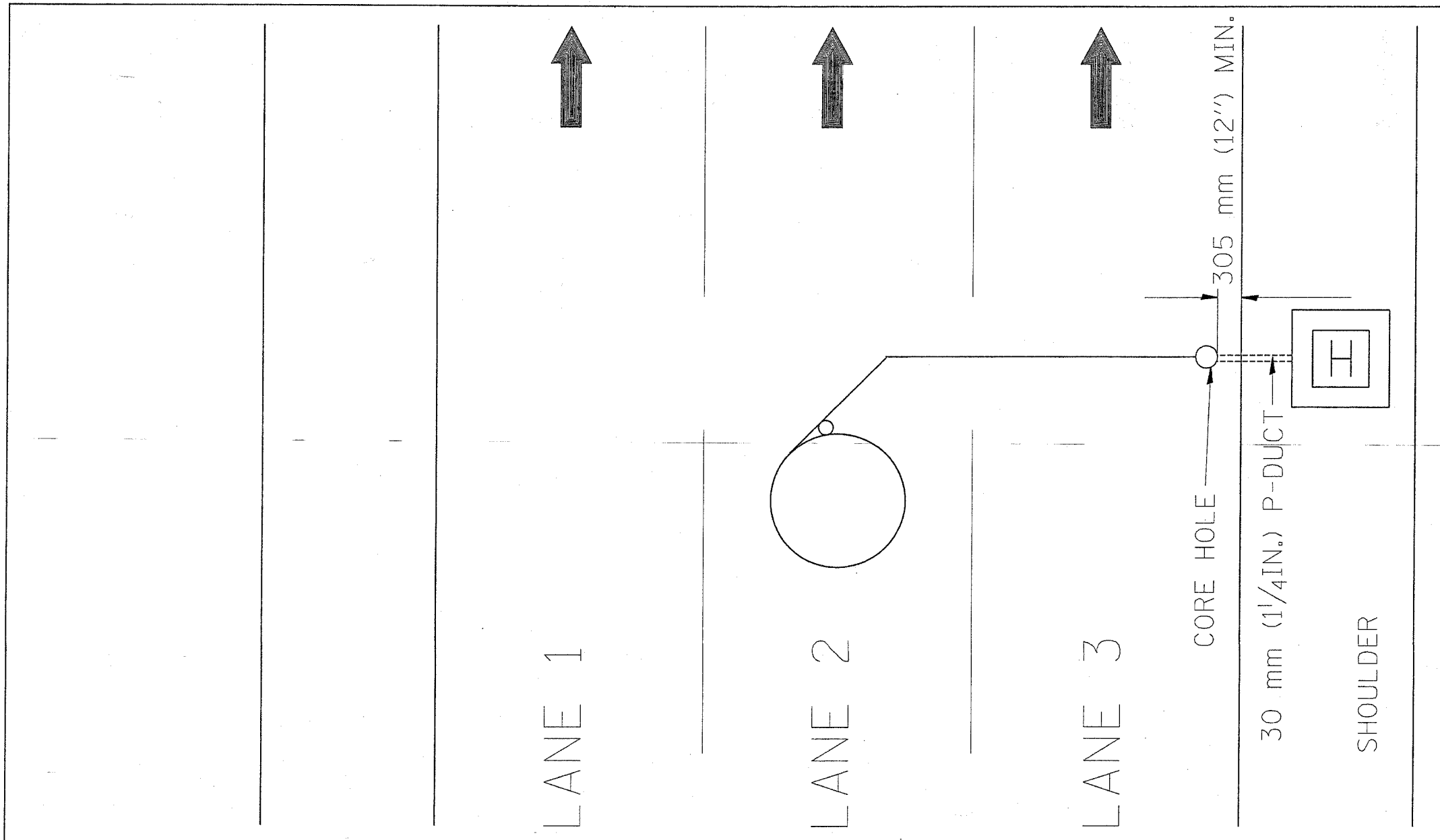


F.A.L. RTE.	SECTION	COUNTY	TOTAL SHEETS	SHEET NO.
90	*	COOK	81	62
STA.		TO STA.		
FED. ROAD DIST. NO.		ILLINOIS FED. AID PROJECT		
*(1012, 1214, 1415, & 1517)		RS-3		
62746				



REVISIONS	
NAME	DATE
R.L.	05/96
T.C.	10/96

ILLINOIS DEPARTMENT OF TRANSPORTATION
 TRAFFIC SYSTEMS CENTER
DIVE HOLE DUCT SYSTEM
 SCALE: VERT. NONE
 HORIZ. DATE 11/7/95
 DRAWN BY G.M.
 CHECKED BY R.L.

RD-TYPMET.DGN
 RF=

VI-4188