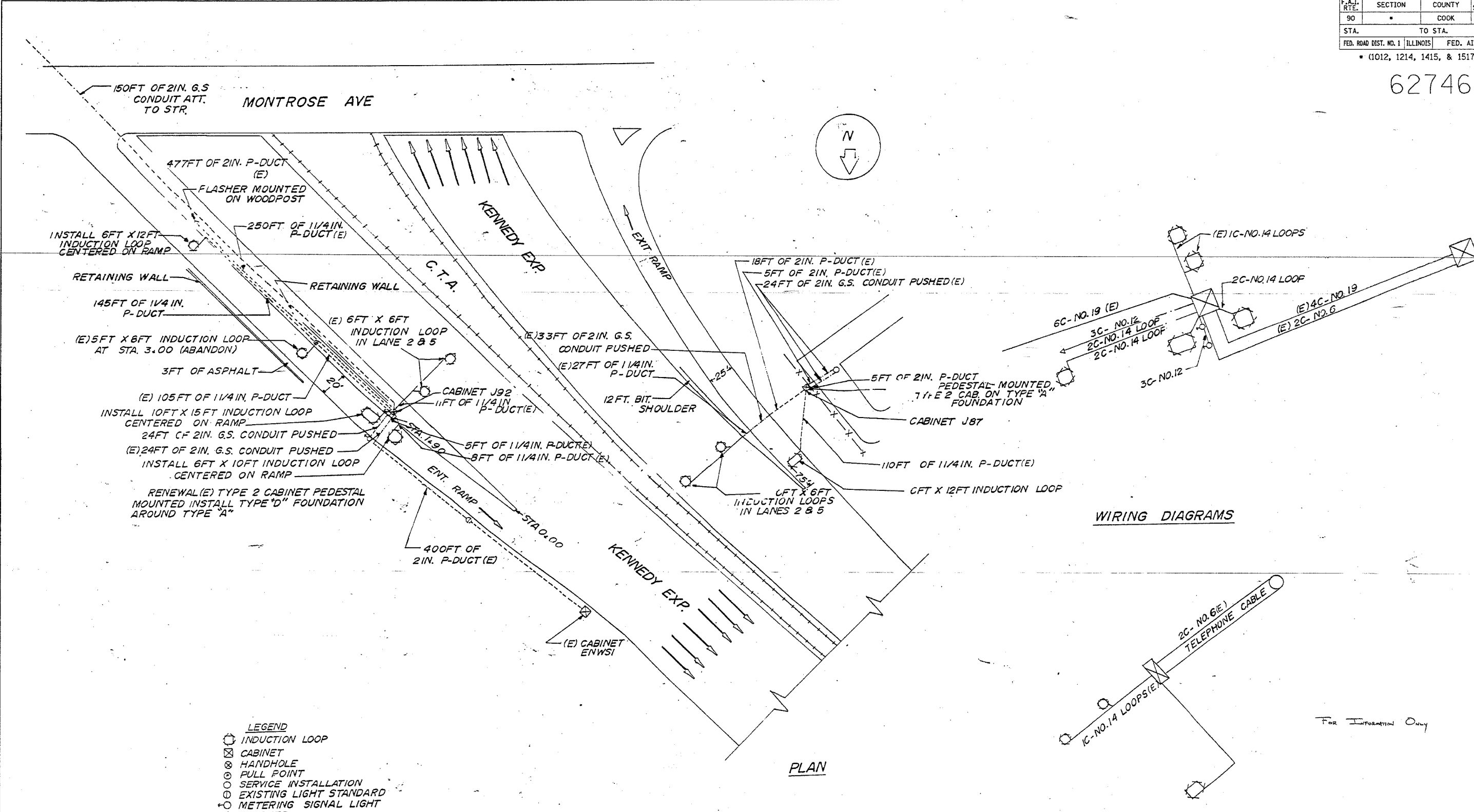


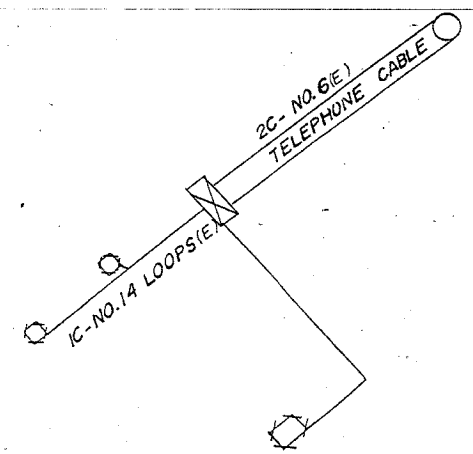
F.A.I. RTE.	SECTION	COUNTY	TOTAL SHEETS	SHEET NO.
90		COOK	81	55
STA.	TO STA.			
FED. ROAD DIST. NO. 1	ILLINOIS	FED. AID PROJECT		
• (1012, 1214, 1415, & 1517) RS-3				

62746



PLAN

WIRING DIAGRAMS



For Information Only

- LEGEND**
- INDUCTION LOOP
  - ⊠ CABINET
  - ⊗ HANDHOLE
  - ⊙ PULL POINT
  - ⊕ SERVICE INSTALLATION
  - ⊖ EXISTING LIGHT STANDARD
  - ⊙ METERING SIGNAL LIGHT
  - △ FLASHER
  - DUCT
  - CONDUIT
  - X- FENCE
  - (E) EXISTING

REVISIONS	
NAME	DATE

ILLINOIS DEPARTMENT OF TRANSPORTATION  
 F.A.I. ROUTE 90  
 KENNEDY EXPRESSWAY  
 INDUCTION LOOP PLANS  
 MONTROSE AVENUE

SCALE: VERT. NONE  
 HORIZ. DATE 04/05/2004

DRAWN BY  
 CHECKED BY

04/05/2004 04/05/2004

04/05/2004  
 c:\proj\lect\gdl\2080-48\dl2080-48.dwg