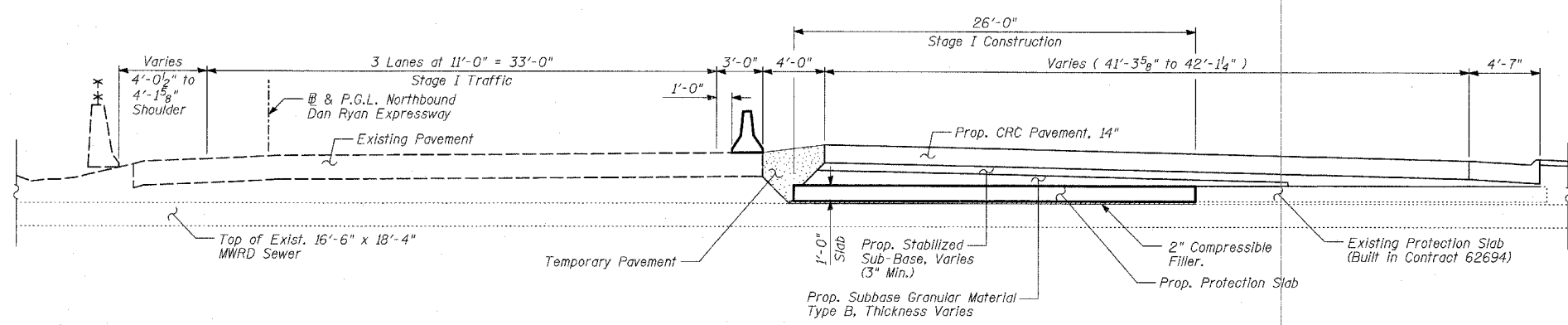
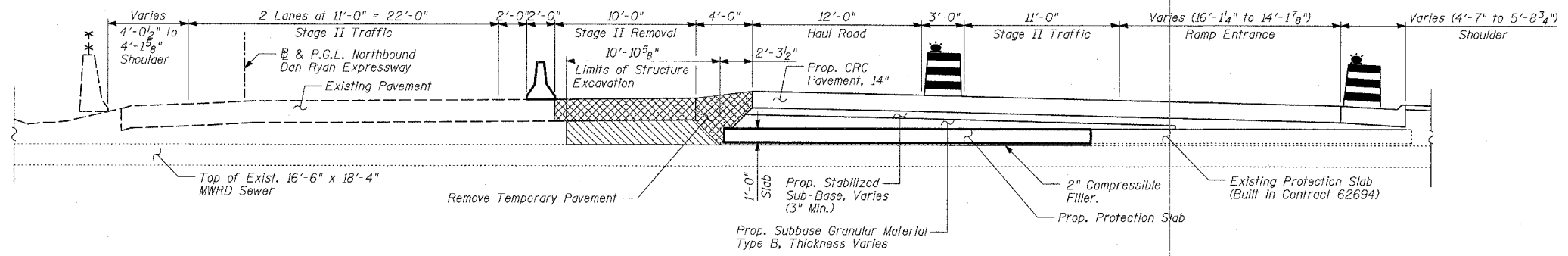


STAGE I REMOVAL



STAGE I CONSTRUCTION



STAGE II REMOVAL

LEGEND

- Pavement Removal
- Structure Excavation
- Temporary Pavement

REVISIONS	
NAME	DATE

ILLINOIS DEPARTMENT OF TRANSPORTATION
F.A.I. 94 (DAN RYAN EXPRESSWAY)
PROTECTION SLAB STAGE CONSTRUCTION
FOR EXISTING 16'-6" X 18'-4"
MWRD SEWER (1 OF 2)

S.N. DESIGNED BY: MI, MAF
SCALE: DRAWN BY: MAF
DATE: MARCH 7, 2006 CHECKED BY: MI