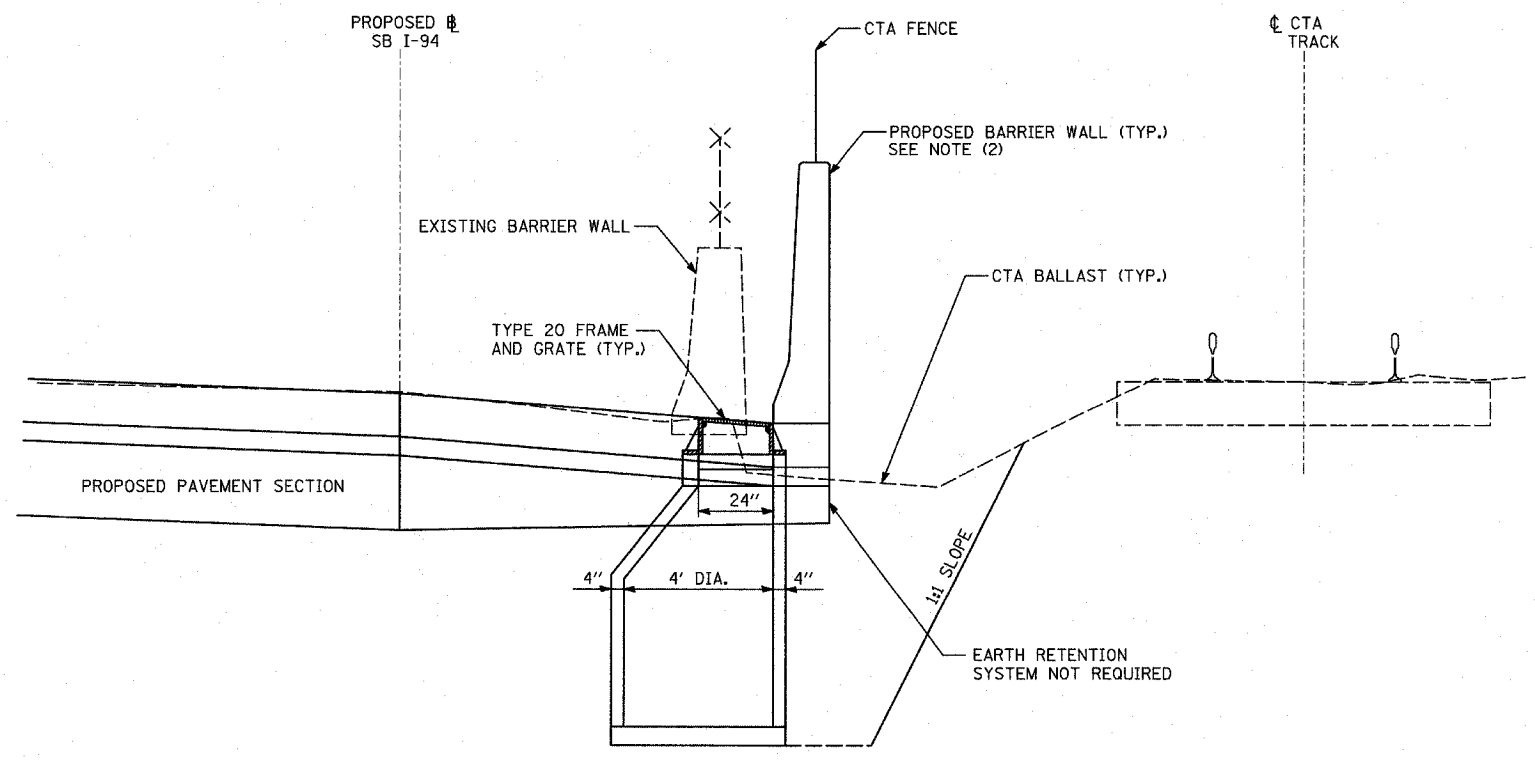
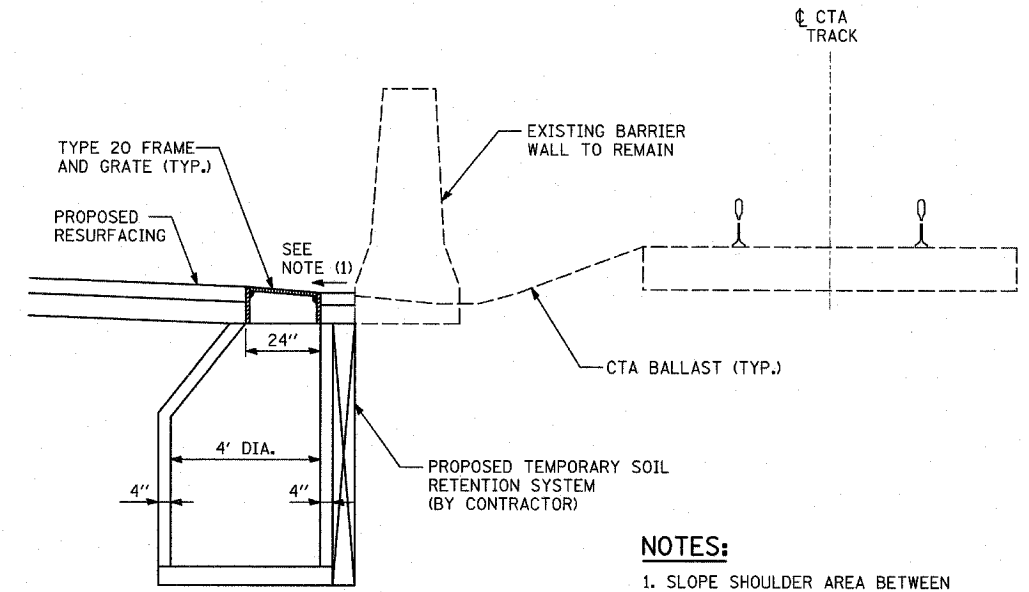


**DETAIL 1**  
**PROPOSED CATCH BASIN - TYPE "A"**



**DETAIL 2**  
**PROPOSED CATCH BASIN - TYPE "A"**



**DETAIL 4**  
**PROPOSED CATCH BASIN - TYPE "A"**

- NOTES:**
1. SLOPE SHOULDER AREA BETWEEN PROPOSED CATCH BASIN AND BARRIER WALL TOWARDS GRATE - TRANSITION BACK TO SHOULDER SLOPE WITHIN 10' EITHER WAY FROM C OF GRATE.
  2. SEE MISCELLANEOUS DETAIL SHEETS FOR WALL DETAIL.

REVISIONS	
NAME	DATE