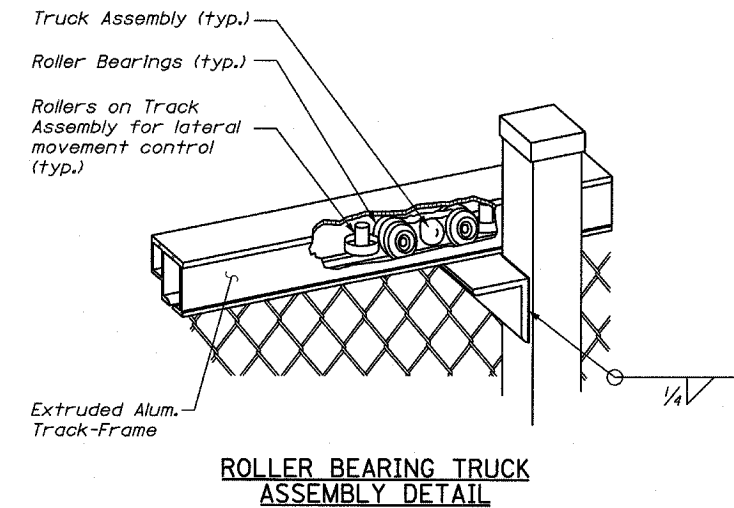
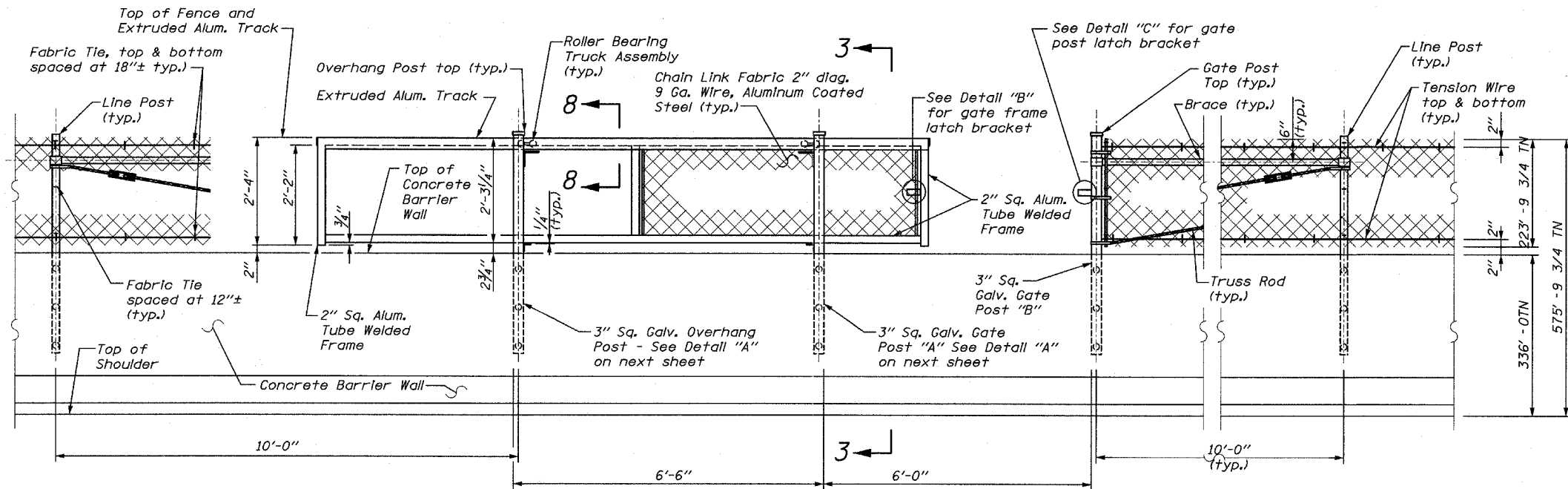


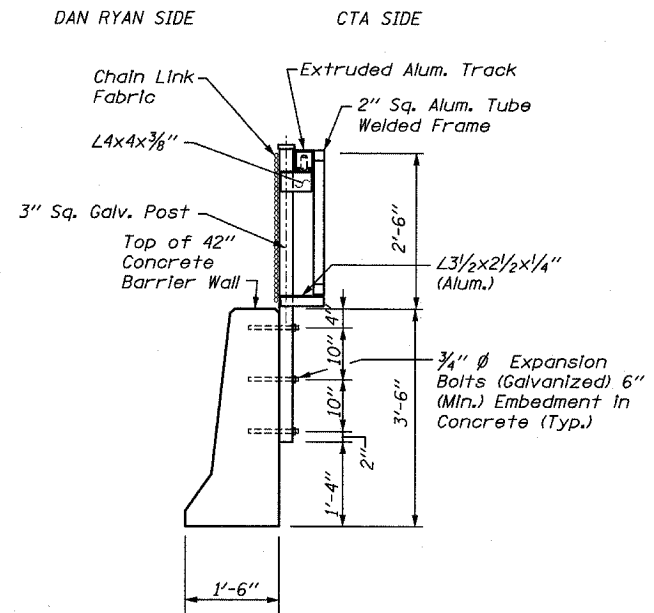
PLAN
(BARRIER WALL NOT SHOWN)



ROLLER BEARING TRUCK ASSEMBLY DETAIL



ELEVATION
CTA FENCE & CTA GATE
(FOOTING NOT SHOWN)



SECTION 3-3

REVISIONS	
NAME	DATE