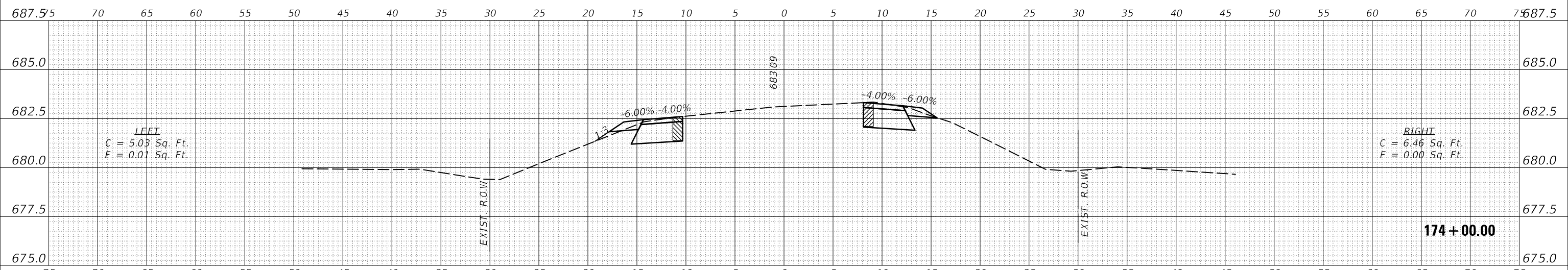
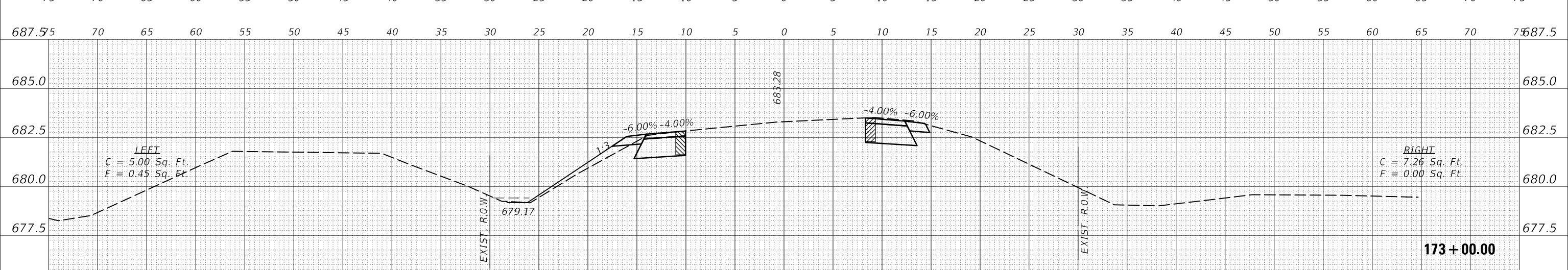


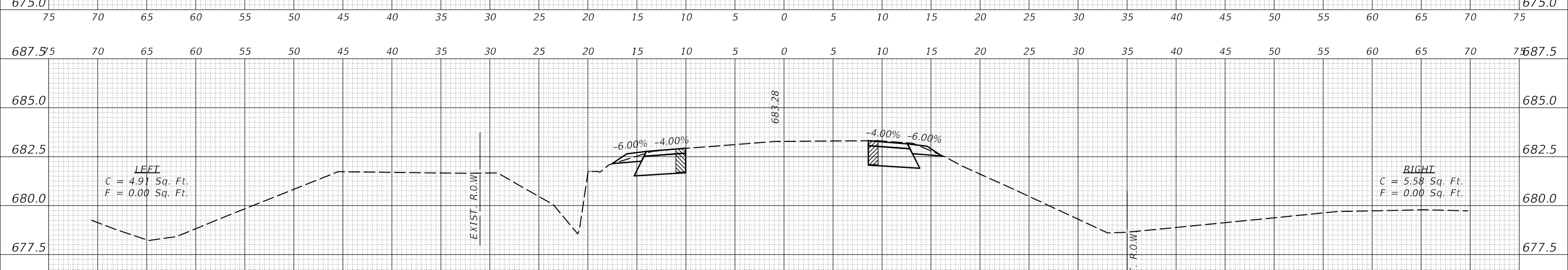
DATE	
BY	
FINAL SURVEY	
SURVEYED	
PLOTTED	
TEMPLATE	
NOTE BOOK	
AREAS CHECKED	
NO.	



DATE	
BY	
ORIGINAL SURVEY	
SURVEYED	
PLOTTED	
TEMPLATE	
NOTE BOOK	
AREAS CHECKED	
NO.	



DATE	
BY	
ORIGINAL SURVEY	
SURVEYED	
PLOTTED	
TEMPLATE	
NOTE BOOK	
AREAS CHECKED	
NO.	



MODEL: S:\MODEL\NAMES
 FILE NAME: D:\ILLINOIS\BID\BID\TEC\Illinois\pwr\70D11\CADD\Drawn\Design\70D11\172+75.55-West.dgn

USER NAME = PiersonTJ	DESIGNED -	REVISED -
	DRAWN -	REVISED -
PLOT SCALE = 10.0000' / in.	CHECKED -	REVISED -
PLOT DATE = 1/30/2018	DATE -	REVISED -

**STATE OF ILLINOIS
 DEPARTMENT OF TRANSPORTATION**

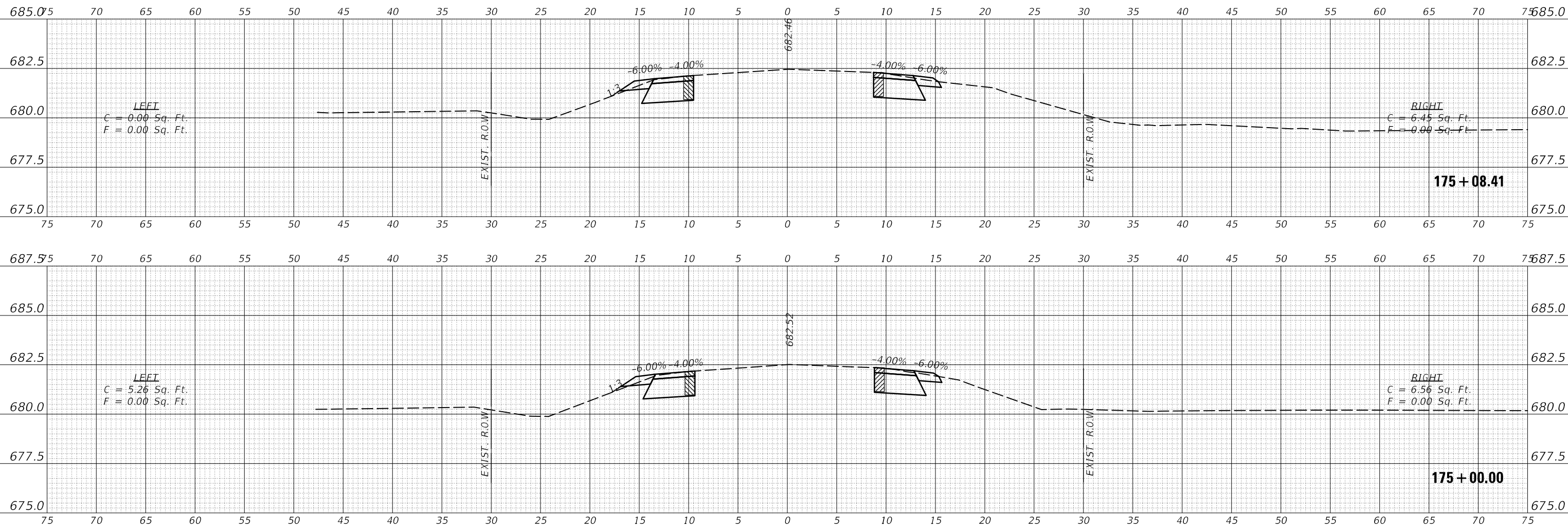
BROADLANDS RD CROSS SECTIONS	
SCALE:	SHEET 57 OF 87 SHEETS STA. 172+75.55 TO STA. 174+00.00

F.A.S. RTE.	SECTION	COUNTY	TOTAL SHEETS	SHEET NO.
525	(41,48,81)SR	CHAMPAIGN	131	101
CONTRACT NO. 70D11				
ILLINOIS FED. AID PROJECT				

FINAL SURVEY NO.	SURVEYED PLOTTED TEMPLATE AREAS CHECKED	BY	DATE

ORIGINAL SURVEY NO.	SURVEYED PLOTTED TEMPLATE AREAS CHECKED	BY	DATE

MODEL: S:\MODEL\NAMES
 FILE NAME: D:\ILLINOIS\BID\BID\TEC\Illinois\pwr\WDOT\Documents\DOT\Office\Director\Projects\0570011\CADD\Drawings\0570011\chc-sec-West.dgn



USER NAME = PiersonTJ	DESIGNED -	REVISED -
	DRAWN -	REVISED -
PLOT SCALE = 10.0000 ' / in.	CHECKED -	REVISED -
PLOT DATE = 1/30/2018	DATE -	REVISED -

**STATE OF ILLINOIS
 DEPARTMENT OF TRANSPORTATION**

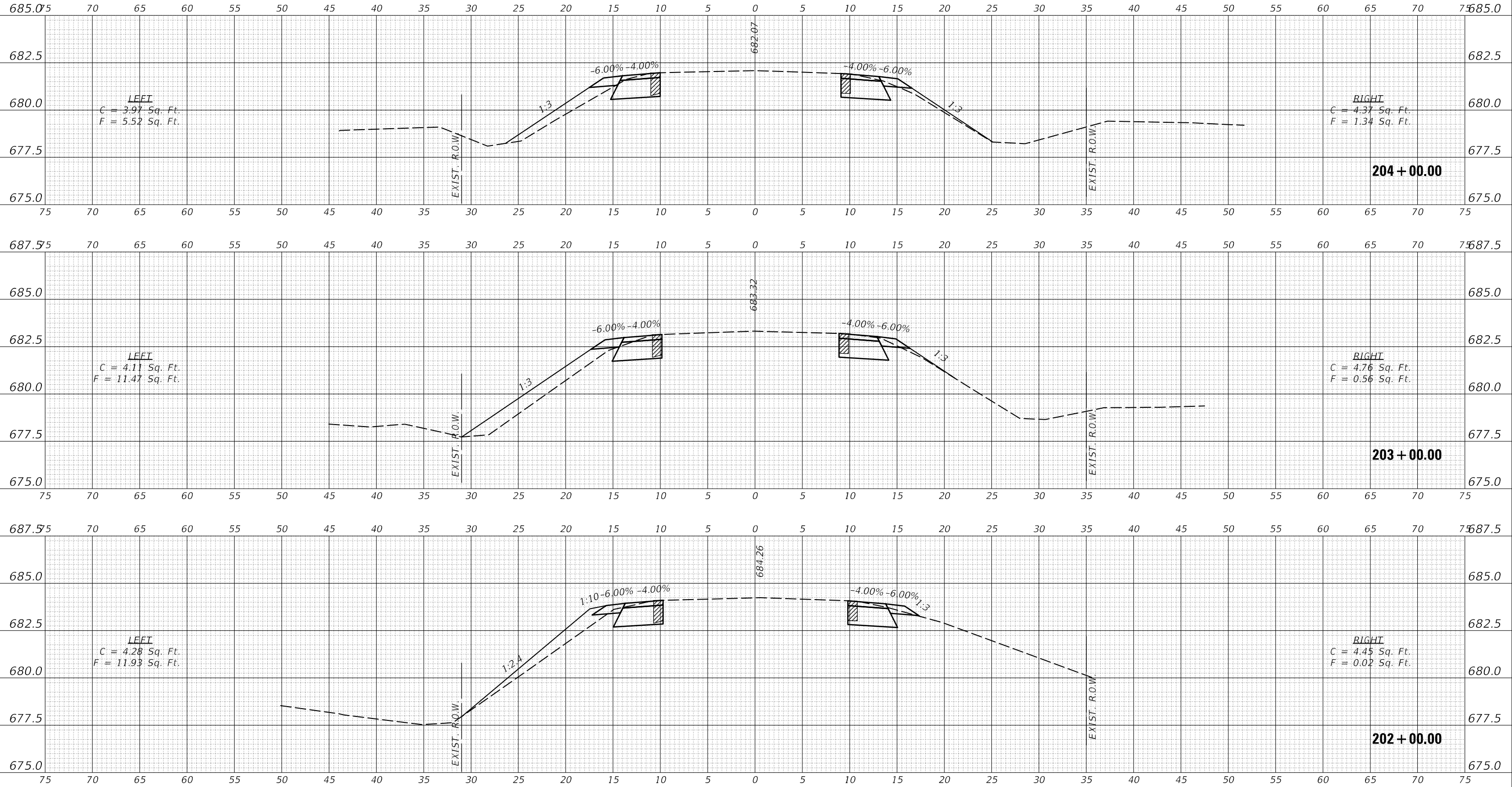
BROADLANDS RD CROSS SECTIONS	
SCALE:	SHEET 58 OF 87 SHEETS STA. 175+00.00 TO STA. 175+08.41

F.A.S. RTE. 525	SECTION (41,48,81)SR	COUNTY CHAMPAIGN	TOTAL SHEETS 131	SHEET NO. 102
ILLINOIS FED. AID PROJECT			CONTRACT NO. 70D11	

DATE	
BY	
ORIGINAL SURVEY	SURVEYED
NOTE BOOK	PLOTTED
	TEMPLE
	AREAS CHECKED

DATE	
BY	
ORIGINAL SURVEY	SURVEYED
NOTE BOOK	PLOTTED
	TEMPLE
	AREAS CHECKED

MODEL: S:\MODEL\NAME5
FILE NAME: D:\IULIB\BID\ITEM\Illinois\gov\PWD\DOT\Documents\DOT\Illinois\Bridges\Design\0520011\CAD\DrawData\Design\0520011\Sh-06-01-02.dwg



USER NAME = piersontj	DESIGNED -	REVISED -
	DRAWN -	REVISED -
PLOT SCALE = 10.0000' / in.	CHECKED -	REVISED -
PLOT DATE = 1/30/2018	DATE -	REVISED -

**STATE OF ILLINOIS
DEPARTMENT OF TRANSPORTATION**

BROADLANDS RD CROSS SECTIONS

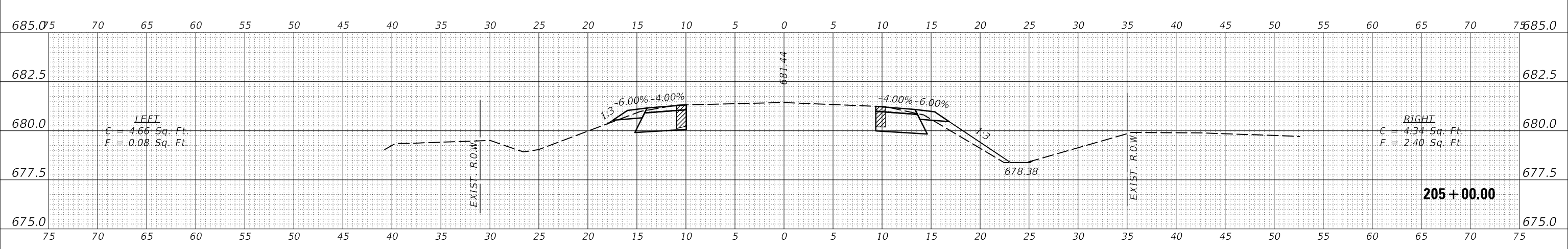
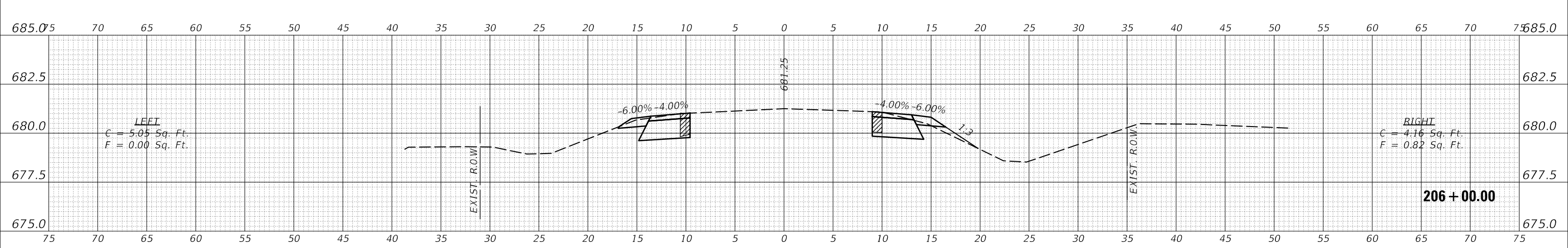
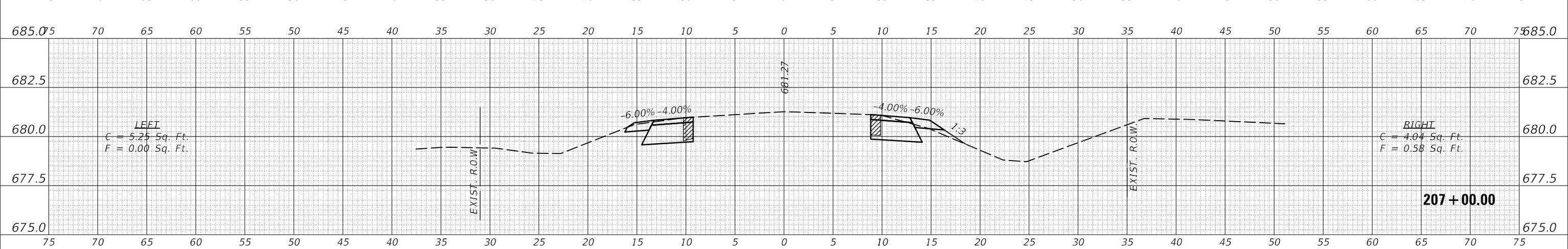
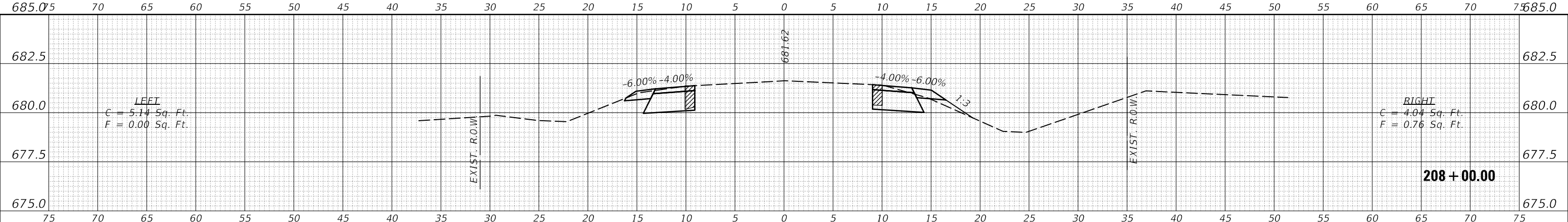
SCALE: SHEET 59 OF 87 SHEETS STA. 202+00.00 TO STA. 204+00.00

F.A.S. RTE.	SECTION	COUNTY	TOTAL SHEETS	SHEET NO.
525	(41,48,81)SR	CHAMPAIGN	131	103
			CONTRACT NO. 70D11	
			ILLINOIS FED. AID PROJECT	

DATE	
BY	
FINAL SURVEY	SURVEYED
NOTE BOOK	PLOTTED
NO.	TEMPLATE
	AREAS CHECKED

DATE	
BY	
ORIGINAL SURVEY	SURVEYED
NOTE BOOK	PLOTTED
NO.	TEMPLATE
	AREAS CHECKED

MODEL: S:\MODEL\NAMES
 FILE NAME: D:\ILLINOIS\BID\BID\TCE\Illinois\pwr\PROJECTS\7011\CADD\Drawings\7011\7011-Cross-Section.dwg



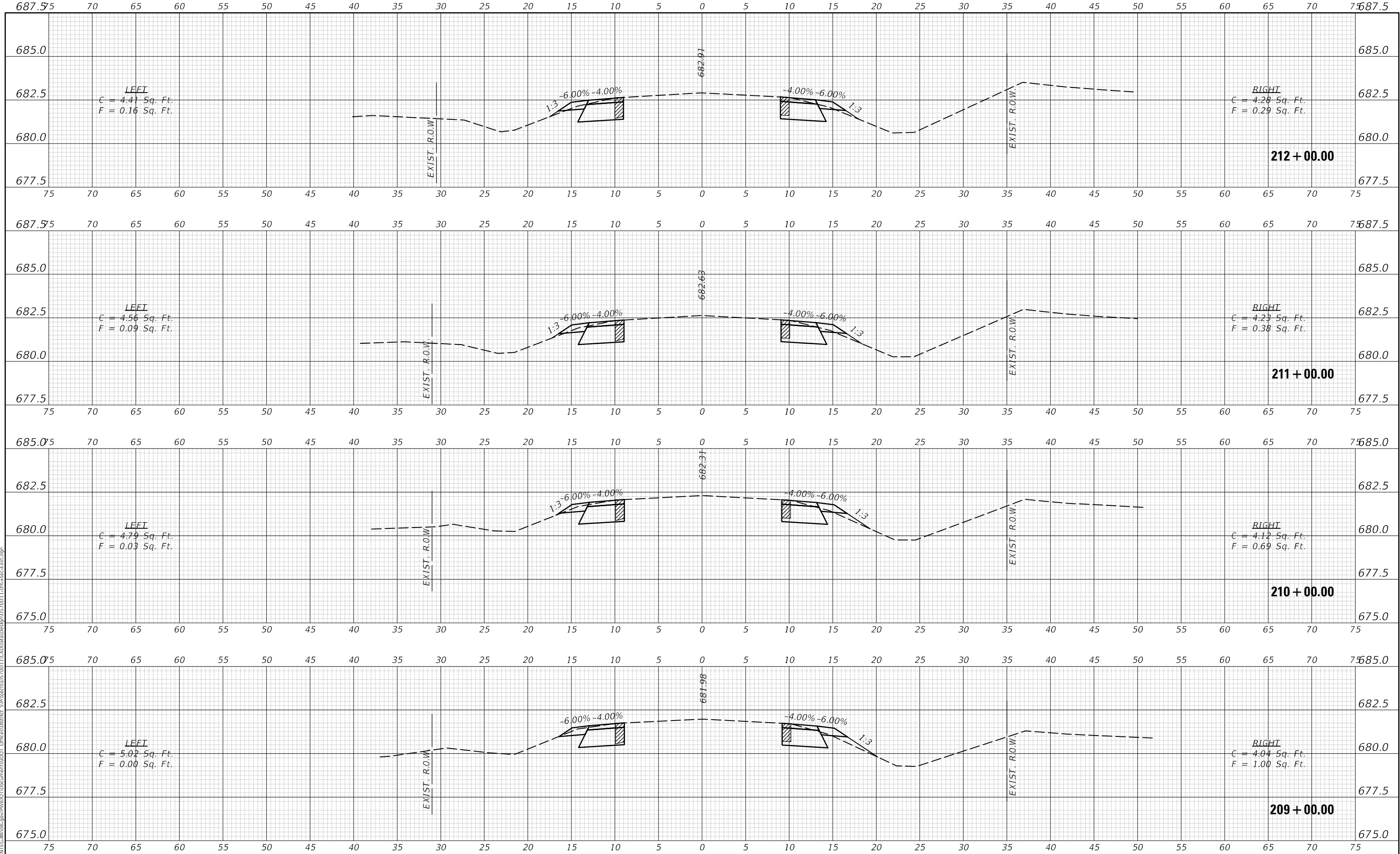
USER NAME = PiersonTJ	DESIGNED -	REVISED -
	DRAWN -	REVISED -
PLOT SCALE = 10.0000' / in.	CHECKED -	REVISED -
PLOT DATE = 1/30/2018	DATE -	REVISED -

**STATE OF ILLINOIS
 DEPARTMENT OF TRANSPORTATION**

BROADLANDS RD CROSS SECTIONS

SCALE: SHEET 60 OF 87 SHEETS STA. 205+00.00 TO STA. 208+00.00

F.A.S. RTE.	SECTION	COUNTY	TOTAL SHEETS	SHEET NO.
525	(41,48,81)SR	CHAMPAIGN	131	104
				CONTRACT NO. 70D11
				ILLINOIS FED. AID PROJECT



DATE	
BY	
FINAL SURVEY	
PLOTTED	
TEMPLATE	
NOTE BOOK	
AREAS CHECKED	
NO.	

DATE	
BY	
ORIGINAL SURVEY	
PLOTTED	
TEMPLATE	
NOTE BOOK	
AREAS CHECKED	
NO.	

MODEL: S:\MODEL\NAMES
 FILE NAME: d:\w\l\81\BROADLANDS\Road\Drawings\DWG\210+00.00\Drawings\210+00.00\210+00.00 1:1 Left Cross Section.dwg

USER NAME = PiersonTJ	DESIGNED -	REVISED -
	DRAWN -	REVISED -
PLOT SCALE = 10.0000 ' / in.	CHECKED -	REVISED -
PLOT DATE = 1/30/2018	DATE -	REVISED -

**STATE OF ILLINOIS
 DEPARTMENT OF TRANSPORTATION**

BROADLANDS RD CROSS SECTIONS

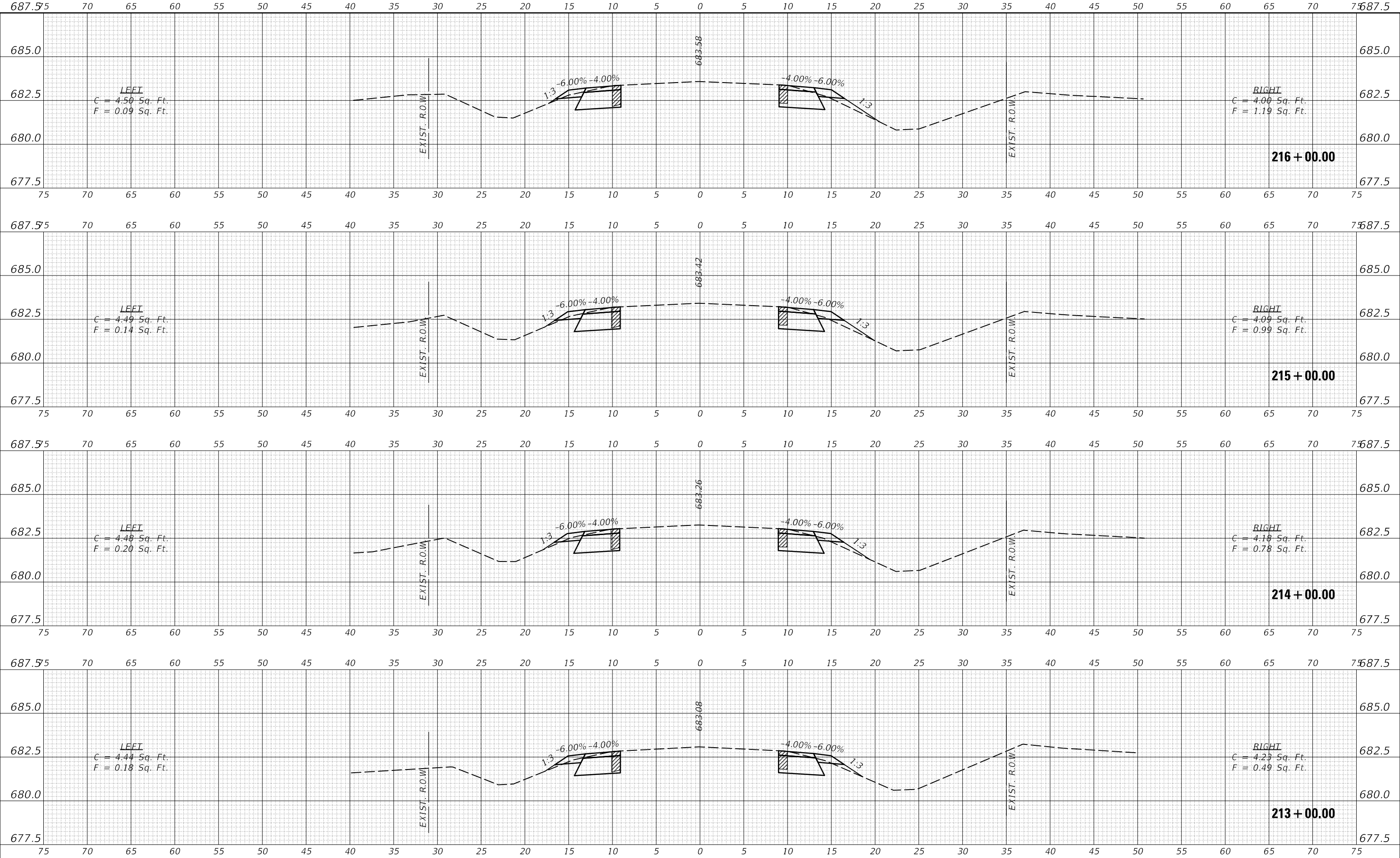
SCALE: SHEET 61 OF 87 SHEETS STA. 209+00.00 TO STA. 212+00.00

F.A.S. RTE.	SECTION	COUNTY	TOTAL SHEETS	SHEET NO.
525	(41,48,81)SR	CHAMPAIGN	131	105
			CONTRACT NO. 70D11	
ILLINOIS FED. AID PROJECT				

DATE	
BY	
FINAL SURVEY	SURVEYED
NOTE BOOK	PLOTTED
NO.	TEMPLATE
	AREAS CHECKED

DATE	
BY	
ORIGINAL SURVEY	SURVEYED
NOTE BOOK	PLOTTED
NO.	TEMPLATE
	AREAS CHECKED

MODEL: S:\MODEL\NAMES
 FILE NAME: D:\ILLINOIS\BID\BID\TEC\Illinois\pwr\WIDOT\Documents\DOT\Office\District 5\Projects\0570D11\CADD\Drawings\0570D11\111b-000-0-01.dwg



USER NAME	= PjersonTJ	DESIGNED -	REVISIED -
		DRAWN -	REVISIED -
PLOT SCALE	= 10.0000' / in.	CHECKED -	REVISIED -
PLOT DATE	= 1/30/2018	DATE -	REVISIED -

**STATE OF ILLINOIS
DEPARTMENT OF TRANSPORTATION**

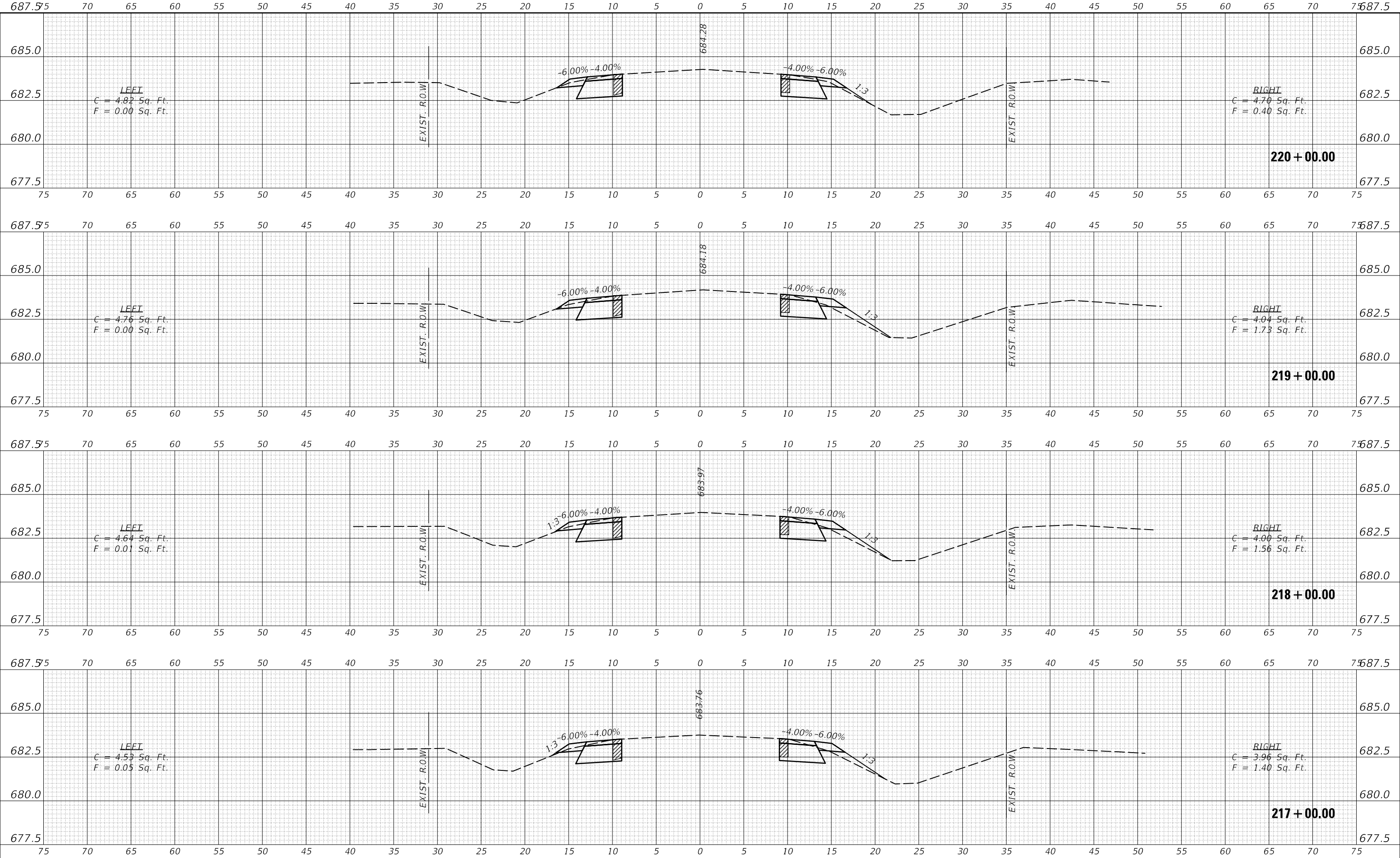
BROADLANDS RD CROSS SECTIONS			
SCALE:	SHEET 62 OF 87 SHEETS	STA. 213+00.00 TO STA. 216+00.00	

F.A.S. RTE.	SECTION	COUNTY	TOTAL SHEETS	SHEET NO.
525	(41,48,81)SR	CHAMPAIGN	131	106
				CONTRACT NO. 70D11
ILLINOIS		FED. AID PROJECT		

DATE	
BY	
FINAL SURVEY	
SURVEYED	
PLOTTED	
TEMPLATE	
AREAS CHECKED	
NO.	

DATE	
BY	
ORIGINAL SURVEY	
SURVEYED	
PLOTTED	
TEMPLATE	
AREAS CHECKED	
NO.	

MODEL: S:\MODEL\NAMES
 FILE NAME: D:\ILLINOIS\BID\BID\TEC\Illinois\pwr\pwr\DOT\Documents\DOT\Office\District 3\Project\0570D11\CAD\Drawings\0570D11\Left-sec-est.dgn



USER NAME = PiersonTJ	DESIGNED -	REVISED -
	DRAWN -	REVISED -
PLOT SCALE = 10.0000' / in.	CHECKED -	REVISED -
PLOT DATE = 1/30/2018	DATE -	REVISED -

**STATE OF ILLINOIS
 DEPARTMENT OF TRANSPORTATION**

BROADLANDS RD CROSS SECTIONS

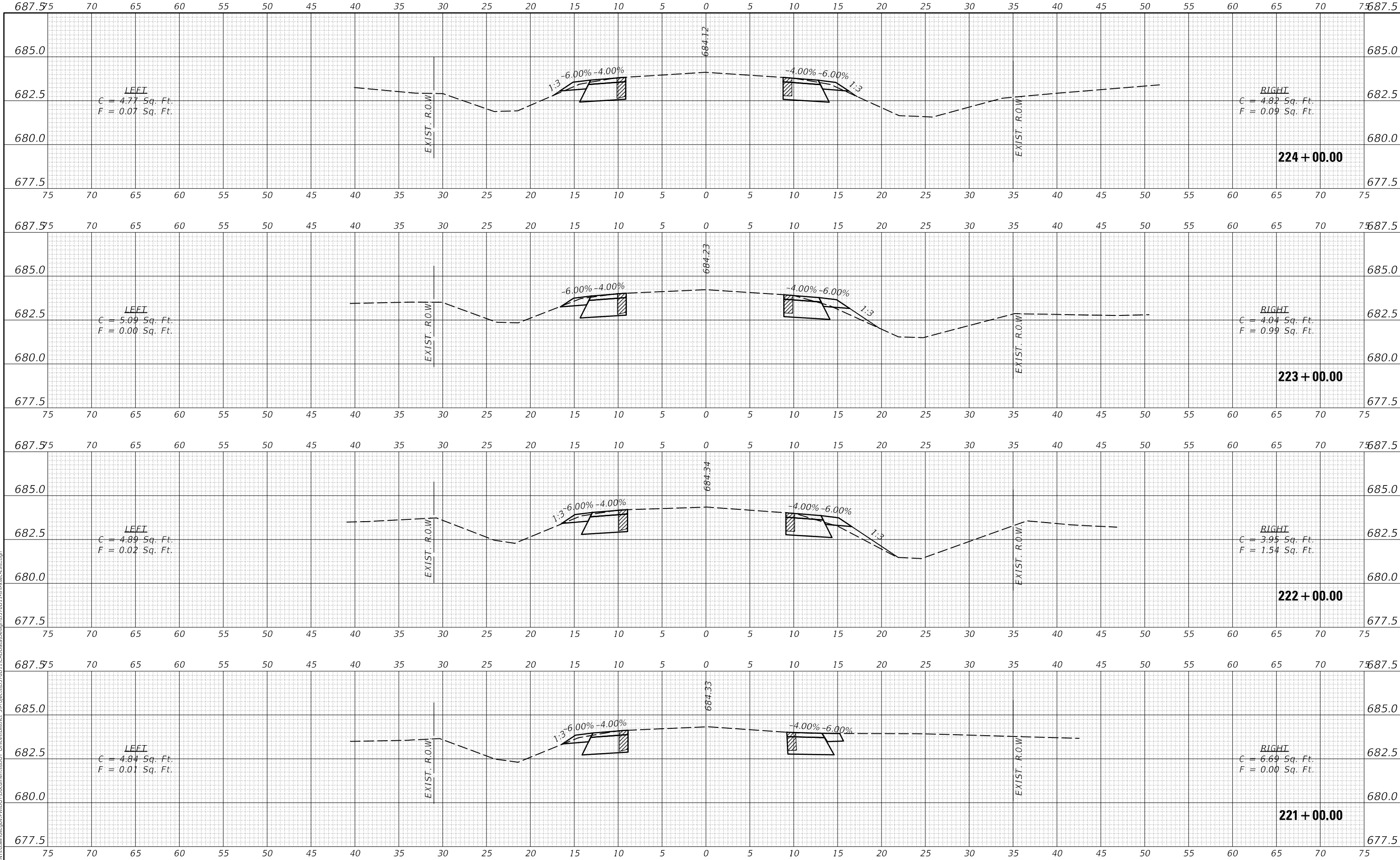
SCALE: SHEET 63 OF 87 SHEETS STA. 217+00.00 TO STA. 220+00.00

F.A.S. RTE.	SECTION	COUNTY	TOTAL SHEETS	SHEET NO.
525	(41,48,81)SR	CHAMPAIGN	131	107
			CONTRACT NO. 70D11	
		ILLINOIS	FED. AID PROJECT	

DATE	
BY	
FINAL SURVEY	SURVEYED
NOTE BOOK	PLOTTED
NO.	TEMPLATE
	AREAS CHECKED

DATE	
BY	
ORIGINAL SURVEY	SURVEYED
NOTE BOOK	PLOTTED
NO.	TEMPLATE
	AREAS CHECKED

MODEL: S:\MODEL\NAME'S
 FILE NAME: D:\ILLINOIS\BID\DATE\Illinois\pwr\WDOT\Documents\DOT Documents\1111\CADData\Design\052011\1111-000-000.dwg



USER NAME	= Piersontj
DESIGNED	-
DRAWN	-
REVISIONS	-
CHECKED	-
DATE	-
PLOT SCALE	= 10.0000' / in.
PLOT DATE	= 1/30/2018

STATE OF ILLINOIS
DEPARTMENT OF TRANSPORTATION

BROADLANDS RD CROSS SECTIONS

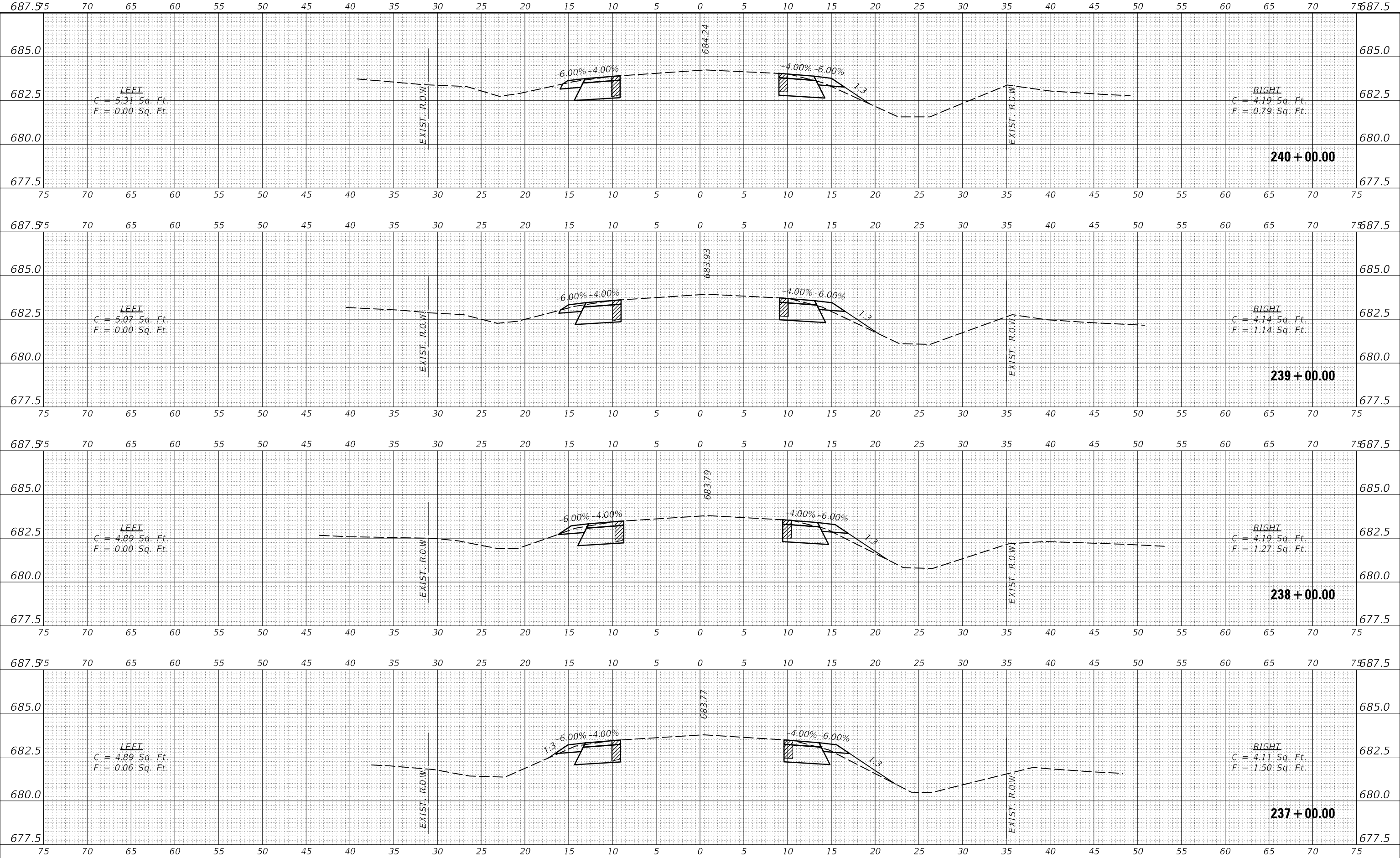
SCALE: SHEET 64 OF 87 SHEETS STA. 221+00.00 TO STA. 224+00.00

F.A.S. RTE.	SECTION	COUNTY	TOTAL SHEETS	SHEET NO.
525	(41,48,81)SR	CHAMPAIGN	131	108
CONTRACT NO. 70D11				
ILLINOIS FED. AID PROJECT				

DATE	
BY	
FINAL SURVEY	SURVEYED
NOTE BOOK	PLOTTED
NO.	TEMPLATE
	AREAS CHECKED

DATE	
BY	
ORIGINAL SURVEY	SURVEYED
NOTE BOOK	PLOTTED
NO.	TEMPLATE
	AREAS CHECKED

MODEL: S:\MODEL\NAMES
 FILE NAME: D:\ILLINOIS\BID\BID\TEC\Illinois\pwr\WDOT\Documents\DOT\Office\Bldg\DOT\Projects\0520D11\CADD\Bldg\Design\0520D11\Left-sec-Ext.dgn



USER NAME = PiersonTJ	DESIGNED -	REVISED -
	DRAWN -	REVISED -
PLOT SCALE = 10.0000' / in.	CHECKED -	REVISED -
PLOT DATE = 1/30/2018	DATE -	REVISED -

**STATE OF ILLINOIS
 DEPARTMENT OF TRANSPORTATION**

BROADLANDS RD CROSS SECTIONS

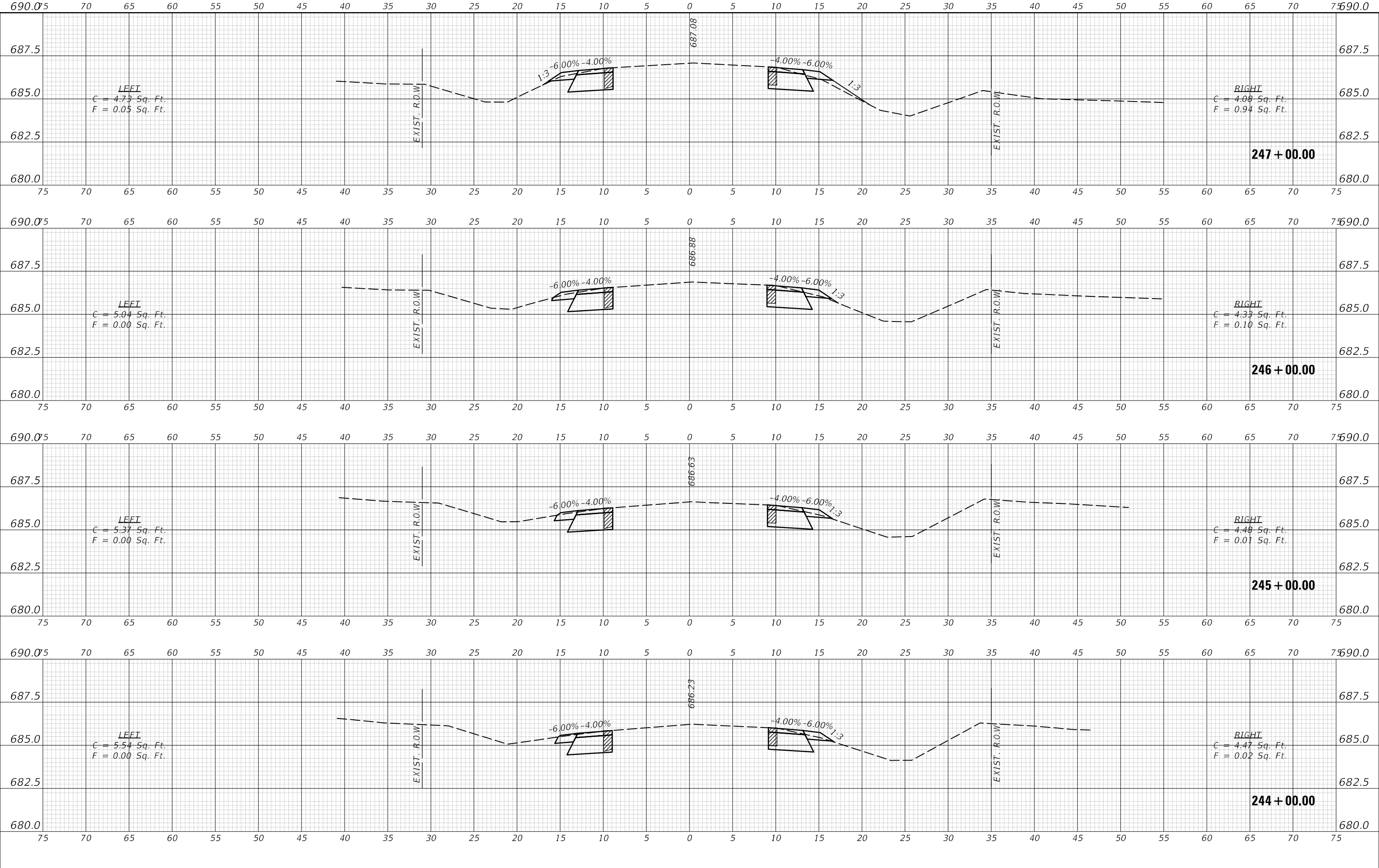
SCALE: SHEET 68 OF 87 SHEETS STA. 237+00.00 TO STA. 240+00.00

F.A.S. RTE. 525	SECTION (41,48,81)SR	COUNTY CHAMPAIGN	TOTAL SHEETS 131	SHEET NO. 112
ILLINOIS FED. AID PROJECT			CONTRACT NO. 70D11	

DATE	
BY	
FINAL SURVEY	SURVEYED
NOTE BOOK	PLOTTED
NO.	TEMPLATE
	AREAS CHECKED

DATE	
BY	
ORIGINAL SURVEY	SURVEYED
NOTE BOOK	PLOTTED
NO.	TEMPLATE
	AREAS CHECKED

MODEL: S:\MODEL\NAMES
 FILE NAME: D:\ILLINOIS\BID\BID\TEC\Illinois\pwr\WIDOT\Documents\DOT\01\11CADData\Design\0520D11\11b-sec-est.dgn



USER NAME = PiersonTJ	DESIGNED -	REVISED -
	DRAWN -	REVISED -
PLOT SCALE = 10.0000' / in.	CHECKED -	REVISED -
PLOT DATE = 1/30/2018	DATE -	REVISED -

**STATE OF ILLINOIS
 DEPARTMENT OF TRANSPORTATION**

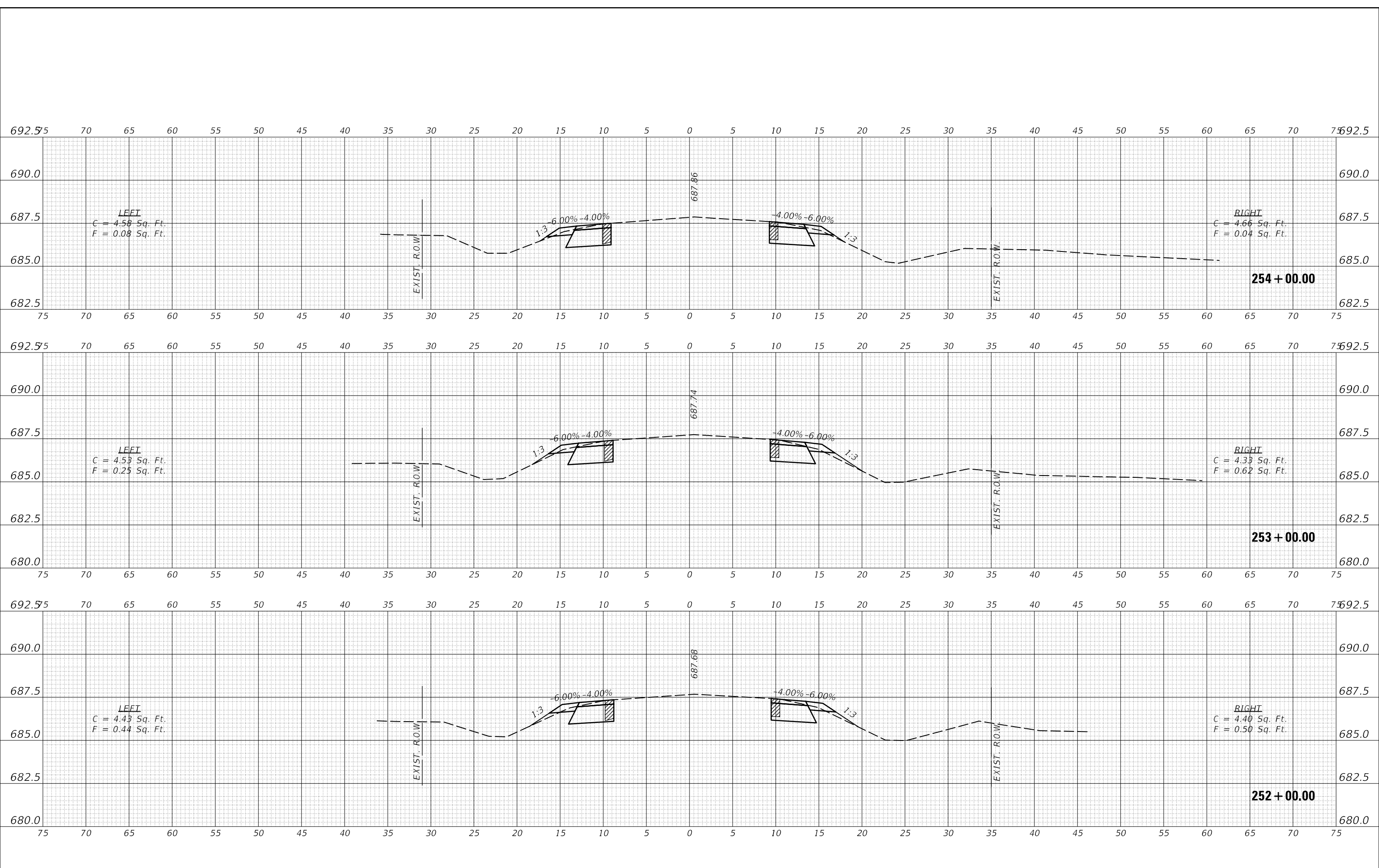
BROADLANDS RD CROSS SECTIONS		
SCALE:	SHEET 70 OF 87 SHEETS	STA. 244+00.00 TO STA. 247+00.00

F.A.S. RTE. 525	SECTION (41,48,81)SR	COUNTY CHAMPAIGN	TOTAL SHEETS 131	SHEET NO. 114
ILLINOIS FED. AID PROJECT			CONTRACT NO. 70D11	

DATE	BY	DATE	BY
FINAL SURVEY	SURVEYED	PLOTTED	TEMPLATE
NOTE BOOK	AREAS CHECKED	AREAS CHECKED	AREAS CHECKED
NO.			

DATE	BY	DATE	BY
ORIGINAL SURVEY	SURVEYED	PLOTTED	TEMPLATE
NOTE BOOK	AREAS CHECKED	AREAS CHECKED	AREAS CHECKED
NO.			

MODEL: S:\MODEL\NAMES
 FILE NAME: D:\ILLINOIS\BID\BID\TEC\Illinois\pwp\WDOT\Documents\DOT\Office\Director_S\Projects\0520011\CADD\Drawings\0520011\csc-est.dgn



USER NAME = Piersontj	DESIGNED -	REVISED -
	DRAWN -	REVISED -
PLOT SCALE = 10.0000' / in.	CHECKED -	REVISED -
PLOT DATE = 1/30/2018	DATE -	REVISED -

**STATE OF ILLINOIS
 DEPARTMENT OF TRANSPORTATION**

BROADLANDS RD CROSS SECTIONS

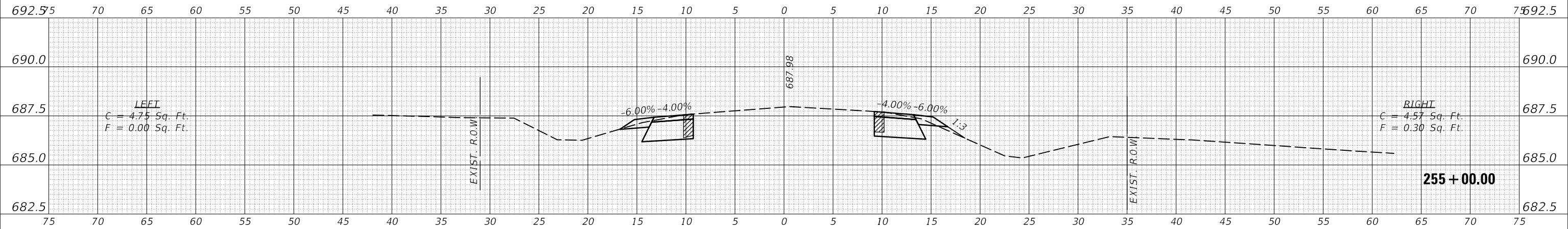
SCALE: SHEET 72 OF 87 SHEETS STA. 252+00.00 TO STA. 254+00.00

F.A.S. RTE.	SECTION	COUNTY	TOTAL SHEETS	SHEET NO.
525	(41,48,81)SR	CHAMPAIGN	131	116
CONTRACT NO. 70D11				
ILLINOIS FED. AID PROJECT				

FINAL SURVEY NO.	SURVEYED PLOTTED AREAS CHECKED	BY	DATE

ORIGINAL SURVEY NO.	SURVEYED PLOTTED AREAS CHECKED	BY	DATE

MODEL: S:\MODEL\NAMES
 FILE NAME: D:\ILLINOIS\BID\BID\TEC\Illinois\pwr\pwr\DOT\Documents\DOT\Office\Illinois\DOT\Projects\DOT\11\CAD\Drawings\DOT\11\Left\sec4-est.dgn



USER NAME = PiersonTJ	DESIGNED -	REVISED -
	DRAWN -	REVISED -
PLOT SCALE = 10.0000 ' / in.	CHECKED -	REVISED -
PLOT DATE = 1/30/2018	DATE -	REVISED -

**STATE OF ILLINOIS
 DEPARTMENT OF TRANSPORTATION**

BROADLANDS RD CROSS SECTIONS

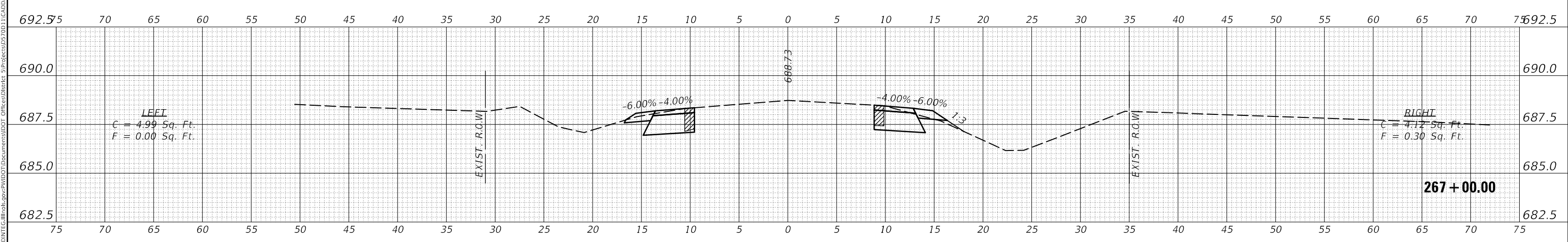
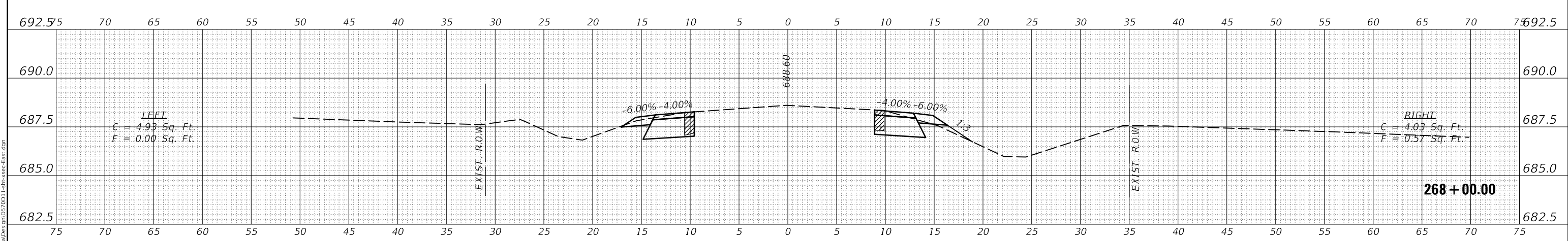
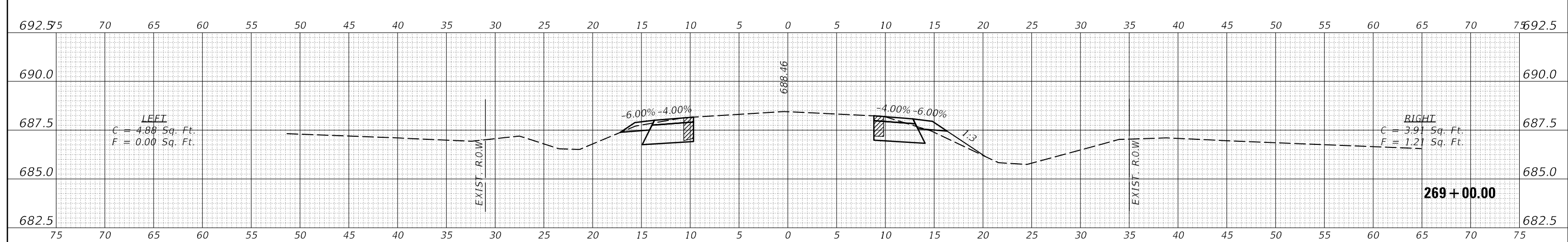
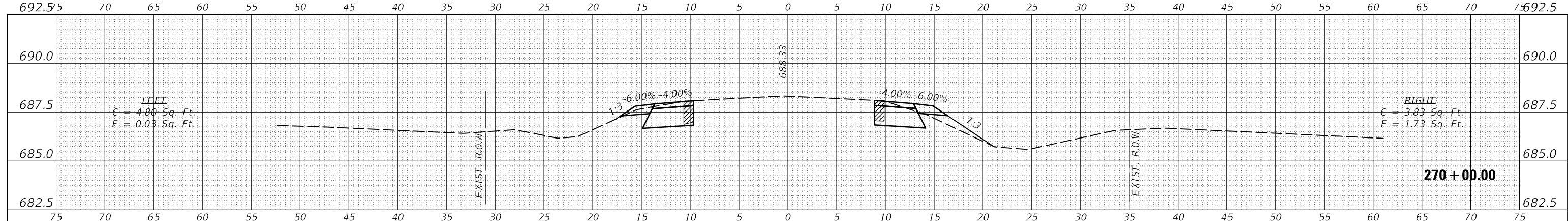
SCALE: SHEET 73 OF 87 SHEETS STA. 255+00.00 TO STA. 255+00.00

F.A.S. RTE.	SECTION	COUNTY	TOTAL SHEETS	SHEET NO.
525	(41,48,81)SR	CHAMPAIGN	131	117
CONTRACT NO. 70D11				
ILLINOIS FED. AID PROJECT				

DATE	
BY	
FINAL SURVEY	SURVEYED
NOTE BOOK	PLOTTED
NO.	TEMPLATE
	AREAS CHECKED

DATE	
BY	
ORIGINAL SURVEY	SURVEYED
NOTE BOOK	PLOTTED
NO.	TEMPLATE
	AREAS CHECKED

MODEL: S:\MODEL\NAME5
 FILE NAME: D:\ILLINOIS\BENTON\TEC\Illinois\pwr\WDOT\Documents\DOT Office\Bentley\311CADData\Design\052011\141b-sec-est.dgn



USER NAME	= PiersonJ
DESIGNED -	REVISOR -
DRAWN -	REVISOR -
PLOT SCALE = 10.0000' / in.	CHECKED -
PLOT DATE = 1/30/2018	DATE -

**STATE OF ILLINOIS
DEPARTMENT OF TRANSPORTATION**

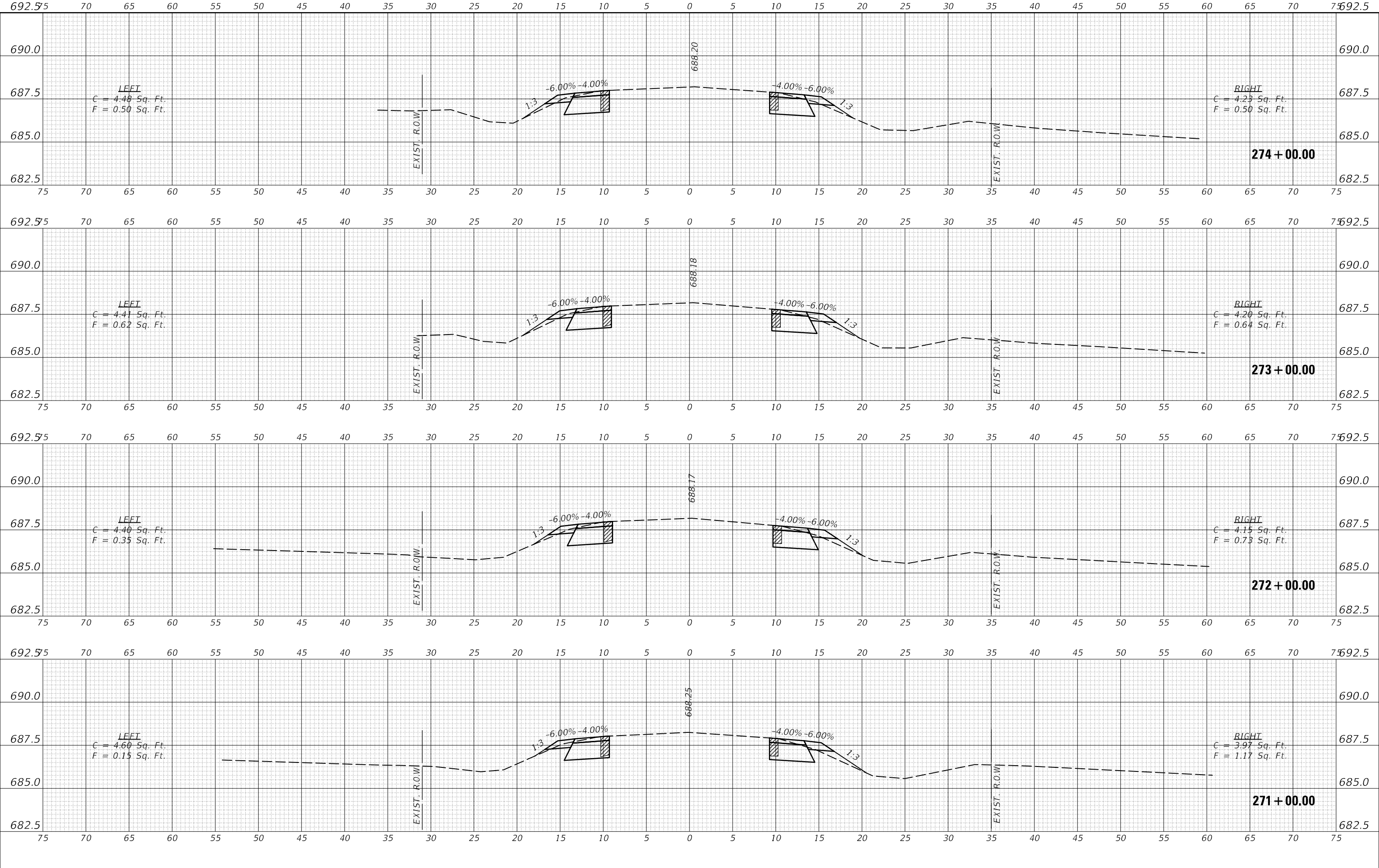
BROADLANDS RD CROSS SECTIONS			
SCALE:	SHEET 77	OF 87	SHEETS
	STA. 267+00.00 TO STA. 270+00.00		

F.A.S. RTE.	SECTION	COUNTY	TOTAL SHEETS	SHEET NO.
525	(41,48,81)SR	CHAMPAIGN	131	121
				CONTRACT NO. 70D11
				ILLINOIS FED. AID PROJECT

DATE	
BY	
FINAL SURVEY	
SURVEYED	
PLOTTED	
TEMPLATE	
NOTE BOOK	
AREAS CHECKED	
NO.	

DATE	
BY	
ORIGINAL SURVEY	
SURVEYED	
PLOTTED	
TEMPLATE	
NOTE BOOK	
AREAS CHECKED	
NO.	

MODEL: S:\MODEL\NAMES
 FILE NAME: D:\ILLINOIS\BROADLANDS\BROADLANDS\ROAD\DATA\DESIGN\0520D11\1111b-sec-est.dgn



USER NAME = PiersonTJ	DESIGNED -	REVISED -
	DRAWN -	REVISED -
PLOT SCALE = 10.0000' / in.	CHECKED -	REVISED -
PLOT DATE = 1/30/2018	DATE -	REVISED -

**STATE OF ILLINOIS
DEPARTMENT OF TRANSPORTATION**

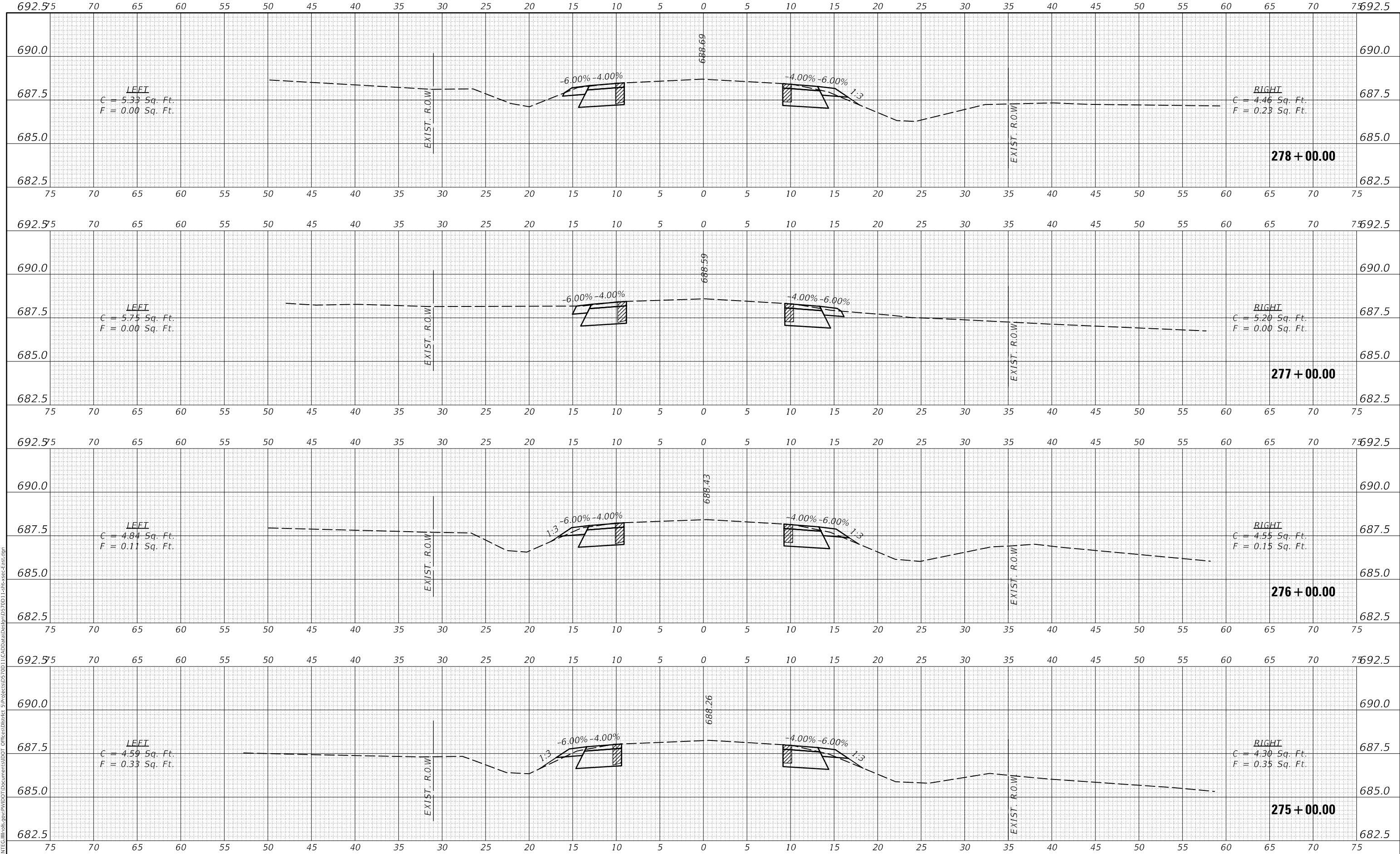
BROADLANDS RD CROSS SECTIONS	
SCALE:	SHEET 78 OF 87 SHEETS STA. 271+00.00 TO STA. 274+00.00

F.A.S. RTE.	SECTION	COUNTY	TOTAL SHEETS	SHEET NO.
525	(41,48,81)SR	CHAMPAIGN	131	122
CONTRACT NO. 70D11				
ILLINOIS / FED. AID PROJECT				

DATE	
BY	
FINAL SURVEY	SURVEYED
NOTE BOOK	PLOTTED
NO.	TEMPLATE
	AREAS CHECKED

DATE	
BY	
ORIGINAL SURVEY	SURVEYED
NOTE BOOK	PLOTTED
NO.	TEMPLATE
	AREAS CHECKED

MODEL: S:\MODEL\NAMES
FILE NAME: D:\ILLINOIS\BID\BID\TEC\Illinois\pwr\WDO1\Documents\DOT\Documents\DOT\Illinois\pwr\WDO1\11CADData\Design\0520D11\Left-sec-Ext.dgn



USER NAME = PiersonTJ	DESIGNED -	REVISED -
	DRAWN -	REVISED -
PLOT SCALE = 10.0000' / in.	CHECKED -	REVISED -
PLOT DATE = 1/30/2018	DATE -	REVISED -

**STATE OF ILLINOIS
DEPARTMENT OF TRANSPORTATION**

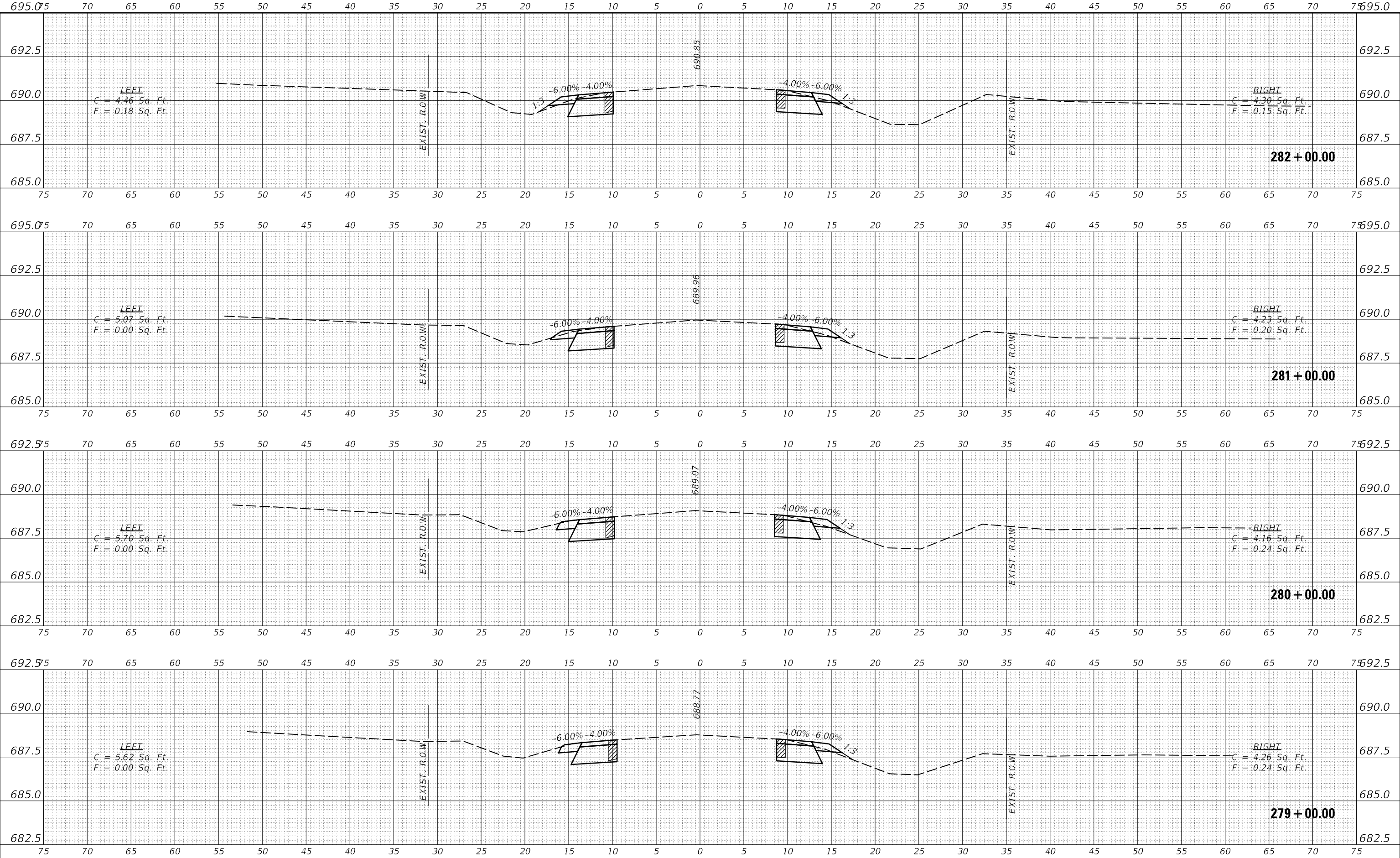
BROADLANDS RD CROSS SECTIONS		
SCALE:	SHEET 79 OF 87 SHEETS	STA. 275+00.00 TO STA. 278+00.00

F.A.S. RTE.	SECTION	COUNTY	TOTAL SHEETS	SHEET NO.
525	(41,48,81)SR	CHAMPAIGN	131	123
ILLINOIS FED. AID PROJECT			CONTRACT NO. 70D11	

DATE	
BY	
FINAL SURVEY	SURVEYED
NOTE BOOK	PLOTTED
NO.	TEMPLATE
	AREAS CHECKED

DATE	
BY	
ORIGINAL SURVEY	SURVEYED
NOTE BOOK	PLOTTED
NO.	TEMPLATE
	AREAS CHECKED

MODEL: S:\MODEL\NAMES
 FILE NAME: D:\ILLINOIS\BID\BID\TEC\Illinois\pwr\pwr\DOT\Documents\DOT\Office\District 3\Projects\0570D11\CADD\Drawings\0570D11\Left-sec-est.dgn



USER NAME = PiersonTJ	DESIGNED -	REVISED -
	DRAWN -	REVISED -
PLOT SCALE = 10.0000' / in.	CHECKED -	REVISED -
PLOT DATE = 1/30/2018	DATE -	REVISED -

**STATE OF ILLINOIS
DEPARTMENT OF TRANSPORTATION**

BROADLANDS RD CROSS SECTIONS

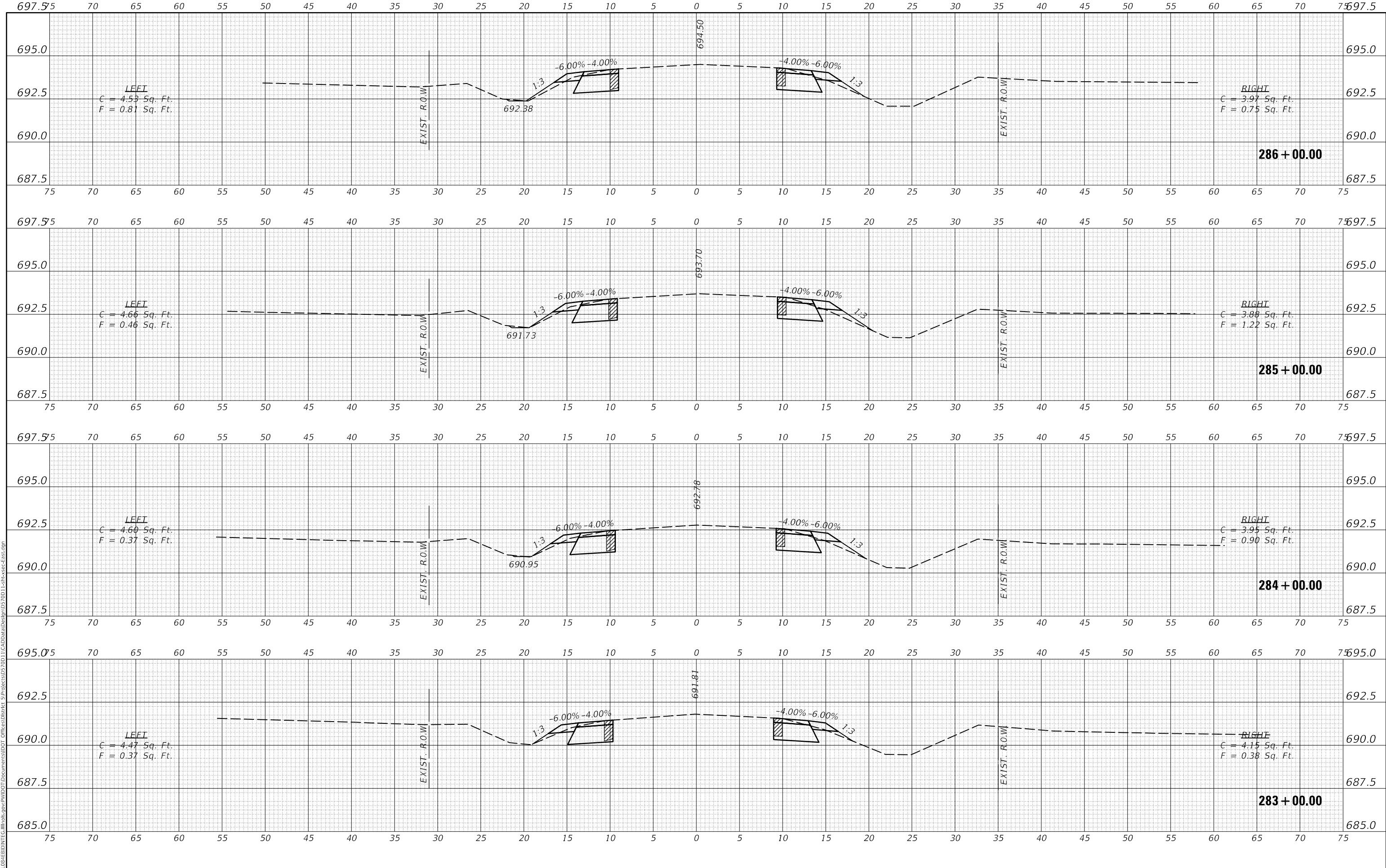
SCALE: SHEET 80 OF 87 SHEETS STA. 279+00.00 TO STA. 282+00.00

F.A.S. RTE.	SECTION	COUNTY	TOTAL SHEETS	SHEET NO.
525	(41,48,81)SR	CHAMPAIGN	131	124
			CONTRACT NO. 70D11	
ILLINOIS			FED. AID PROJECT	

DATE	
BY	
FINAL SURVEY	SURVEYED
NOTE BOOK	PLOTTED
NO.	TEMPLATE
	AREAS CHECKED

DATE	
BY	
ORIGINAL SURVEY	SURVEYED
NOTE BOOK	PLOTTED
NO.	TEMPLATE
	AREAS CHECKED

MODEL: S:\MODEL\NAME5
 FILE NAME: D:\ILLINOIS\BID\BID\TEC\Illinois\pwr\WIDOT\Documents\110701\11CADData\Design\0520D1\11a1b-sec-est.dgn



USER NAME = PiersonTJ	DESIGNED -	REVISED -
	DRAWN -	REVISED -
PLOT SCALE = 10.0000' / in.	CHECKED -	REVISED -
PLOT DATE = 1/30/2018	DATE -	REVISED -

**STATE OF ILLINOIS
 DEPARTMENT OF TRANSPORTATION**

BROADLANDS RD CROSS SECTIONS

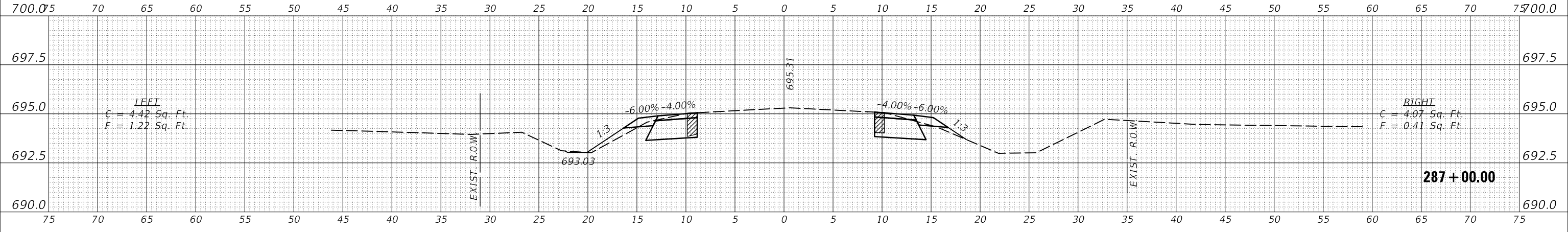
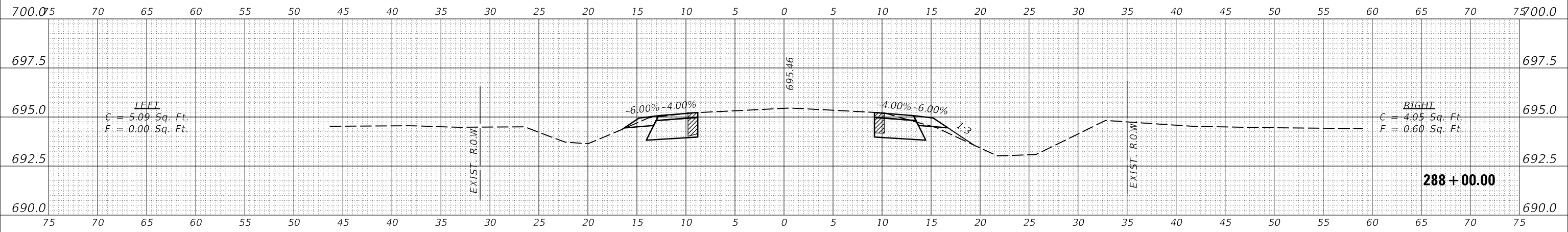
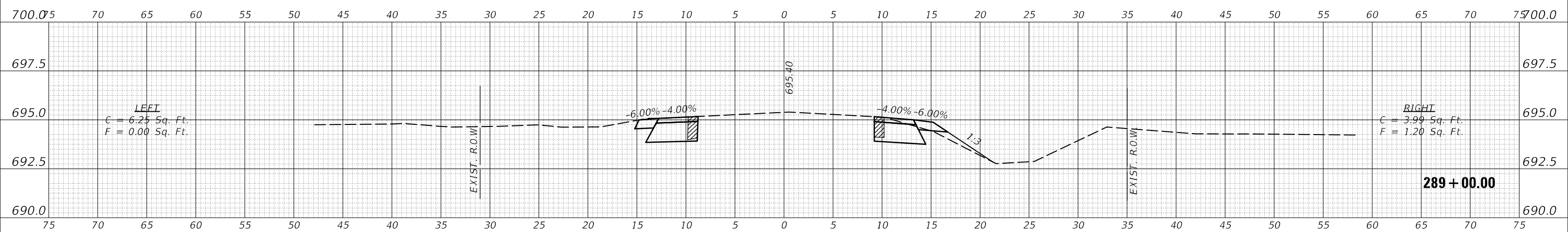
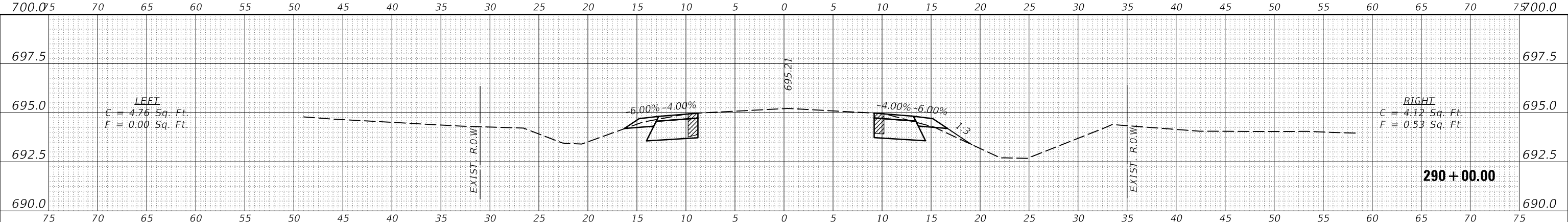
SCALE: SHEET 81 OF 87 SHEETS STA. 283+00.00 TO STA. 286+00.00

F.A.S. RTE.	SECTION	COUNTY	TOTAL SHEETS	SHEET NO.
525	(41,48,81)SR	CHAMPAIGN	131	125
				CONTRACT NO. 70D11
		ILLINOIS	FED. AID PROJECT	

DATE	
BY	
FINAL SURVEY	SURVEYED
NOTE BOOK	PLOTTED
NO.	TEMPLATE
	AREAS CHECKED

DATE	
BY	
ORIGINAL SURVEY	SURVEYED
NOTE BOOK	PLOTTED
NO.	TEMPLATE
	AREAS CHECKED

MODEL: \$MODELNAME\$
 FILE NAME: D:\ILLINOIS\BID\BID\TEC\Illinois\pwp\WDOT\Documents\DOT\Office\District 5\Projects\0570D11\CADD\Drawings\0570D11\11b-sec-est.dgn



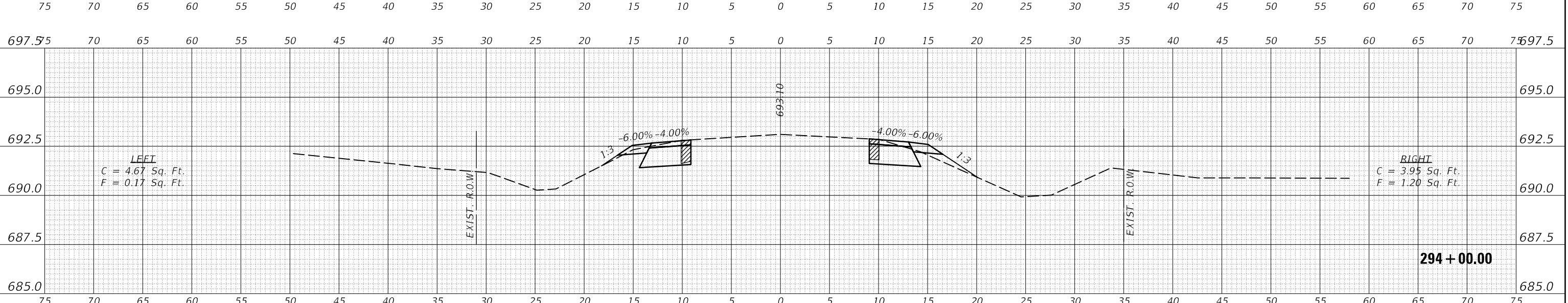
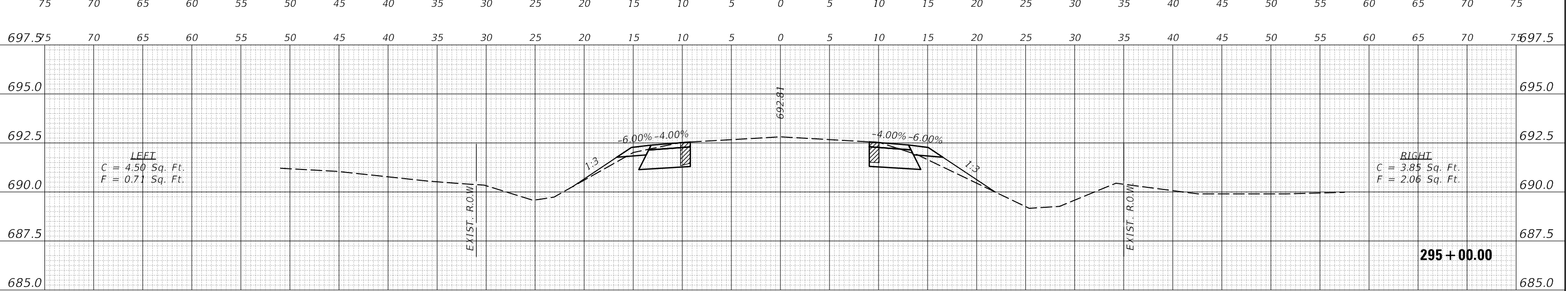
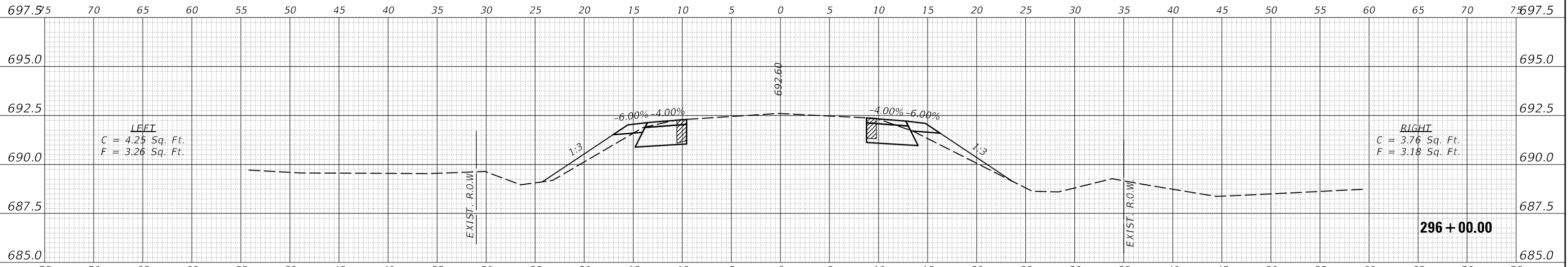
USER NAME	= PiersontJ	DESIGNED -	REVISED -
		DRAWN -	REVISED -
PLOT SCALE	= 10.0000' / in.	CHECKED -	REVISED -
PLOT DATE	= 1/30/2018	DATE -	REVISED -

**STATE OF ILLINOIS
DEPARTMENT OF TRANSPORTATION**

BROADLANDS RD CROSS SECTIONS

SCALE: SHEET 82 OF 87 SHEETS STA. 287+00.00 TO STA. 290+00.00

F.A.S. RTE.	SECTION	COUNTY	TOTAL SHEETS	SHEET NO.
525	(41,48,81)SR	CHAMPAIGN	131	126
				CONTRACT NO. 70D11
				ILLINOIS FED. AID PROJECT



DATE	BY

DATE	BY

MODEL: S:\MODEL\NAMES
FILE NAME: D:\ALL\BIBID\TEC\Illinois\pwr\PROJECTS\70D11\CADD\Drawings\70D11\CRS-EST-87.dwg

USER NAME = PiersonTJ	DESIGNED -	REVISED -
PLOT SCALE = 10.0000' / in.	DRAWN -	REVISED -
PLOT DATE = 1/30/2018	CHECKED -	REVISED -
	DATE -	REVISED -

**STATE OF ILLINOIS
DEPARTMENT OF TRANSPORTATION**

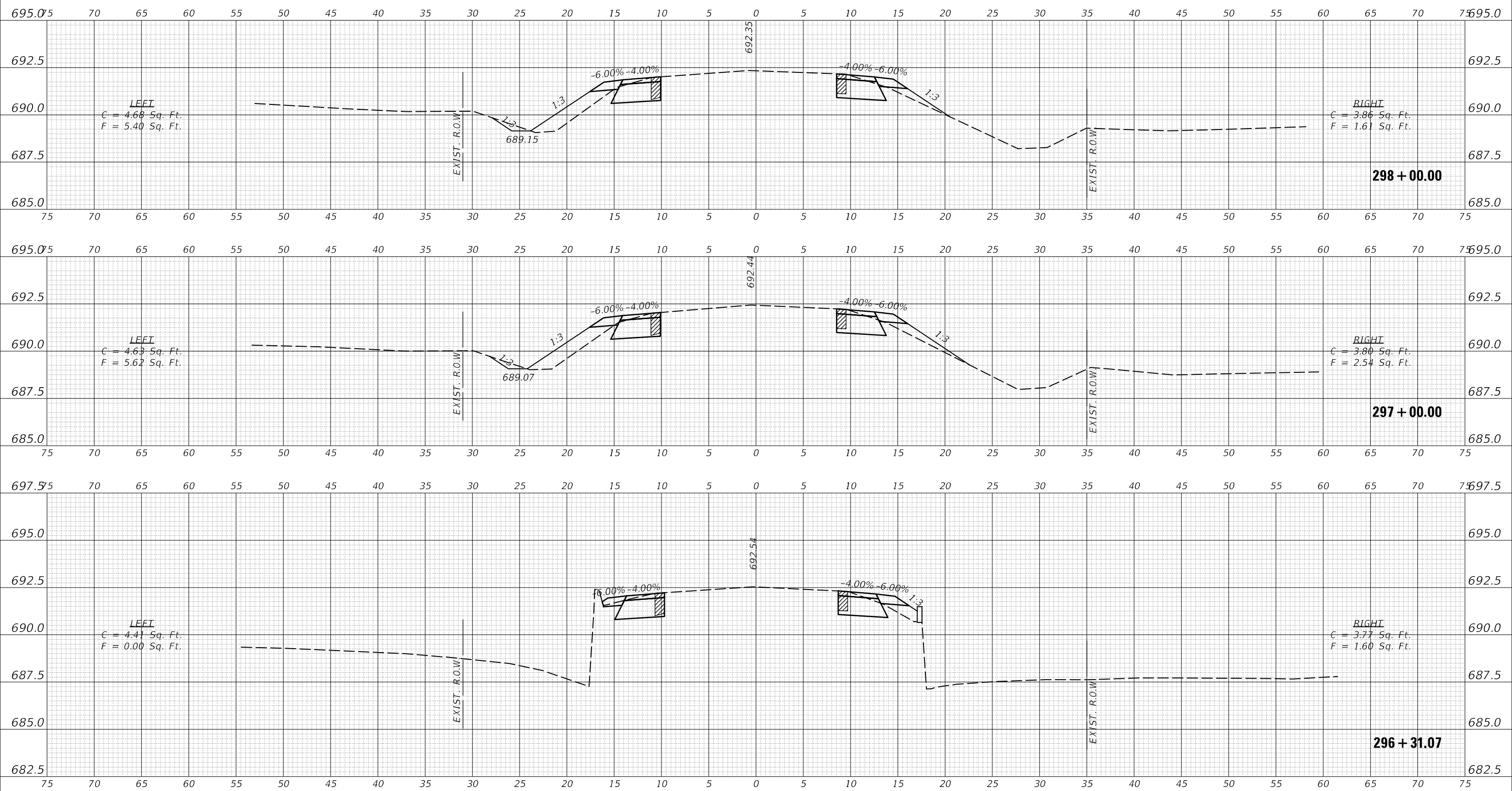
SCALE:	SHEET 84 OF 87 SHEETS	STA. 294+00.00 TO STA. 296+00.00
--------	-----------------------	----------------------------------

F.A.S. RTE. 525	SECTION (41,48,81)SR	COUNTY CHAMPAIGN	TOTAL SHEETS 131	SHEET NO. 128
			CONTRACT NO. 70D11	
ILLINOIS			FED. AID PROJECT	

MODEL: S:\MODEL\NAME'S
FILE NAME: D:\ILLUSTRATIONS\I:\Illinois\pwr\70D11\CADD\Drawn\Design\0520D11\left-cross-sec.dwg

DATE	BY	SURVEYED	PLOTTED	TEMPLATE	AREAS CHECKED
FINAL	NO. 1	NO. 1	NO. 1	NO. 1	NO. 1
SURVEY	NOTE BOOK	NOTE BOOK	NOTE BOOK	NOTE BOOK	NOTE BOOK

DATE	BY	SURVEYED	PLOTTED	TEMPLATE	AREAS CHECKED
ORIGINAL	NO. 1	NO. 1	NO. 1	NO. 1	NO. 1
SURVEY	NOTE BOOK	NOTE BOOK	NOTE BOOK	NOTE BOOK	NOTE BOOK



USER NAME = PiersontJ	DESIGNED -	REVISED -
PLOT SCALE = 10.0000' / in.	DRAWN -	REVISED -
PLOT DATE = 1/30/2018	CHECKED -	REVISED -
	DATE -	REVISED -

**STATE OF ILLINOIS
DEPARTMENT OF TRANSPORTATION**

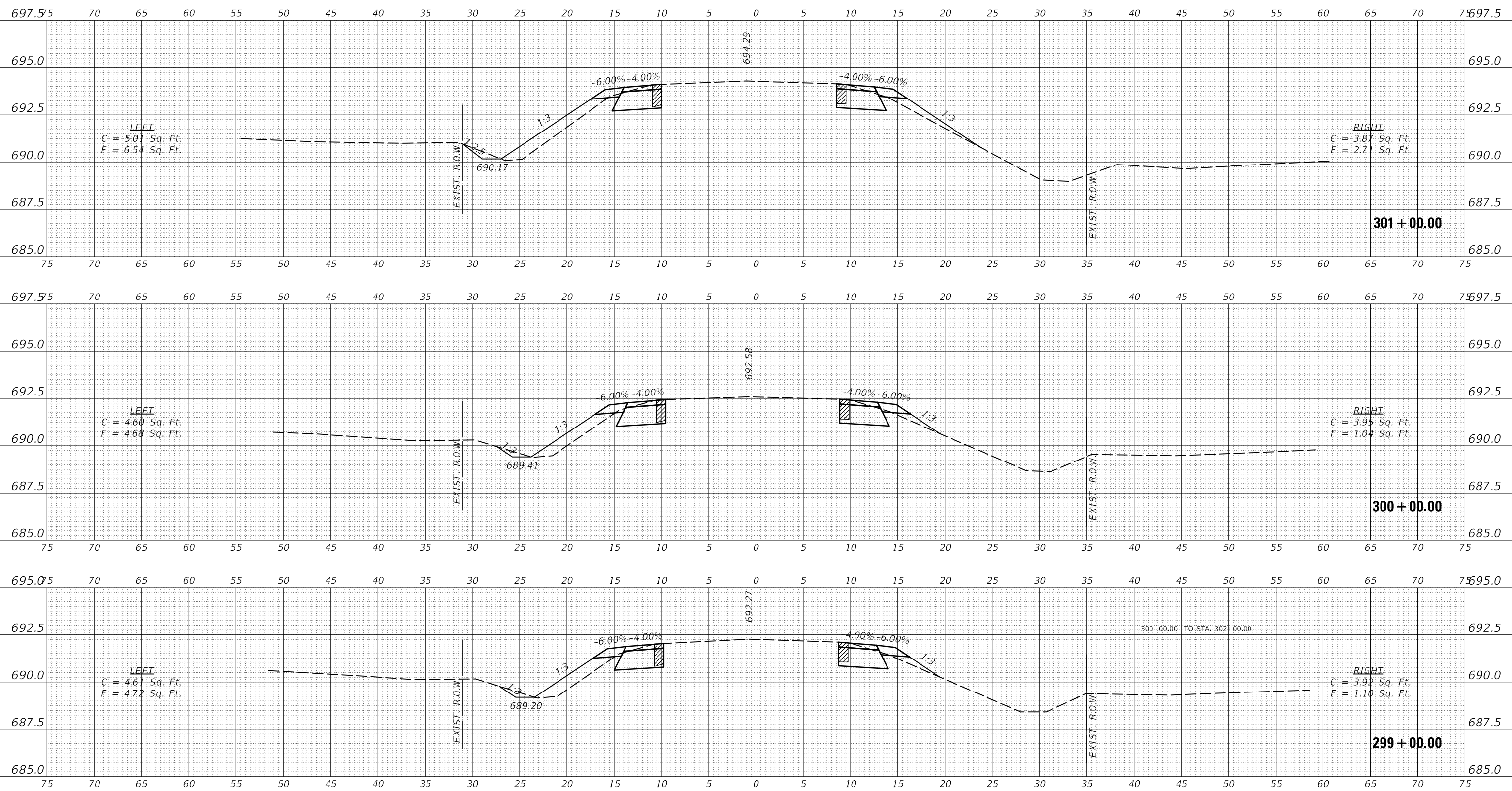
BROADLANDS RD CROSS SECTIONS	
SCALE:	SHEET 85 OF 87 SHEETS STA. 296+31.09 TO STA. 298+00.00

F.A.S. RTE.	SECTION	COUNTY	TOTAL SHEETS	SHEET NO.
525	(41,48,81)SR	CHAMPAIGN	131	129
ILLINOIS FED. AID PROJECT			CONTRACT NO. 70D11	

DATE	
BY	
FINAL SURVEY	SURVEYED
NOTE BOOK	PLOTTED
NO.	TEMPLATE
	AREAS CHECKED
	AREAS CHECKED

DATE	
BY	
ORIGINAL SURVEY	SURVEYED
NOTE BOOK	PLOTTED
NO.	TEMPLATE
	AREAS CHECKED
	AREAS CHECKED

MODEL: S:\MODEL\NAMES
 FILE NAME: D:\ILLINOIS\BID\BID\TEC\Illinois\pwr\WIDOT\Documents\DOT\Office\District 3\Project\052011\CADD\Drawings\052011\Left-sec-Ext.dgn



USER NAME = PjersonTJ	DESIGNED -	REVISED -
	DRAWN -	REVISED -
PLOT SCALE = 10.0000' / in.	CHECKED -	REVISED -
PLOT DATE = 1/30/2018	DATE -	REVISED -

**STATE OF ILLINOIS
 DEPARTMENT OF TRANSPORTATION**

BROADLANDS RD CROSS SECTIONS

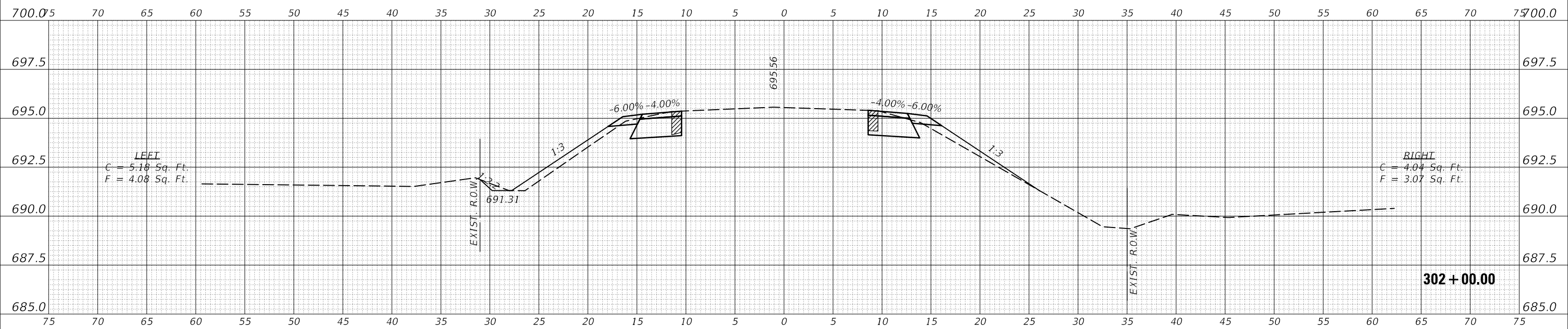
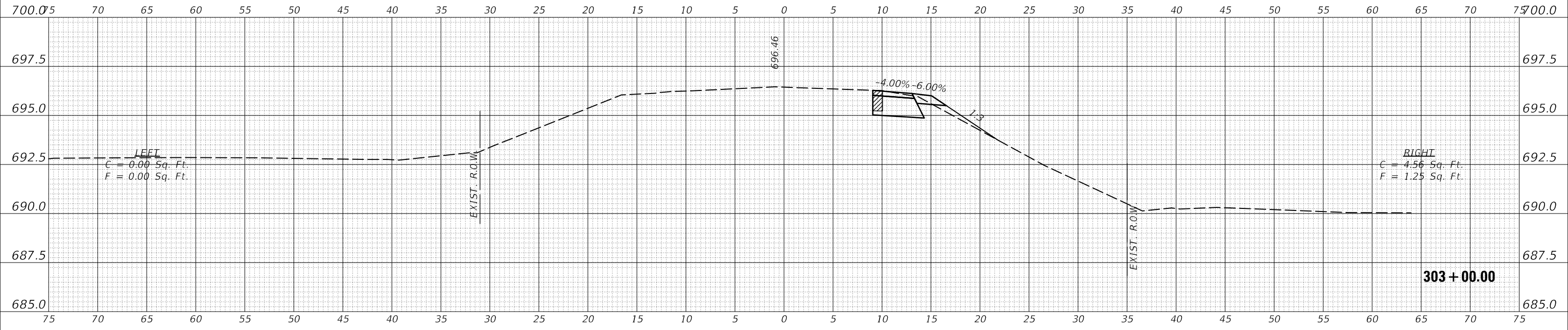
SCALE: SHEET 86 OF 87 SHEETS STA. 299+00.00 TO STA. 301+00.00

F.A.S. RTE.	SECTION	COUNTY	TOTAL SHEETS	SHEET NO.
525	(41,48,81)SR	CHAMPAIGN	131	130
			CONTRACT NO. 70D11	
ILLINOIS FED. AID PROJECT				

FINAL SURVEY NO.	SURVEYED	DATE
NOTE BOOK	PLOTTED	BY
NO.	TEMPLATE	
	AREAS CHECKED	
	AREAS CHECKED	

ORIGINAL SURVEY NO.	SURVEYED	DATE
NOTE BOOK	PLOTTED	BY
NO.	TEMPLATE	
	AREAS CHECKED	
	AREAS CHECKED	

MODEL: S:\MODEL\NAMES
 FILE NAME: D:\ILLINOIS\BROADLANDS\BROADLANDS\PROJECTS\052011\CADD\DATA\Design\052011\Left-Cross-Section.dgn



USER NAME = PiersonTJ	DESIGNED -	REVISED -
	DRAWN -	REVISED -
PLOT SCALE = 10.0000 ' / in.	CHECKED -	REVISED -
PLOT DATE = 1/30/2018	DATE -	REVISED -

**STATE OF ILLINOIS
 DEPARTMENT OF TRANSPORTATION**

BROADLANDS RD CROSS SECTIONS			
SCALE:	SHEET 87 OF 87 SHEETS	STA. 302+00.00 TO STA. 303+00.00	

F.A.S. RTE.	SECTION	COUNTY	TOTAL SHEETS	SHEET NO.
525	(41,48,81)SR	CHAMPAIGN	131	131
CONTRACT NO. 70D11				
ILLINOIS FED. AID PROJECT				