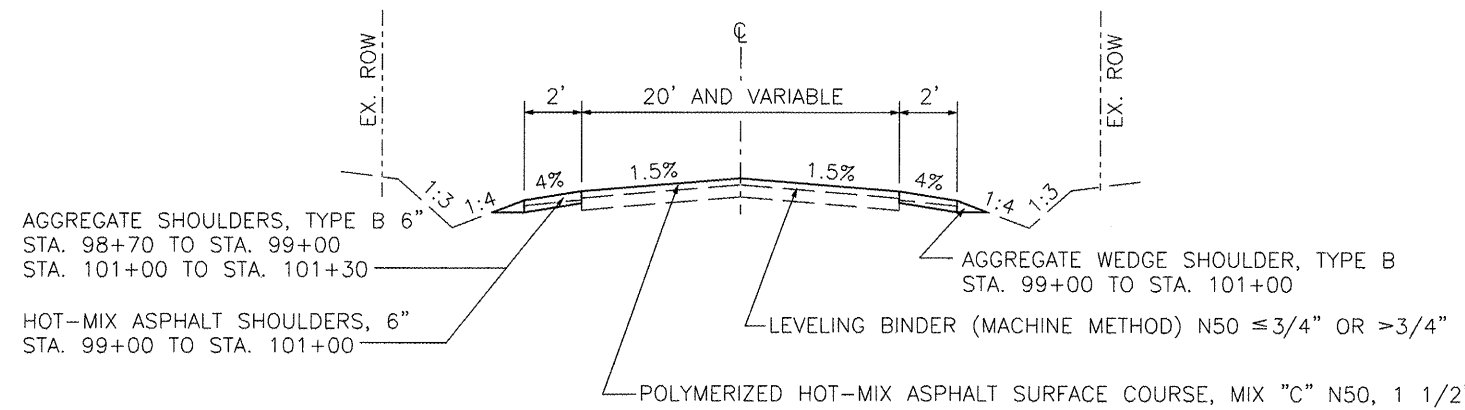


**EXISTING TYPICAL SECTION - COOPER ROAD**



**PROPOSED TYPICAL SECTION - COOPER ROAD**

STA. 98+70 TO STA. 99+88  
STA. 100+12 TO STA. 101+30

STRUCTURAL DESIGN TRAFFIC:	Year	<u>2022</u>
PV = <u>1623</u>	SU = <u>88</u>	MU = <u>53</u>
ROAD/STREET CLASSIFICATION:	Class	<u>III</u>
PERCENT OF STRUCTURAL DESIGN TRAFFIC IN DESIGN LANE:	P = <u>100</u>	S = <u>100</u> M = <u>100</u>
TRAFFIC FACTOR:	Actual TF =	<u>0.30</u>
PG GRADE:	Binder = <u>PG 64-22</u>	Surface = <u>PG 64-22</u>
SUBGRADE SUPPORT RATING:	SSR =	<u>Poor</u>

FILE NAME =  
X:\PROJECTS\  
2007705506\DDN\DEEMACK-COOPER\  
PLANS-REFS\TYPICAL SECTIONS.DGN

USER NAME =	DESIGNED - REW	REVISED -
	DRAWN - KRS, DLC	REVISED -
PLOT SCALE =	CHECKED - KMC	REVISED -
PLOT DATE = 2/24/2012	DATE -	REVISED -

**STATE OF ILLINOIS  
DEPARTMENT OF TRANSPORTATION**

**TAZEWELL COUNTY - DEE-MACK ROAD AND COOPER ROAD  
INTERSECTION IMPROVEMENTS  
COOPER ROAD - TYPICAL SECTIONS**

F.A.S. RTE.	SECTION	COUNTY	TOTAL SHEETS	SHEET NO.
470	10-00076-00 RS	TAZEWELL	38	4

SCALE: SHEET NO. OF SHEETS STA. TO STA.

ILLINOIS FED. AID PROJECT