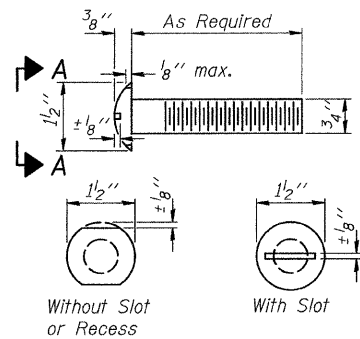
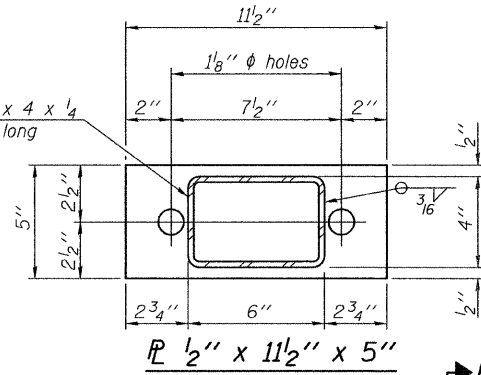


FOR RAIL POST SPACING SEE SH.#5 OF 11



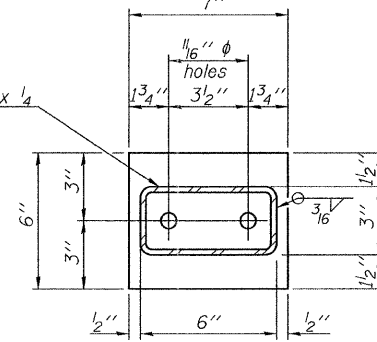
VIEW A-A
ROUND HEAD BOLT

HSS 6 x 4 x 1/4
x 3 3/2" long

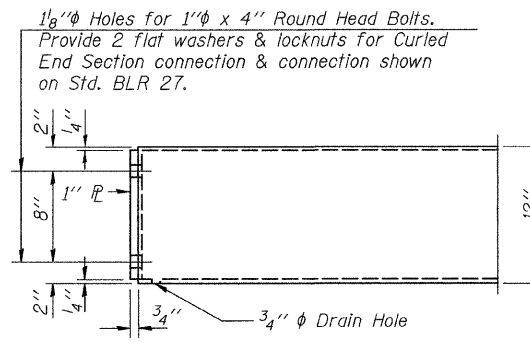


PL 1/2" x 11 1/2" x 5"

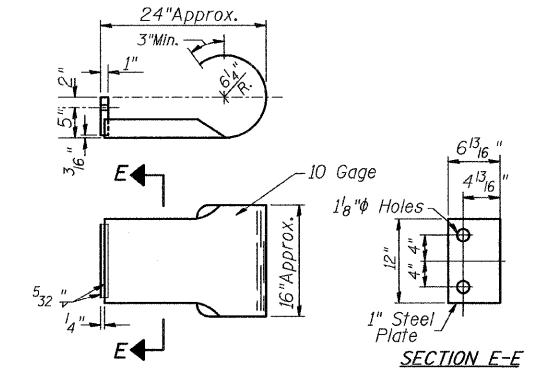
HSS 6 x 3 x 1/4
x 3 3/8" long



PL 1/2" x 7" x 6"



END OF RAIL DETAILS



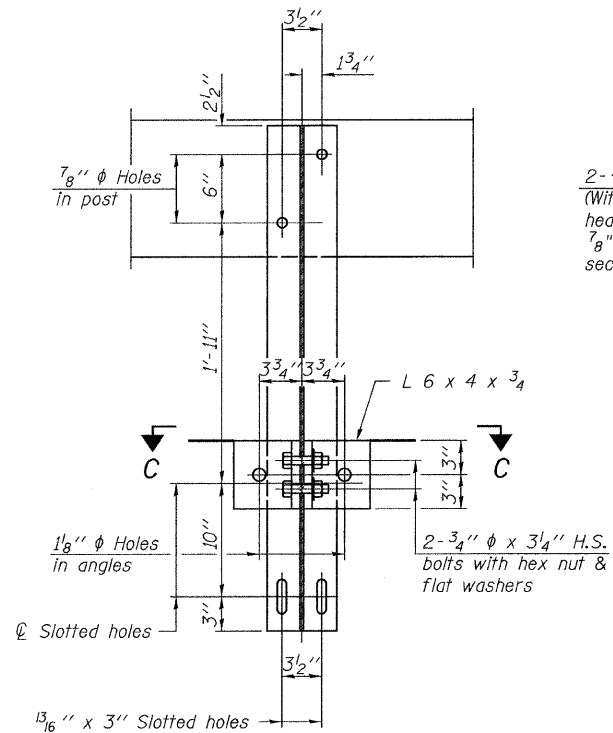
SECTION E-E
CURLED END SECTION

(3 Req'd) Cost Included with Steel Railing, Type S-1.
Terminal Markers - Direct Applied shall be placed on end of each Curled End Section (N.E., S.E., & N.W. Corners) & Traffic Barrier Terminal, Type 1 (Special) Tangent (S.W. Corner). Cost included with item the Terminal Marker is applied to.

NOTES

All field drilled holes shall be coated with an approved zinc rich paint before erection.
For multi-span bridges, sufficient 1/4" x 6" x 1'-2" galvanized steel shims shall be provided to align rail between adjacent spans. Cost included with Steel Railing, Type S-1.
All steel rail elements shall be galvanized according to Article 509.05 of the Standard Specifications.

*** The studs of the anchor devices shall be placed below the top reinforcement bars and the outermost longitudinal reinforcement bar shall be placed directly above the studs of the rail post anchor device.



SECTION B-B

2- 3/4" φ x 6" Round Head Bolts
(With slot or approved recess in head) with locknut & flat washer.
7/8" φ holes in hollow structural section may be drilled in the field.

W6 x 25

1 3/16" x 5 1/2" Slotted hole in post

1 3/16" φ Holes in angles

2- 1" φ x 7 3/4" AASHTO M-164 anchor bolts with flat washer and lock washer

2- 5/8" φ x 5 3/4" cap screws with flat washer

1 3/16" x 3" Slotted holes

1 3/16" x 5 1/2" Slotted hole in post

1 3/16" φ Holes in angles and plate

1 3/16" x 5 1/2" Slotted hole in post

1 3/16" x 5 1/2" Slotted hole in post

1 3/16" x 5 1/2" Slotted hole in post

1 3/16" x 5 1/2" Slotted hole in post

1 3/16" x 5 1/2" Slotted hole in post

1 3/16" x 5 1/2" Slotted hole in post

1 3/16" x 5 1/2" Slotted hole in post

1 3/16" x 5 1/2" Slotted hole in post

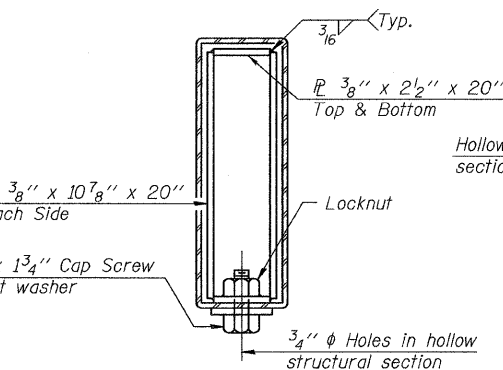
1 3/16" x 5 1/2" Slotted hole in post

1 3/16" x 5 1/2" Slotted hole in post

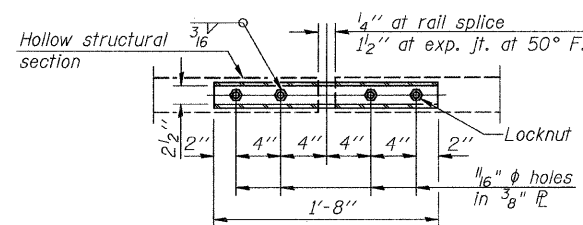
1 3/16" x 5 1/2" Slotted hole in post

1 3/16" x 5 1/2" Slotted hole in post

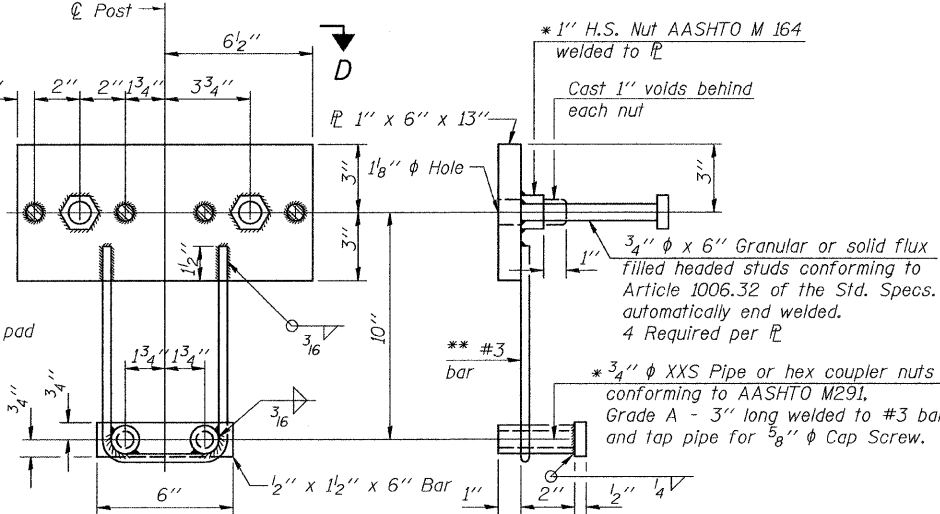
SECTION AT RAILING POST



SECTIONS AT RAIL SPLICE



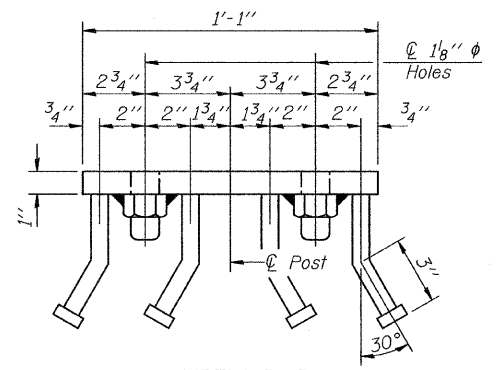
PLAN-BOTT. SPLICE PL
TYPICAL



ANCHOR DEVICE

* Threaded areas shall be plugged or blocked off during casting of beam.

** Whenever the lower insert assemblies interfere with strand locations, the #3 bars shall be cut and adjusted in order to allow raising or lowering of the lower inserts. Maximum adjustment not to exceed 1/2".



VIEW D-D

BILL OF MATERIAL

Item	Unit	Quantity
Steel Railing, Type S-1	FOOT	143

STEEL RAILING, TYPE S-1
BUREAU COUNTY
SECTION 11-07119-00-BR
T.R. 55 OVER UNION DITCH

SHEET NO. 4	ROUTE NO.	SECTION	COUNTY	TOTAL SHEETS	SHEET NO.
	TR 55	11-07119-00-BR	BUREAU	21	10
11 SHEETS	S.N. 006-4096		CONTRACT NO. 87499		
FED. ROAD DIST. NO. 7		ILLINOIS	FED. AID PROJECT BRS-0011(083)		