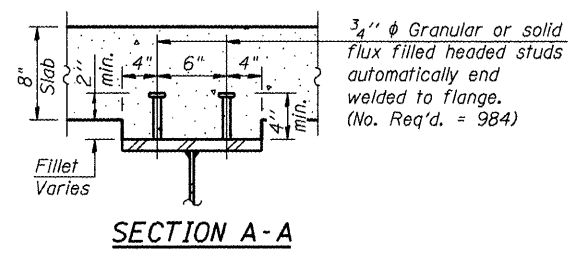
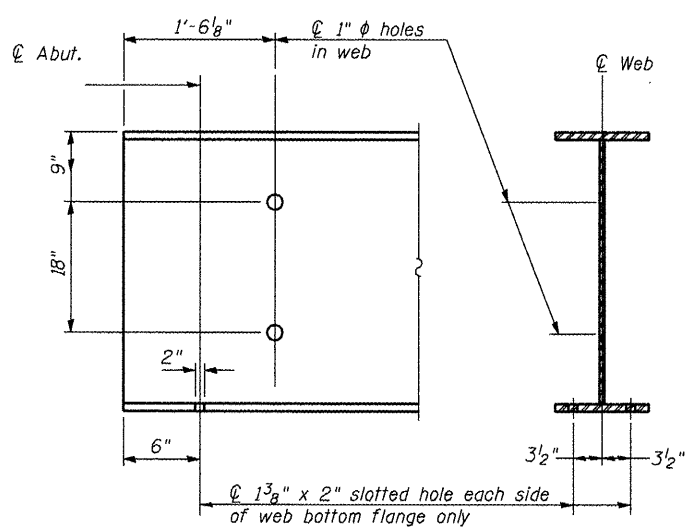


ELEVATION AT ABUTMENT
FIXED BEARING

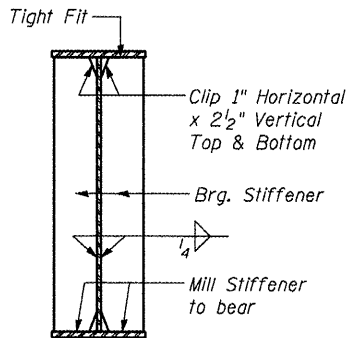
Notes:
Anchor bolts shall be ASTM F1554 all-thread (or an Engineer approved alternate material) of the grade(s) and diameter(s) specified. The corresponding specified grade of AASHTO M314 anchor bolts may be used in lieu of ASTM F1554.
Anchor bolts at fixed bearings may be either cast in place or installed in holes drilled after the supported member is in place.
Drilled and set anchor bolts shall be installed according to Article 521.06 of the Standard Specifications.



SECTION A-A

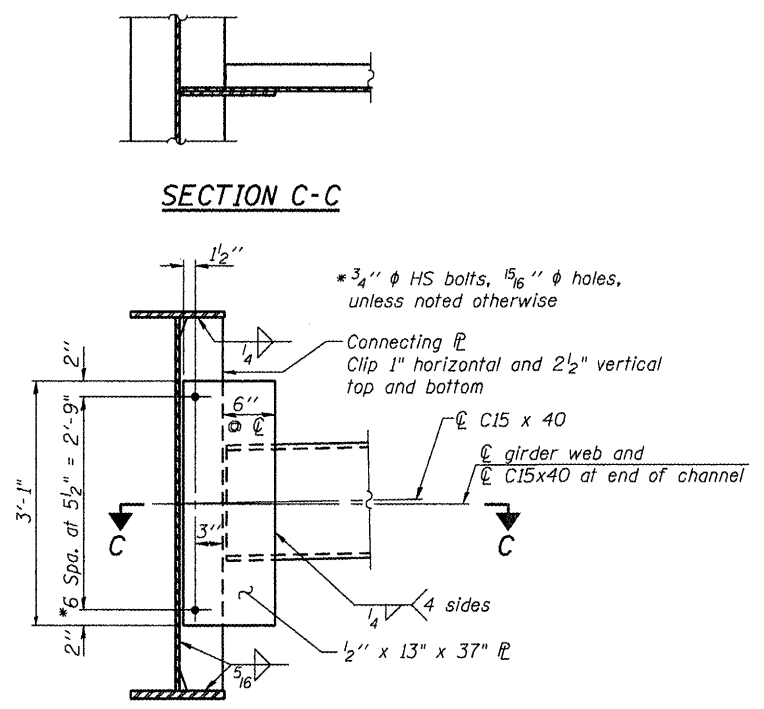


END OF GIRDER DETAIL
(Showing required hole locations)



SECTION AT ABUTMENT

**Diaphragm connecting plate
***Bearing stiffener each side of web

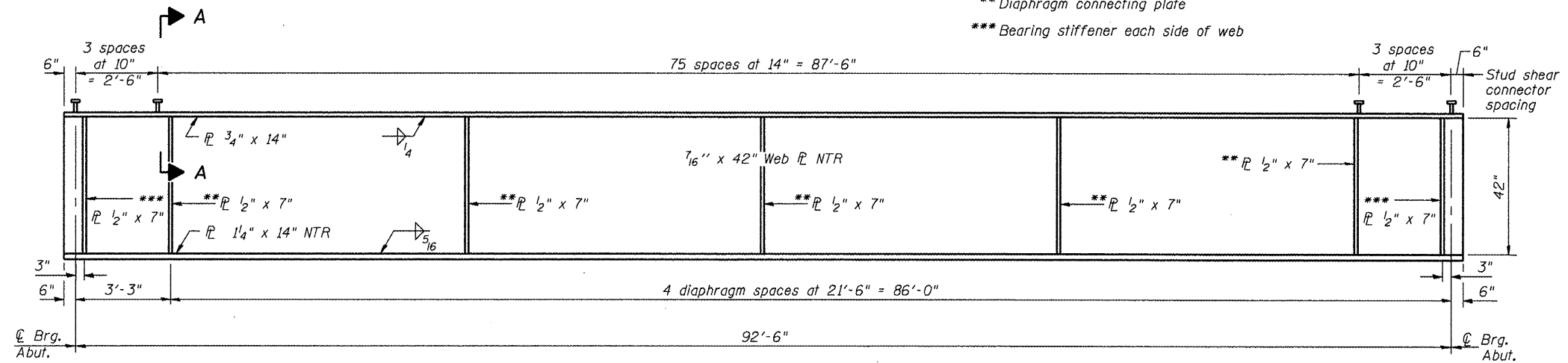


INTERIOR DIAPHRAGMS D & D1
(25 req'd: 20 - D, 5 - D1)

Notes:
Two hardened washers required for each set of oversized and slotted holes.
Alternate channels C15x50 are permitted to facilitate material acquisition. Calculated weight of structural steel is based on C15x40 sections. The alternate, if utilized, shall be provided at no extra cost to the department.
Diaphragm D1 is similar to Diaphragm D except that the connecting plate welded to girder and the 1/2" plate welded to diaphragm shall both have 1 3/16" x 1 7/8" slotted holes with 1/4" plate washers covering the entire slot. The bolts for the slotted holes shall only be finger tight prior to pouring the deck and then tightened after completion of the pour. The slots shall be positioned so the bolts start at one end of the slot with no concrete load and finish near the opposite end under deck load.
All diaphragms shall be installed as steel is erected and secured with erection pins and bolts except as otherwise noted. Individual diaphragms at supports may be temporarily disconnected to install bearing anchor rods.
The girders will not be cambered.

BILL OF MATERIAL

Item	Unit	Each
Anchor Bolts, 1"	Each	24



SECTION A-A

Load carry components designated "NTR" shall conform to the Impact Testing Requirements, Zone 2.

FILE NAME =	USER NAME = .CFC.	DESIGNED - CME	REVISED -
...0760030-78165-015-steel-det.dgn		CHECKED - MCB	REVISED -
	PLOT SCALE = 0:2.000002 :1 / IN.	DRAWN - CFC/MML	REVISED -
CB PROJECT NO 00056-14	PLOT DATE = 3/5/2012	CHECKED - CME	REVISED -

STATE OF ILLINOIS
DEPARTMENT OF TRANSPORTATION

STRUCTURAL STEEL DETAILS
STRUCTURE NO. 076-0030

SHEET NO. 15 OF 20 SHEETS

CB Coombe-Bloxdorf P.C.
- CIVIL ENGINEERS -
- STRUCTURAL ENGINEERS -
- LAND SURVEYORS -
Design Firm License No. 184-002703

F.A.P. RTE.	SECTION	COUNTY	TOTAL SHEETS	SHEET NO.
885	6B-3	POPE	41	36
			CONTRACT NO. 78165	
ILLINOIS FED. AID PROJECT				