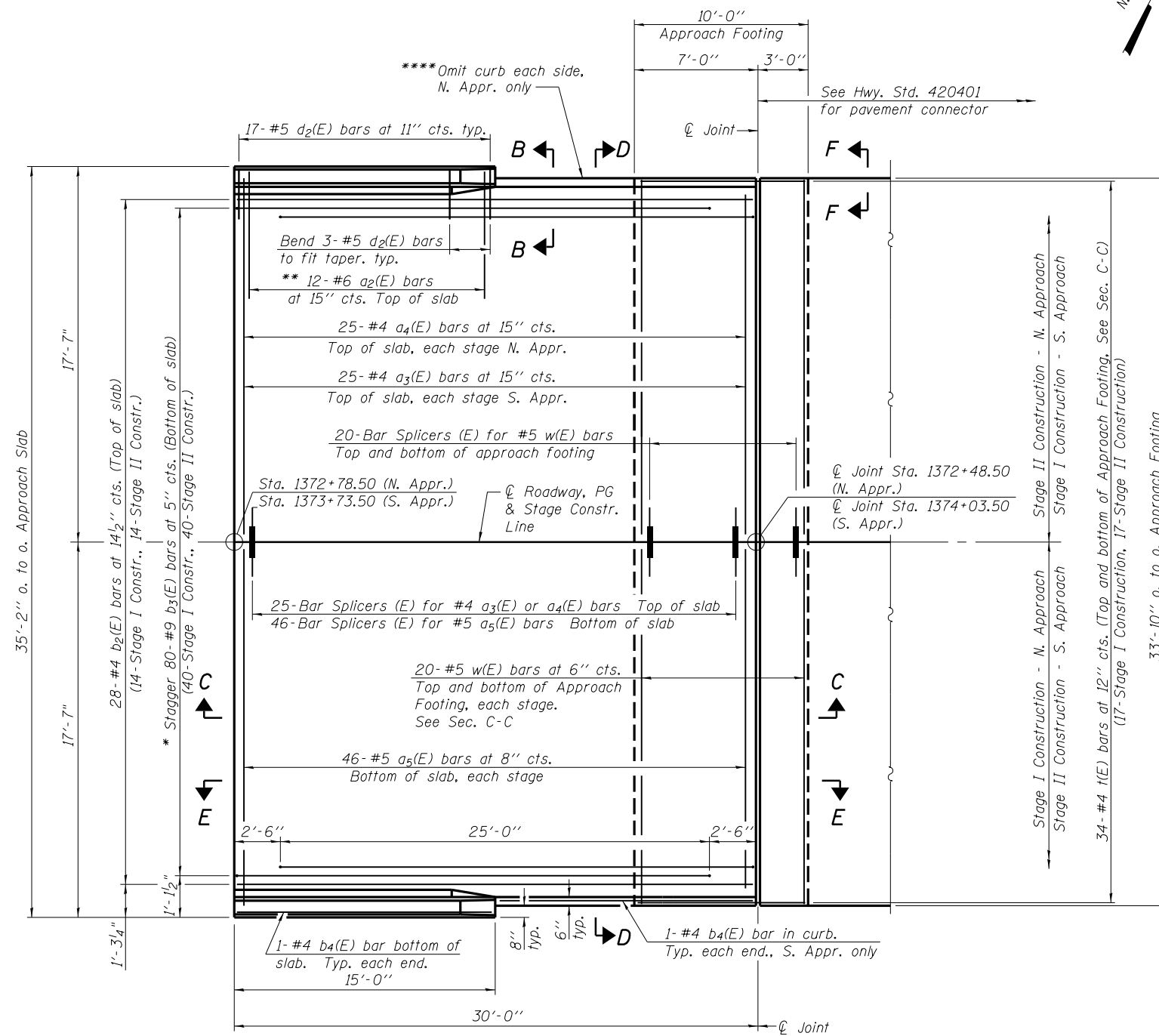
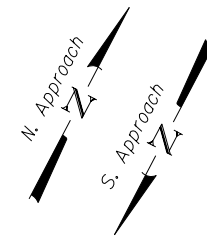


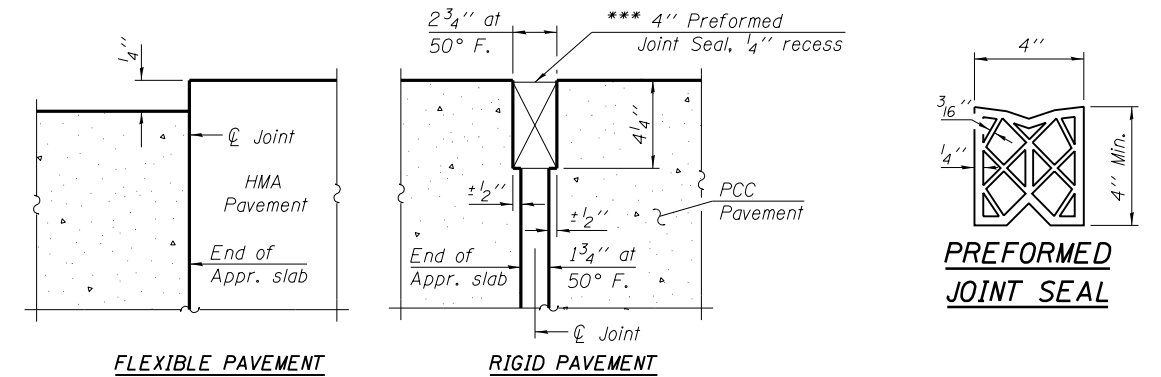
Notes:
 See sheet 13 of 20 for Sections C-C & D-D and View E-E.
 See sheet 19 of 20 for Bar Splicer Assembly Details.
 Threaded couplers for Bar Splicer Assembly shall be installed
 in Stage I Construction.

*** Cost included with Concrete Superstructure.

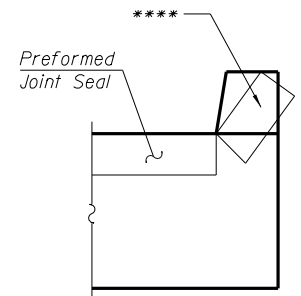


PLAN

* Tilt #9 b3(E) bars as required to maintain clearance.
 ** Space between a3(E) or a4(E) bars, typ. ea. parapet.

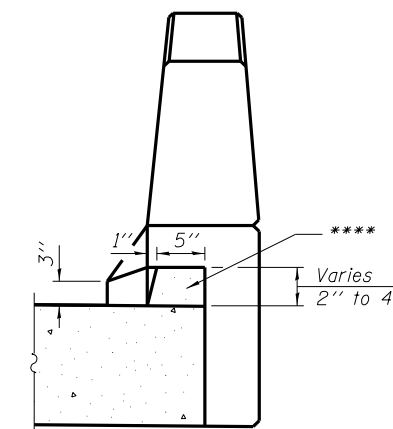


DETAIL A



VIEW F-F

Angle Preformed Joint Seal at 45°
 at curbs when req'd for drainage.



VIEW B-B

(Sheet 1 of 2)

FILE NAME =	USER NAME = \$USER\$	DESIGNED - CME	REVISED -
et:\pw\work\p1dot\lavenderba\d0293530\0760030-78165-012-appr-slab1.dgn		CHECKED - MCB	REVISED -
	PLOT SCALE = 0:2.000002 '1' / in.	DRAWN - CFC/MML	REVISED -
CB PROJECT NO 08056-14	PLOT DATE = 1/23/2012	CHECKED - CME	REVISED -

**STATE OF ILLINOIS
 DEPARTMENT OF TRANSPORTATION**

**BRIDGE APPROACH SLAB DETAILS
 STRUCTURE NO. 076-0030**

SHEET NO. 12 OF 20 SHEETS

CB Coombe-Bloxdorf P.C.
 - CIVIL ENGINEERS -
 - STRUCTURAL ENGINEERS -
 - LAND SURVEYORS -
 Design Firm License No. 184-002703

F.A.P. RTE.	SECTION	COUNTY	TOTAL SHEETS	SHEET NO.
885	6B-3	POPE	41	33

CONTRACT NO. 78165
 ILLINOIS FED. AID PROJECT