

EAST EDGE OF SHOULDER

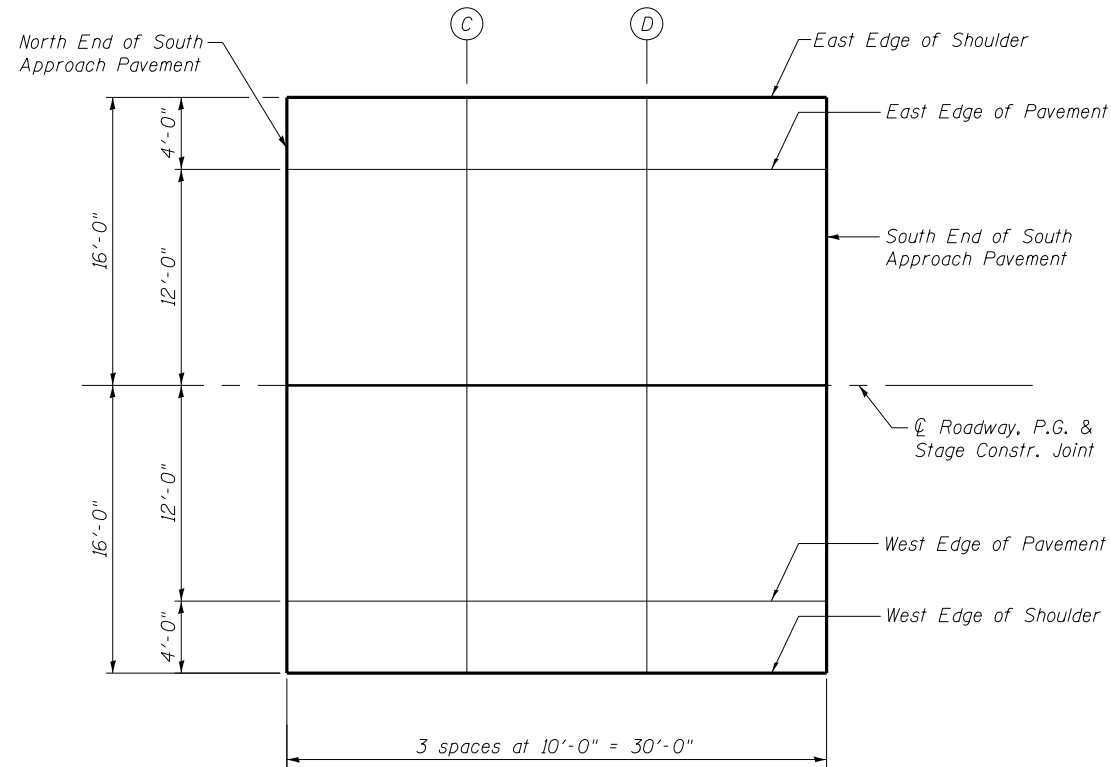
Location	Station	Offset	Theoretical Grade Elevations
N End S Approach	137373.50	-16.00	363.51
C	137383.50	-16.00	363.81
D	137393.50	-16.00	364.14
S End S Approach	137403.50	-16.00	364.49

EAST EDGE OF PAVEMENT

Location	Station	Offset	Theoretical Grade Elevations
N End S Approach	137373.50	-12.00	363.59
C	137383.50	-12.00	363.90
D	137393.50	-12.00	364.22
S End S Approach	137403.50	-12.00	364.57

☉ ROADWAY, P.G. & STAGE CONSTR. JT.

Location	Station	Offset	Theoretical Grade Elevations
N End S Approach	137373.50	0.00	363.78
C	137383.50	0.00	364.08
D	137393.50	0.00	364.41
S End S Approach	137403.50	0.00	364.76



PLAN
South Approach

WEST EDGE OF PAVEMENT

Location	Station	Offset	Theoretical Grade Elevations
N End S Approach	137373.50	12.00	363.59
C	137383.50	12.00	363.90
D	137393.50	12.00	364.22
S End S Approach	137403.50	12.00	364.57

WEST EDGE OF SHOULDER

Location	Station	Offset	Theoretical Grade Elevations
N End S Approach	137373.50	16.00	363.51
C	137383.50	16.00	363.81
D	137393.50	16.00	364.14
S End S Approach	137403.50	16.00	364.49

E-AS

7-1-10

FILE NAME =	USER NAME = \$USER\$	DESIGNED - CME	REVISED -
et:\pw\work\p\dot\lavenderba\d0293530\0760030-78165-008-TOS.S.eppr.dgn		CHECKED - MCB	REVISED -
	PLOT SCALE = 10x8.000116 't' / in.	DRAWN - CFC/MML	REVISED -
CB PROJECT NO 08056-14	PLOT DATE = 1/23/2012	CHECKED - CME	REVISED -

STATE OF ILLINOIS
DEPARTMENT OF TRANSPORTATION

TOP OF SOUTH APPROACH SLAB ELEVATIONS
STRUCTURE NO. 076-0030

SHEET NO. 8 OF 20 SHEETS

CB Coombe-Bloxdorf P.C.
- CIVIL ENGINEERS -
- STRUCTURAL ENGINEERS -
- LAND SURVEYORS -
Design Firm License No. 184-002703

F.A.P. RTE.	SECTION	COUNTY	TOTAL SHEETS	SHEET NO.
885	6B-3	POPE	41	29
CONTRACT NO. 78165				
ILLINOIS FED. AID PROJECT				