

**EAST EDGE OF SHOULDER**

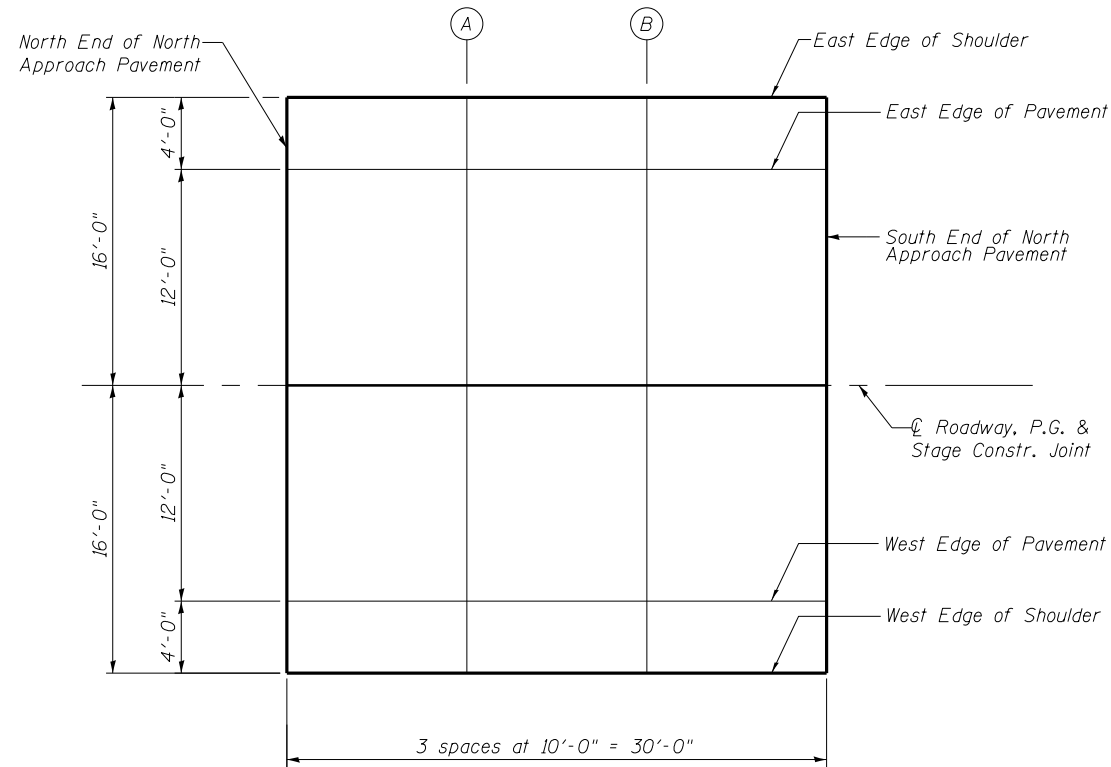
Location	Station	Offset	Theoretical Grade Elevations
N. End N. Approach	137248.50	-16.00	361.81
A	137258.50	-16.00	361.81
B	137268.50	-16.00	361.83
S. End N. Approach	137278.50	-16.00	361.87

**EAST EDGE OF PAVEMENT**

Location	Station	Offset	Theoretical Grade Elevations
N. End N. Approach	137248.50	-12.00	361.90
A	137258.50	-12.00	361.89
B	137268.50	-12.00	361.91
S. End N. Approach	137278.50	-12.00	361.96

**☉ ROADWAY, P.G. & STAGE CONSTR. JT.**

Location	Station	Offset	Theoretical Grade Elevations
N. End N. Approach	137248.50	0.00	362.09
A	137258.50	0.00	362.08
B	137268.50	0.00	362.10
S. End N. Approach	137278.50	0.00	362.14



**PLAN**

**WEST EDGE OF PAVEMENT**

Location	Station	Offset	Theoretical Grade Elevations
N. End N. Approach	137248.50	12.00	361.90
A	137258.50	12.00	361.89
B	137268.50	12.00	361.91
S. End N. Approach	137278.50	12.00	361.96

**WEST EDGE OF SHOULDER**

Location	Station	Offset	Theoretical Grade Elevations
N. End N. Approach	137248.50	16.00	361.81
A	137258.50	16.00	361.81
B	137268.50	16.00	361.83
S. End N. Approach	137278.50	16.00	361.87

E-AS

7-1-10

FILE NAME =	USER NAME = \$USER\$	DESIGNED - CME	REVISED -
et:\pw\work\p\dot\lavenderba\d0293530\0760030-78165-007-TOS.n.eppr.dgn		CHECKED - MCB	REVISED -
	PLOT SCALE = 10x8.000116 't' / in.	DRAWN - CFC/MML	REVISED -
CB PROJECT NO 08056-14	PLOT DATE = 1/23/2012	CHECKED - CME	REVISED -

**STATE OF ILLINOIS  
DEPARTMENT OF TRANSPORTATION**

**TOP OF NORTH APPROACH SLAB ELEVATIONS  
STRUCTURE NO. 076-0030**

SHEET NO. 7 OF 20 SHEETS

**CB** Coombe-Bloxdorf P.C.  
- CIVIL ENGINEERS -  
- STRUCTURAL ENGINEERS -  
- LAND SURVEYORS -  
Design Firm License No. 184-002703

F.A.P. RTE.	SECTION	COUNTY	TOTAL SHEETS	SHEET NO.
885	6B-3	POPE	41	28
CONTRACT NO. 78165				

ILLINOIS FED. AID PROJECT