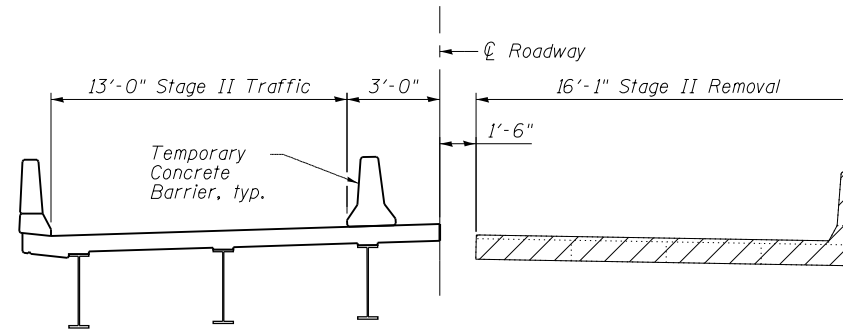
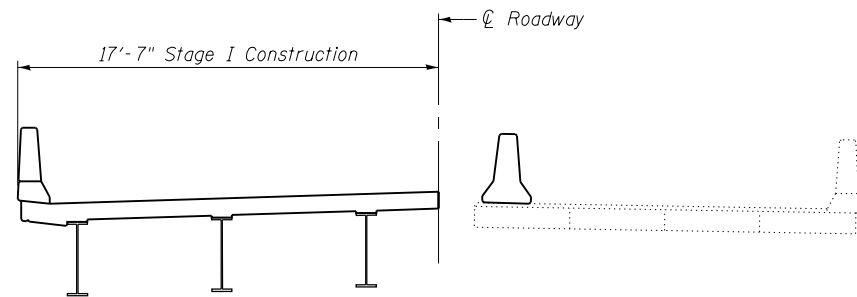


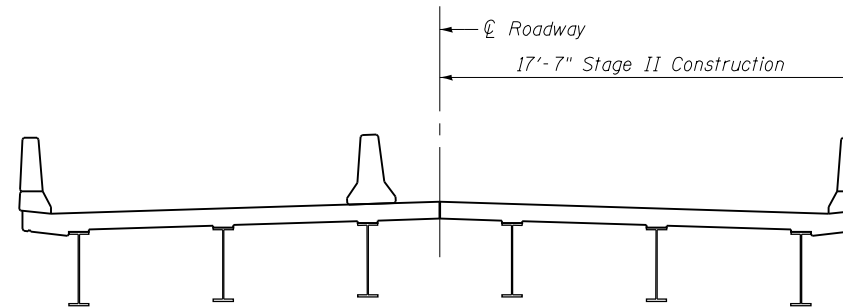
STAGE I REMOVAL
(Looking South)



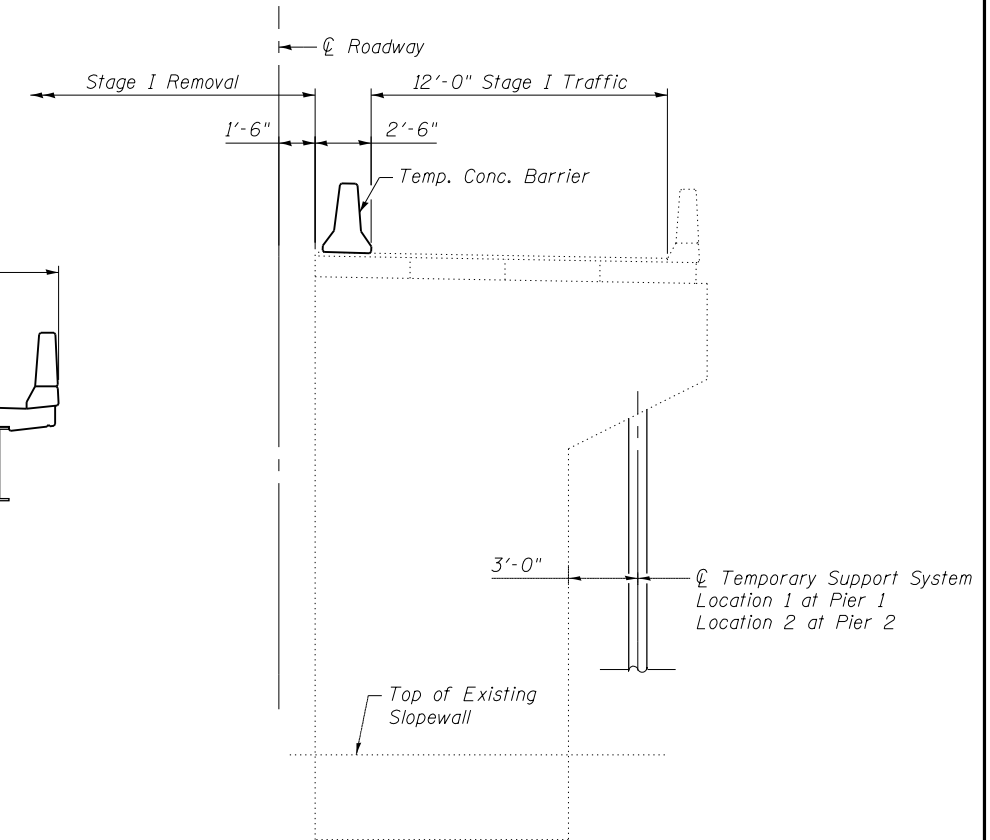
STAGE II REMOVAL
(Looking South)



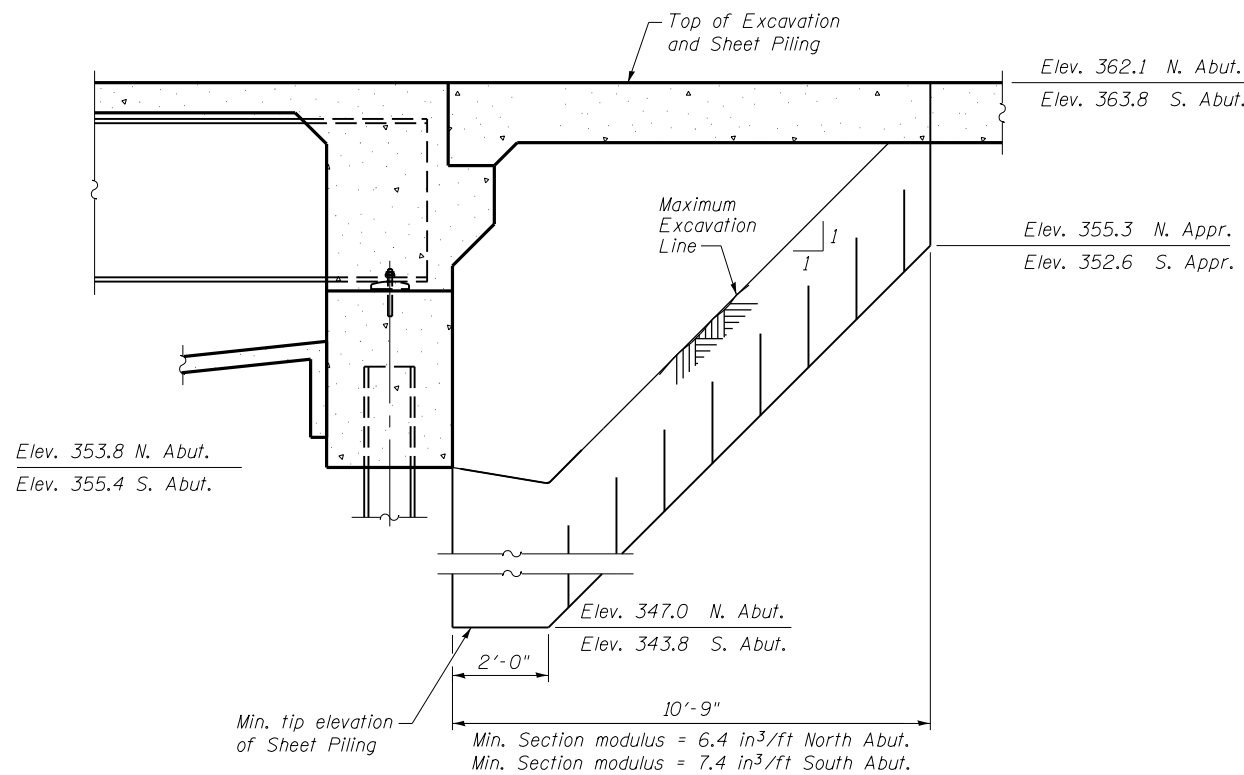
STAGE I CONSTRUCTION
(Looking South)



STAGE II CONSTRUCTION
(Looking South)



TEMPORARY SUPPORT SYSTEM AT PIERS
(Looking South)



TEMPORARY SHEET PILING

Notes:

- For quantity of Temporary Concrete Barrier, see roadway plans.
- Hatched area indicates Removal of Existing Structures.
- If the Contractor chooses to alter the temporary sheet piling design requirements shown on the plans, a design submittal including plan details and calculations will be required for review and acceptance by the Engineer.
- Each temporary support shall be capable of supporting a vertical load of 250 kips and a lateral load of 25 kips.
- The temporary supports shall be in place prior to Stage I Removal and shall remain in place until removal of deck beams in Stage II Removal is completed.
- See Special Provisions for Temporary Support System.
- Removal of Existing Temporary Bracing, located under Beam 3 in Span 1 and under Beam 2 in Span 2, is included in Removal of Existing Structures.

FILE NAME =	USER NAME = \$USER\$	DESIGNED -	REVISED -
et:\pw\work\p1dot\lavenderba\d0293530\0760030-78165-003-staging.dgn		CHECKED -	REVISED -
	PLOT SCALE = 21:3.998490' / 1" / in.	DRAWN - CFC/MML	REVISED -
CB PROJECT NO 08056-14	PLOT DATE = 1/23/2012	CHECKED - CME	REVISED -

**STATE OF ILLINOIS
DEPARTMENT OF TRANSPORTATION**

**STAGE CONSTRUCTION DETAILS
STRUCTURE NO. 076-0030**

SHEET NO. 3 OF 20 SHEETS

CB Coombe-Bloxdorf P.C.
- CIVIL ENGINEERS -
- STRUCTURAL ENGINEERS -
- LAND SURVEYORS -
Design Firm License No. 184-002703

F.A.P. RTE.	SECTION	COUNTY	TOTAL SHEETS	SHEET NO.
885	6B-3	POPE	41	24

CONTRACT NO. 78165
ILLINOIS FED. AID PROJECT