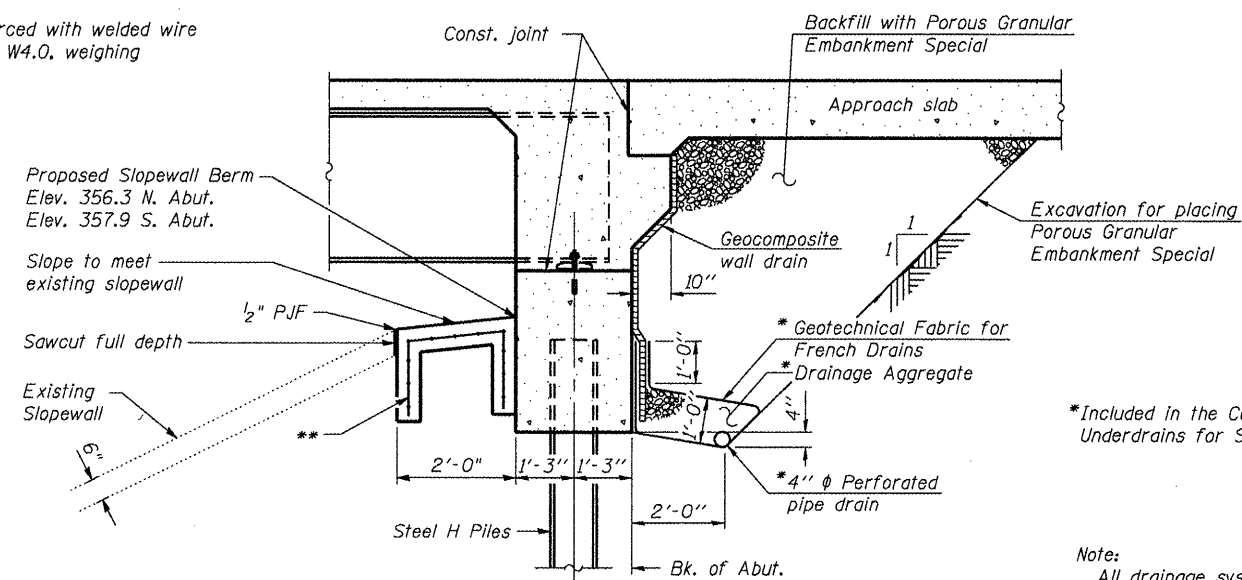


EXISTING SLOPEWALL REMOVAL AND REPLACEMENT DETAILS AT PIERS

** Slopewall shall be reinforced with welded wire fabric, 6" x 6" - W4.0 x W4.0, weighing 58 lbs. per 100 sq. ft.



*Included in the Cost of Pipe Underdrains for Structures

Note:
All drainage system components shall extend to 2'-0" from the end of each wingwall except an outlet pipe shall extend until intersecting with the side slopes. The pipes shall drain into concrete headwalls. (See Article 601.05 of the Standard Specifications and Highway Standard 601101).

GENERAL NOTES

Fasteners shall be AASHTO M164 Type 1, mechanically galvanized bolts in painted areas and M164 Type 3 in unpainted areas. Bolts 3/4" ϕ , holes 5/8" ϕ , unless otherwise noted.

Calculated weight of Structural Steel = 102,440 lbs.

All structural steel shall be AASHTO M 270 Grade 50W.

No field welding is permitted except as specified in the contract documents.

Reinforcement bars designated (E) shall be epoxy coated.

Slipforming of parapets will not be allowed.

Structural steel shall only be painted for a distance equal to the depth of embedment into the concrete cap plus 3 inches. Painted areas shall be primed in the shop with a Department approved zinc rich primer. Field painting will not be required.

If the Contractor elects to use cantilever forming brackets on the exterior beams or girders, the brackets shall be placed at the same locations as required for the hardwood blocks in Article 503.06(b) of the Standard Specifications. If additional cantilever forming brackets are required, hardwood blocking shall be wedged between the exterior and first interior beam at each of these additional bracket locations.

TOTAL BILL OF MATERIAL

ITEM	UNIT	SUPER	SUB	TOTAL
Porous Granular Embankment, Special	Cu. Yd.		142	142
Removal of Existing Structures	Each			1
Structure Excavation	Cu. Yd.		186	186
Concrete Structures	Cu. Yd.		53.4	53.4
Concrete Superstructure	Cu. Yd.	243.2		243.2
Bridge Deck Grooving	Sq. Yd.	524		524
Concrete Encasement	Cu. Yd.		4.2	4.2
Protective Coat	Sq. Yd.	664		664
Furnishing and Erecting Structural Steel	L. Sum	1		1
Stud Shear Connectors	Each	984		984
Reinforcement Bars, Epoxy Coated	Pound	50810	8850	59660
Bar Splicers	Each	586	24	610
Slopewall 6"	Sq. Yd.		106	106
Furnishing Steel Piles HP 12 x 63	Foot		366	366
Driving Piles	Foot		366	366
Pile Shoes	Each		12	12
Name Plates	Each	1		1
Anchor Bolts, 1"	Each	24		24
Geocomposite Wall Drain	Sq. Yd.		81	81
Temporary Sheet Piling	Sq. Ft.		302	302
Pipe Underdrains for Structures 4"	Foot		137	137
Temporary Support System Location 1	Each		1	1
Temporary Support System Location 2	Each		1	1

FILE NAME =	USER NAME = .CFC.	DESIGNED -	REVISED -
...\\0760030-78165-002-gen_data.dgn		CHECKED -	REVISED -
	PLOT SCALE = 3/11,997542 '1' / IN.	DRAWN - CFC/MML	REVISED -
CB PROJECT NO 00056-14	PLOT DATE = 3/5/2012	CHECKED - CME	REVISED -

**STATE OF ILLINOIS
DEPARTMENT OF TRANSPORTATION**

**GENERAL DATA
STRUCTURE NO. 076-0030**

SHEET NO. 2 OF 20 SHEETS

CB Coombe-Bloxdorf P.C.
- CIVIL ENGINEERS -
- STRUCTURAL ENGINEERS -
- LAND SURVEYORS -
Design Firm License No. 184-002703

F.A.P. RTE.	SECTION	COUNTY	TOTAL SHEETS	SHEET NO.
885	6B-3	POPE	41	23
			CONTRACT NO. 78165	
ILLINOIS FED. AID PROJECT				