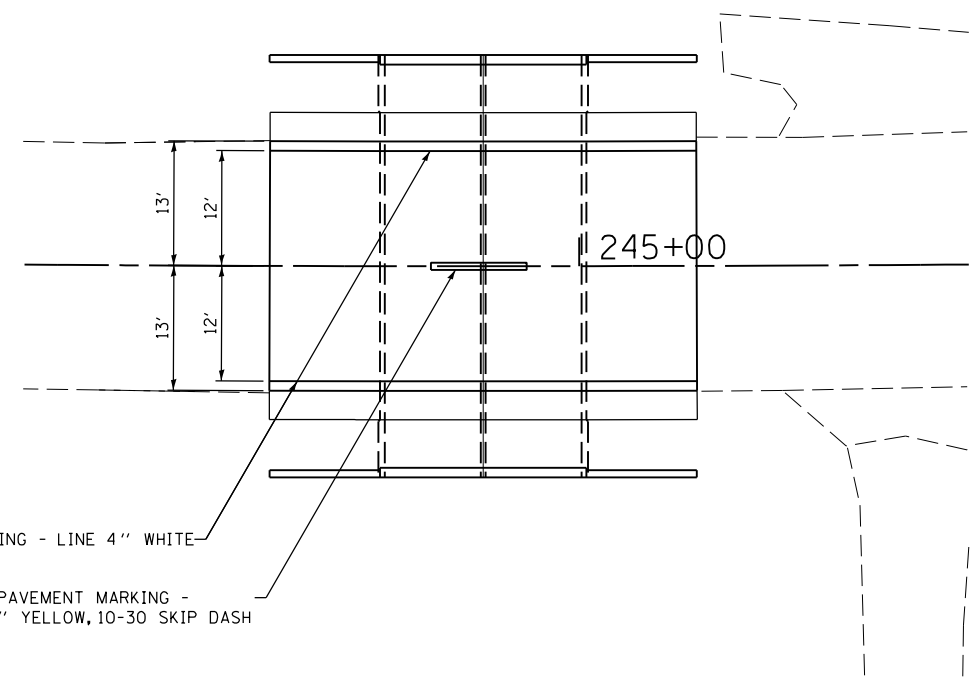


**LEGEND**

- ① TYPE III BARRICADE  
2 EACH AT 12'
- ② TYPE III BARRICADE  
2 EACH AT 12'
- ③
- ④
- ⑤
- ⑥
- ⑦
- ⑧
- ⑨
- ⑩
- ⑪

**DETOUR SIGNING & ROUTE**



PAINT PAVEMENT MARKING - LINE 4" WHITE  
 PAINT PAVEMENT MARKING - LINE 4" YELLOW, 10-30 SKIP DASH

**PAVEMENT MARKING PLAN**

FILE NAME =	USER NAME = lavenderba	DESIGNED -	REVISED -
et:\pw\work\p1dot\lavenderba\d0293378\0778090-sht-008-sign_pmk.dgn		DRAWN - CFC	REVISED -
CB PROJECT NO 08055-15	PLOT SCALE = 20.000000' / in.	CHECKED - GLS	REVISED -
	PLOT DATE = 1/23/2012	DATE - / /	REVISED -

**STATE OF ILLINOIS  
DEPARTMENT OF TRANSPORTATION**

**DETOUR ROUTE AND PAVEMENT MARKING PLAN  
CRAB ORCHARD ROAD / OLD IL 13**

SCALE: SHEET NO. OF SHEETS STA. TO STA.

**CB Coombe-Bloxdorf P.C.**  
 - CIVIL ENGINEERS -  
 - STRUCTURAL ENGINEERS -  
 - LAND SURVEYORS -  
 Design Firm License No. 184-002703

S.B.I.	SECTION	COUNTY	TOTAL SHEETS	SHEET NO.
13B	6B-1	WILLIAMSON	19	8

CONTRACT NO. 78090  
 ILLINOIS FED. AID PROJECT