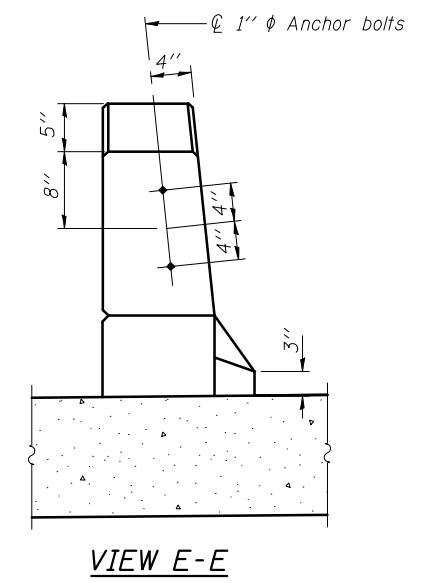
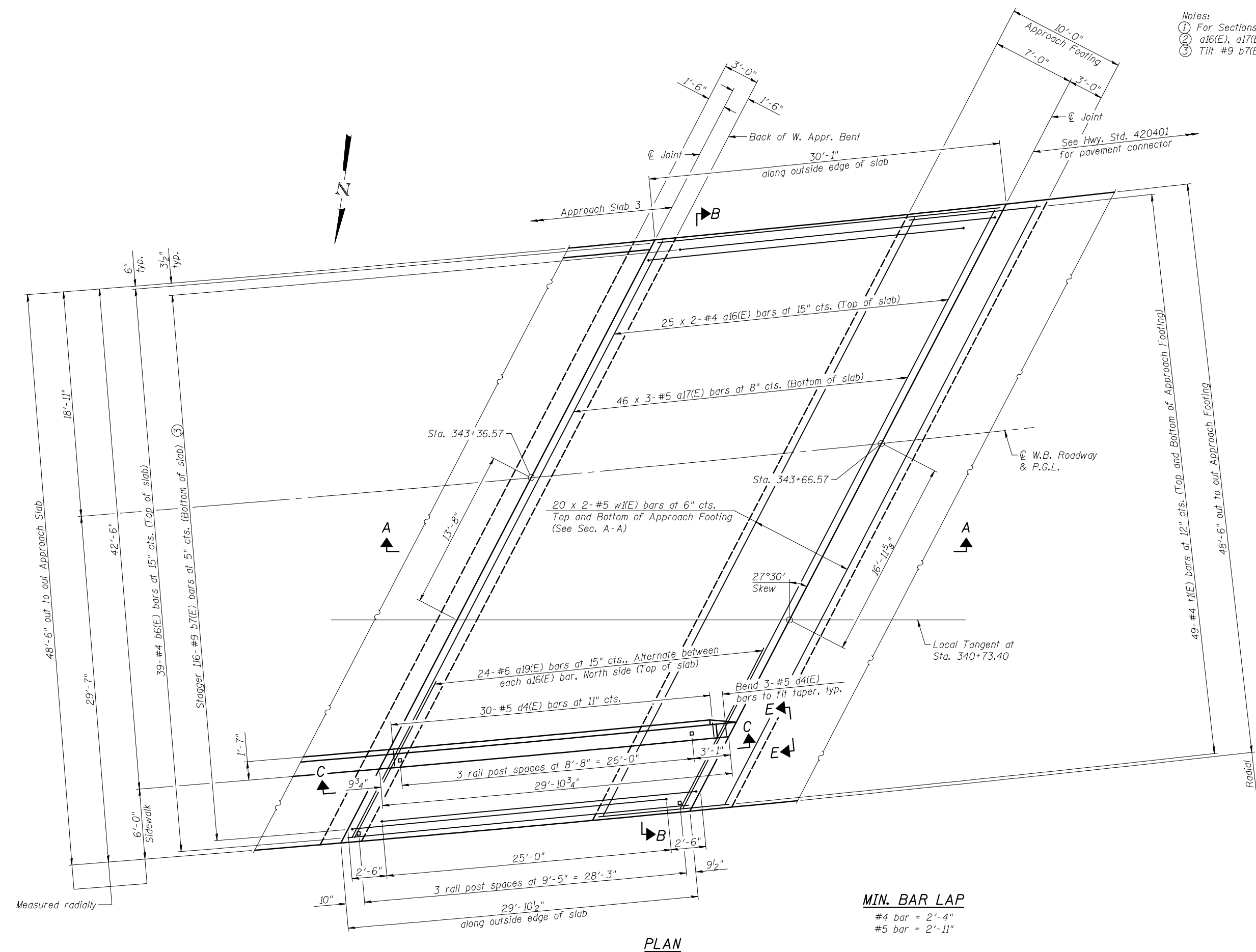


- Notes:
 ① For Sections A-A, B-B and View C-C, see sheet 20 of 53.
 ② a16(E), a17(E) and a19(E) bar spacings measured along ϕ Roadway.
 ③ Tilt #9 b7(E) bars as required to maintain clearance.



MIN. BAR LAP

#4 bar	= 2'-4"
#5 bar	= 2'-11"

PLAN



USER NAME =	DESIGNED - MAG	REVISED -
	CHECKED - JAD	REVISED -
PLOT SCALE =	DRAWN - MAG	REVISED -
PLOT DATE =	CHECKED - JAD	REVISED -

**STATE OF ILLINOIS
 DEPARTMENT OF TRANSPORTATION**

**BRIDGE APPROACH SLAB 4 DETAILS
 STRUCTURE NO. 039-0076 (W.B.)**

SHEET NO. 19 OF 53 SHEETS

F.A.P. RTE.	SECTION	COUNTY	TOTAL SHEETS	SHEET NO.
331	(12-1)B-1	JACKSON	200	131
CONTRACT NO. 78056				

ILLINOIS FED. AID PROJECT