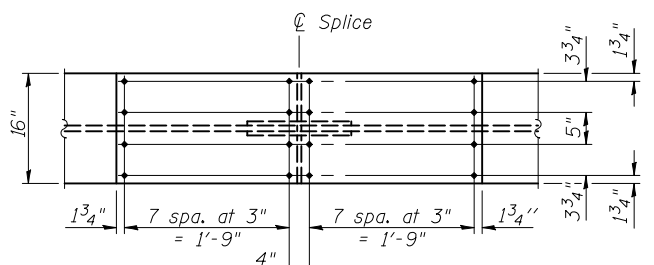
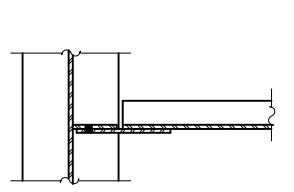


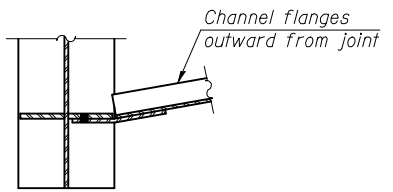
TOP & BOTTOM PLAN



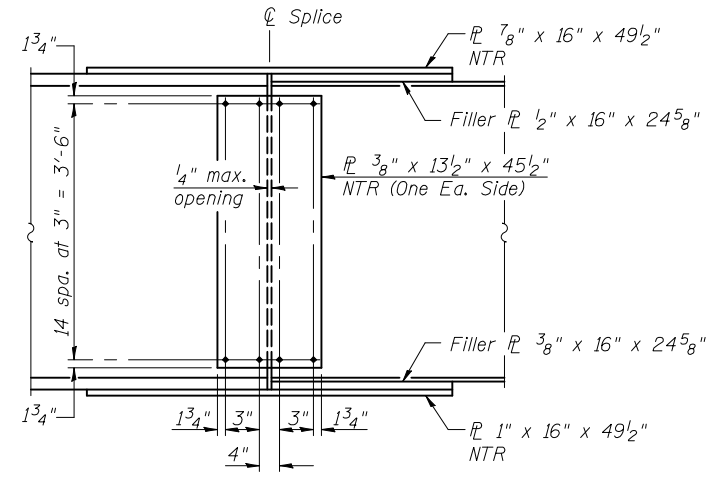
TOP PLAN



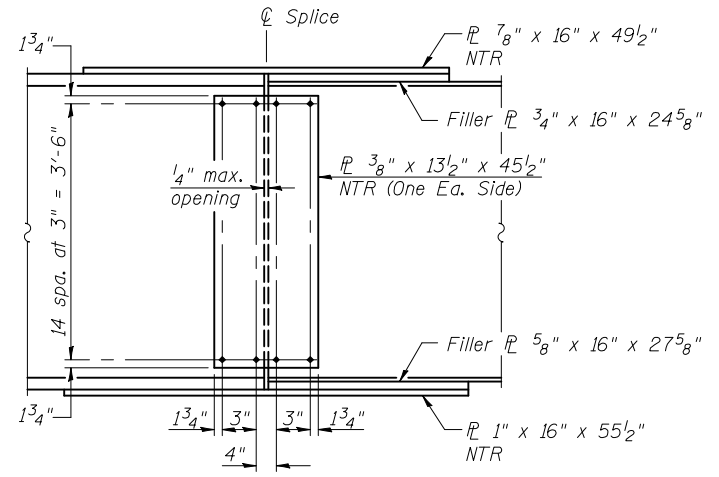
SECTION B-B



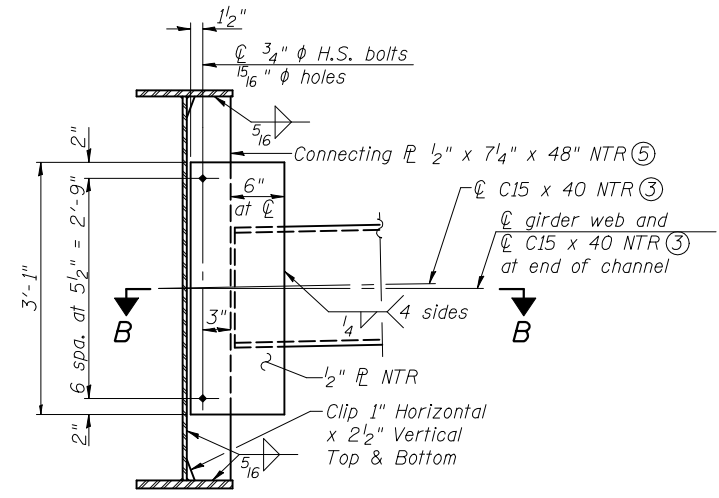
SECTION C-C



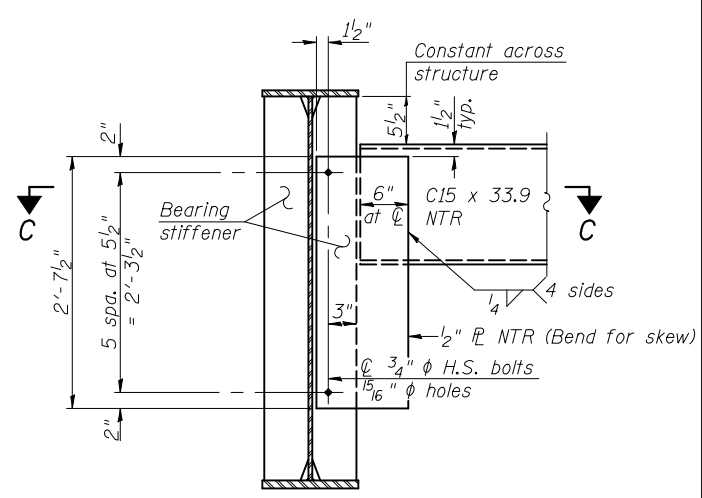
ELEVATION



ELEVATION



INTERIOR DIAPHRAGM D
(95 Required)

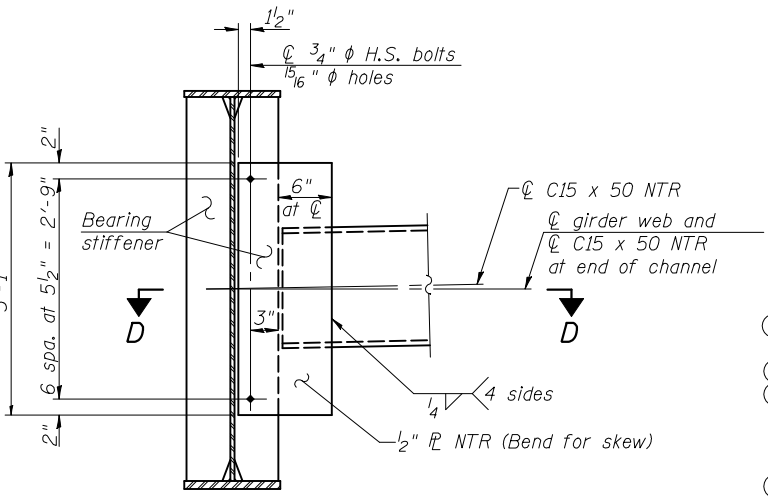


END DIAPHRAGM D1 or D6
(5 of Each Required)

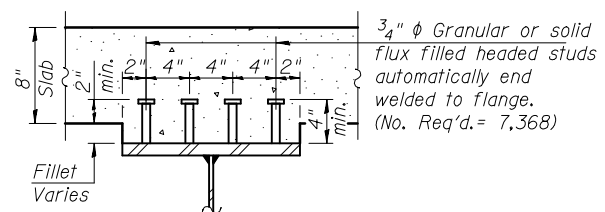
SPLICE 1 & 4 DETAIL
(12 Required)

SPLICE 2 & 3 DETAIL
(12 Required)

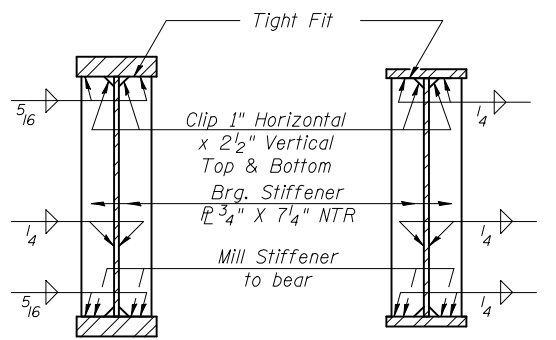
SECTION D-D



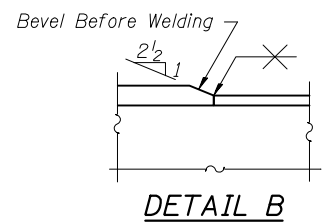
INTERIOR DIAPHRAGM D2, D3, D4, or D5
(5 of Each Required)



SECTION A-A



SECTION AT PIER SECTION AT ABUTMENT
BEARING STIFFENER



DETAIL B

- Notes:
- Load carrying components designated "NTR" shall conform to the Impact Testing Requirements, Zone 2.
 - Two hardened washers required for each set of oversized holes.
 - Alternate channels C15x50 are permitted to facilitate material acquisition. Calculated weight of structural steel is based on C15x40 sections. The alternate, if utilized, shall be provided at no extra cost to the department.
 - Similar diaphragms are numbered uniquely due to a difference in length.
 - Do not provide plate on exterior face of fascia girders.



11400
Eastport Business Center 1
100 Lamar Court, Suite 1
Columbia, IL 62234
Tel: 618.545.2200
Fax: 618.545.7200
www.materassociates.com

18000
Lansdale One Building
720 Olive, Suite 1000
St. Louis, MO 63101
Tel: 314.588.0281
Fax: 314.588.0205

USER NAME =	DESIGNED - JAD	REVISED -
	CHECKED - DGL	REVISED -
PLOT SCALE =	DRAWN - JAD	REVISED -
PLOT DATE =	CHECKED - DGL	REVISED -

STATE OF ILLINOIS
DEPARTMENT OF TRANSPORTATION

GIRDER DETAILS
STRUCTURE NO. 039-0075 (E.B.)

SHEET NO. 28 OF 53 SHEETS

F.A.P. RTE.	SECTION	COUNTY	TOTAL SHEETS	SHEET NO.
331	(12-11B-1)	JACKSON	200	87
CONTRACT NO. 78056				

ILLINOIS FED. AID PROJECT