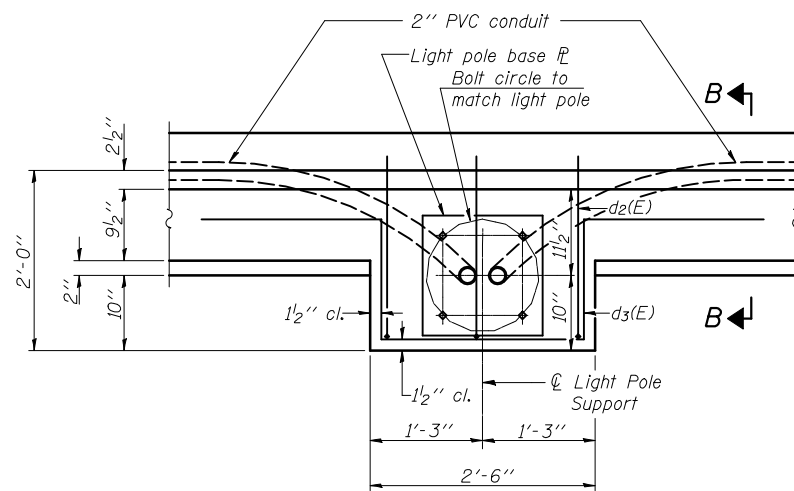


NEAR PIER

NEAR MIDSPAN

CROSS SECTION  
(Looking West)

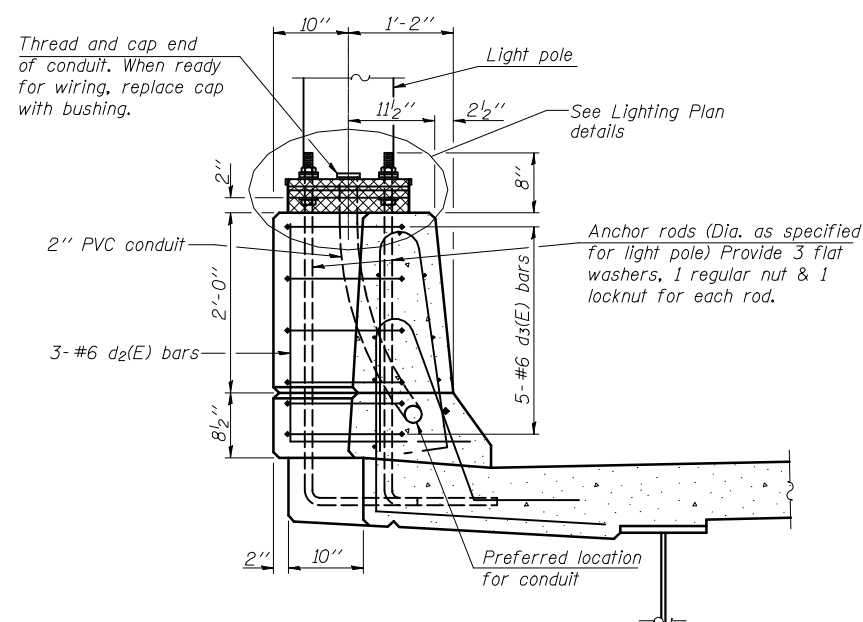
\*Conduit shall have a minimum clearance of 1/2" from all reinforcement



PLAN

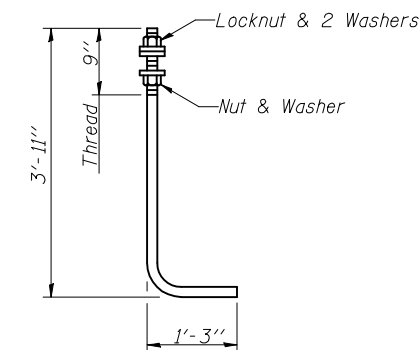
Notes:  
Cost of anchor rods is included with Concrete Superstructure.  
Conduit is paid for as Conduit Embedded in Structure, 2" PVC.  
See Lighting Plan.

LIGHT POLE DETAIL



SECTION B-B

(two locations)  
See Lighting Plan Details for dimensions and requirements not shown.



ANCHOR ROD

Diameter as specified for light poles.  
(ASTM F 1554 Grade 105)

FILE NAME =	USER NAME = \$USER*
\$FILEL\$	CHECKED - MCB
	DRAWN - MML
CB PROJECT NO. 08024-2	CHECKED - MCB

DESIGNED - GB	REVISED -
CHECKED - MCB	REVISED -
DRAWN - MML	REVISED -
CHECKED - MCB	REVISED -

DESIGNED - GB	REVISED -
CHECKED - MCB	REVISED -
DRAWN - MML	REVISED -
CHECKED - MCB	REVISED -

STATE OF ILLINOIS  
DEPARTMENT OF TRANSPORTATION

SUPERSTRUCTURE DETAILS  
STRUCTURE NO. 039-0075 (EB)

SHEET NO. 15 OF 53 SHEETS

**CB** Coombe-Bloxdorf P.C.  
- CIVIL ENGINEERS -  
- STRUCTURAL ENGINEERS -  
- LAND SURVEYORS -  
Design Firm License No. 184-002703

F.A.P. RTE.	SECTION	COUNTY	TOTAL SHEETS	SHEET NO.
331	(12-1)B-1	JACKSON	200	74

CONTRACT NO. 78056  
ILLINOIS FED. AID PROJECT