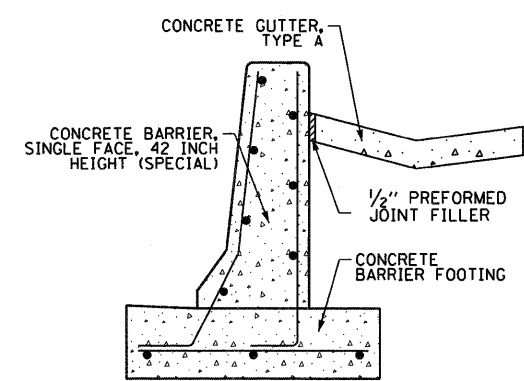
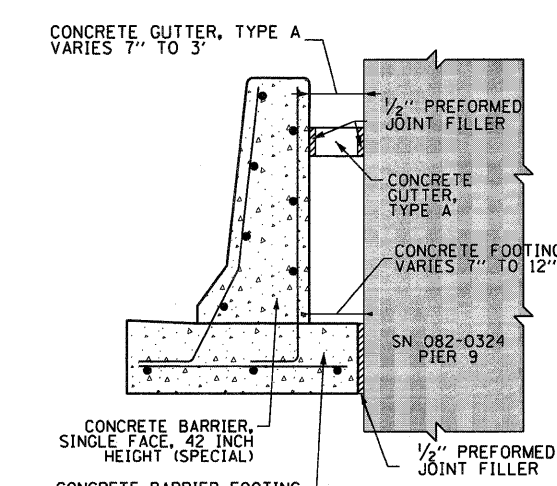


CONCRETE BARRIER, SINGLE FACE, 42 INCH HEIGHT (SPECIAL) AND CONCRETE GUTTER, TYPE A LAYOUT AT SN 082-0324 PIER 9
SCALE: NONE

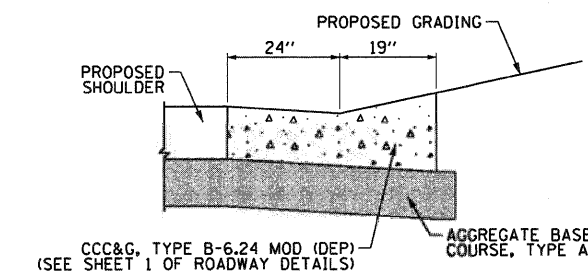
- NOTES:**
1. THE CONCRETE GUTTER, TYPE A SHALL BE CONSTRUCTED BETWEEN THE FACE OF THE BRIDGE PIER AND THE BACK OF THE CONCRETE BARRIER, SINGLE FACE, 42 INCH HEIGHT (SPECIAL). 1/2" PREFORMED JOINT FILLER SHALL BE USED AS SHOWN IN DETAIL.
 2. THE CONCRETE BARRIER FOOTING SHALL BE CONSTRUCTED AROUND THE DRILLED SHAFT BRIDGE PIER AS SHOWN. 1/2" PREFORMED JOINT FILLER SHALL BE USED BETWEEN THE CONCRETE BARRIER BASE AND THE BRIDGE PIER AS SHOWN.



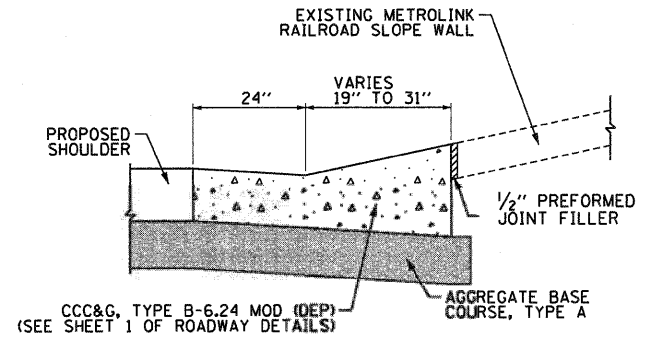
SECTION A-A CONCRETE BARRIER, SINGLE FACE 42 INCH HEIGHT (WITH GUTTER)
SCALE: NONE



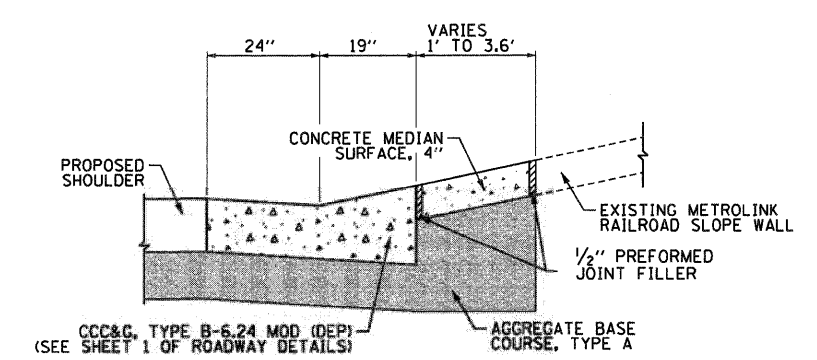
SECTION B-B CONCRETE BARRIER, SINGLE FACE 42 INCH HEIGHT (AT SN 082-0324 PIER 9)
SCALE: NONE



SECTION C-C COMBINATION CONCRETE CURB AND GUTTER, TYPE B-6.24 MODIFIED (DEPRESSED)
SCALE: NONE



SECTION D-D CONCRETE GUTTER TRANSITION STA 35+11.77 TO STA 32+32.86
SCALE: NONE



SECTION E-E COMB CONC CURB AND GUTTER, TYPE B-6.24 MOD (DEP) AND CONCRETE MEDIAN SURFACE, 4 INCH STA 35+32.86 TO STA 35+75.33
SCALE: NONE

FILE NAME = DBT-r-76C52-ht-details-17.dgn	USER NAME = sear-sb	DESIGNED BS	REVISED -	STATE OF ILLINOIS DEPARTMENT OF TRANSPORTATION	ROADWAY DETAILS			F.A.I. RTE.	SECTION	COUNTY	TOTAL SHEETS	SHEET NO.
		DRAWN BS	REVISED -		SCALE: 1" = 10'	SHEET NO. 17 OF 26 SHEETS	STA.	TO STA.	82-1-RIA, 82-1-R(B)	ST. CLAIR	629	514
		CHECKED DBM	REVISED -						64/998/70			
		DATE 1-20-12	REVISED -						FED. ROAD DIST. NO.	ILLINOIS FED. AID PROJECT		