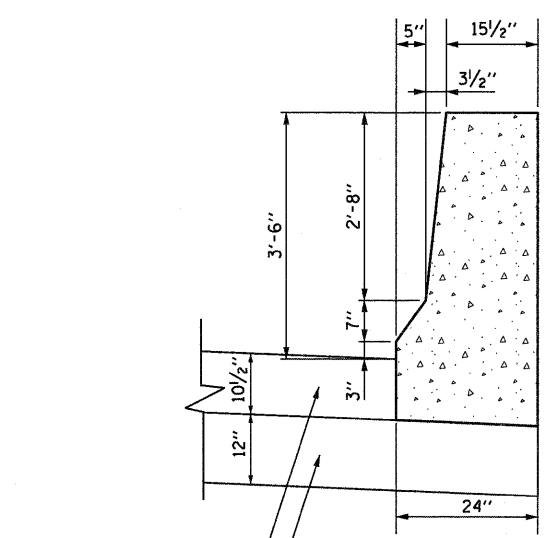
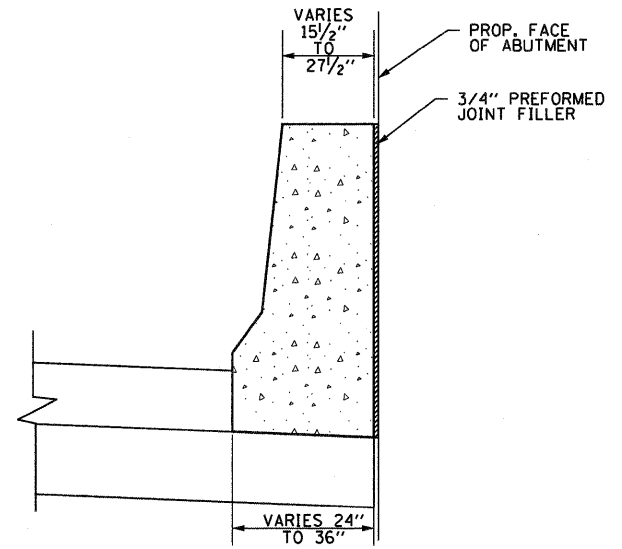


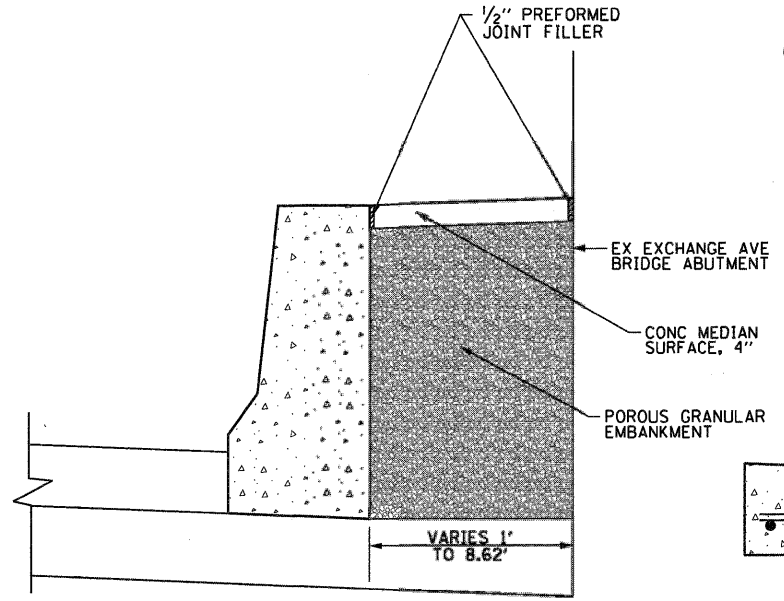
**SECTION A-A**  
 CONCRETE BARRIER, SINGLE FACE,  
 42 INCH HEIGHT (SPECIAL)  
 STA 24+75.25 TO 25+65.00 (RAMP P)  
 (SEE DIMENSIONS ON SHEET 499)



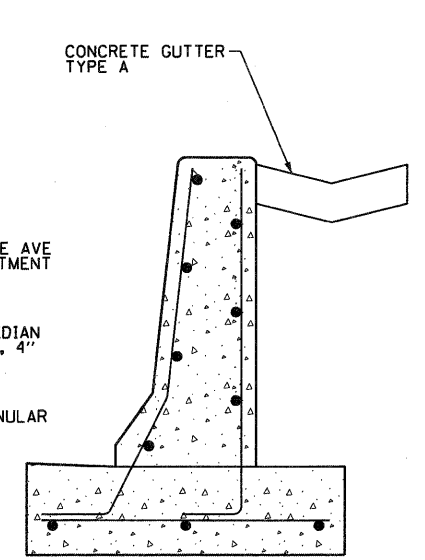
**SECTION B-B**  
 CONCRETE BARRIER, SINGLE FACE  
 42 INCH HEIGHT  
 STA 25+65.00 TO 25+70.87  
 (RAMP P)  
 PCC SHOULDERS - 10 1/2"  
 AGG BASE CSE A 12



**SECTION C-C\***  
 CONCRETE BARRIER TRANSITION  
 STA 25+70.87 TO 25+76.66  
 (RAMP P)



**SECTION D-D\***  
 CONCRETE BARRIER, SINGLE FACE,  
 42 INCH HEIGHT  
 STA 25+76.66 TO 26+15.05 (RAMP P)



**SECTION E-E**  
 CONCRETE BARRIER, SINGLE FACE,  
 42 INCH HEIGHT (SPECIAL)  
 STA 26+15.05 TO 28+94.28  
 (RAMP P)  
 (SEE DIMENSIONS ON SHEET 499)

**CONCRETE BARRIER TRANSITION AT EXCHANGE AVENUE BRIDGE ABUTMENT**

\* NOTE: ALL DIMENSIONS AND PAVEMENT TYPES MATCH THOSE ON SECTION B-B EXCEPT AS NOTED.

FILE NAME = DBT-r-76C52-sht-details.i2.dgn

USER NAME = sear-sb  
 PLOT SCALE = 20.0000' / 1"  
 PLOT DATE = 1/24/2012

DESIGNED CRH  
 DRAWN CRH  
 CHECKED DBM  
 DATE 1-20-12

REVISED -  
 REVISED -  
 REVISED -  
 REVISED -

**STATE OF ILLINOIS  
 DEPARTMENT OF TRANSPORTATION**

**ROADWAY DETAILS**

SCALE: 1" = 10' SHEET NO. 12 OF 26 SHEETS STA. TO STA.

F.A.I. RTE.	SECTION	COUNTY	TOTAL SHEETS	SHEET NO.
64/998/70	82-1-RIA), 82-1-RIB)	ST. CLAIR	629	509
FED. ROAD DIST. NO. ILLINOIS FED. AID PROJECT			CONTRACT NO. 76C52	