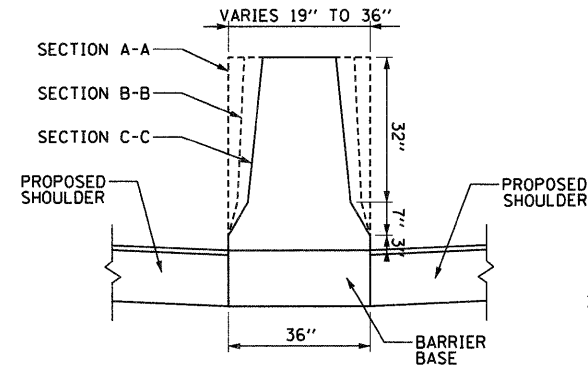


PLAN

NOTES:  
1. ALL STATIONING BASED OFF OF EB I-64 @

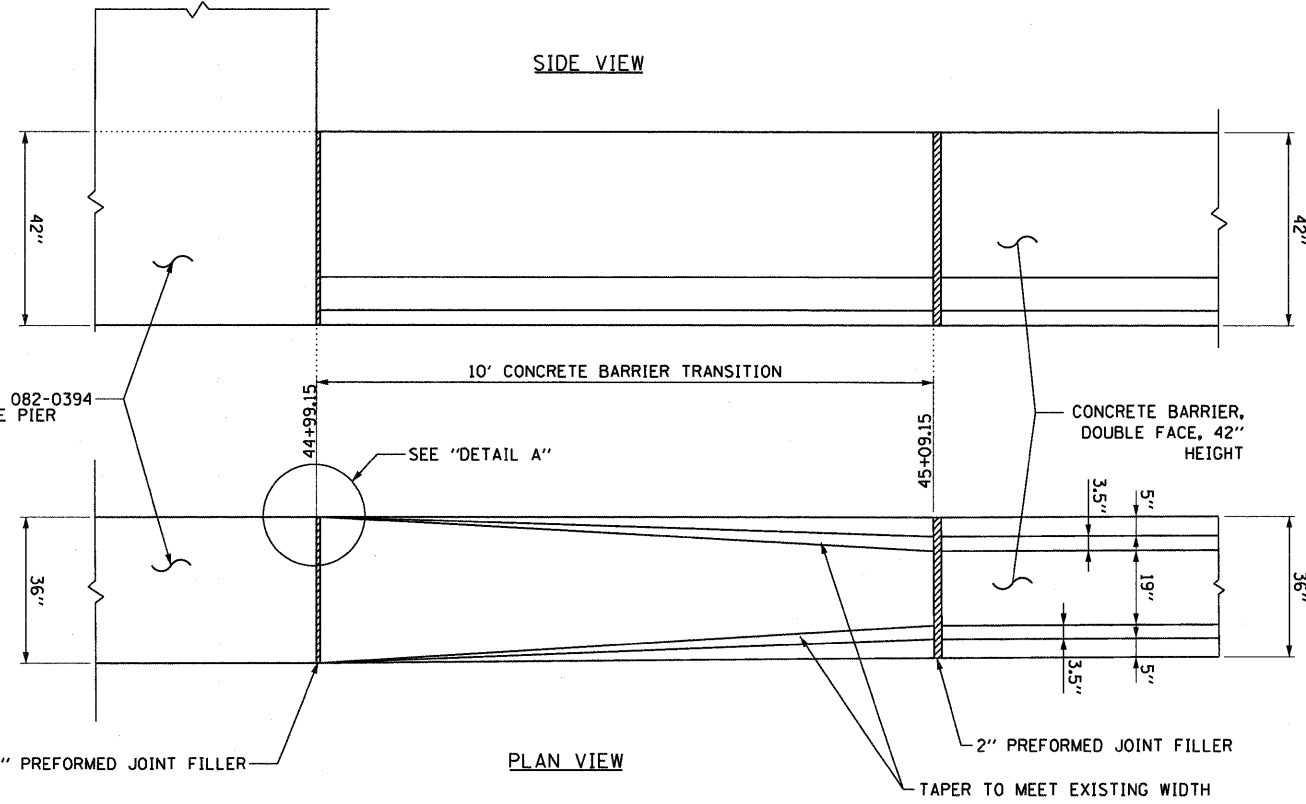
CONCRETE BARRIER, DOUBLE FACE, 42 INCH HEIGHT TRANSITION TO EX PEDESTRIAN OVERPASS BRIDGE PIER (SN 082-0394)

CROSS SECTION VIEW



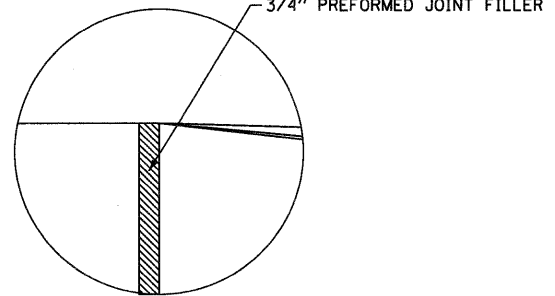
GENERAL NOTES

- CONTRACTOR OPTIONS FOR FILL BETWEEN BARRIER WALLS (WHEN NEEDED):  
A. PLACE 4" CLASS S1 CONCRETE.  
B. PLACE 12" OF GRANULAR MATERIAL AT BASE BETWEEN WALLS.  
C. PLACE GRANULAR MATERIAL FROM BASE TO BOTTOM OF 4" CAP. FORMING MATERIAL FOR 4" CAP MAY REMAIN IN PLACE.
- REINFORCING STEEL SHALL EXTEND CONTINUOUS THROUGH CONSTRUCTION JOINTS. AT JOINTS WITH EXISTING BARRIER WALL TO REMAIN, SEE STANDARD 637006 FOR JOINT DETAILS.
- EXPANSION JOINTS SHOWN ON THIS DRAWING SHALL BE PREFORMED JOINT MATERIAL (BITUMINOUS TYPE) FILLER SHALL MEET AASHTO DESIGNATION M-33.
- ALL REINFORCING STEEL SHALL BE GRADE 40 OR GRADE 60 MEETING THE REQUIREMENTS OF AASHTO M31 OR ASTM A615.
- ALL WORK DETAILED HEREIN SHALL BE INCLUDED IN THE COST OF THE VARIOUS CONCRETE BARRIER PAY ITEMS.
- PREFORMED JOINT FILLER SHALL BE INCLUDED IN THE COST OF THE CONCRETE BARRIER TRANSITION.
- JOINTS SHALL BE CONSTRUCTED AS SHOWN ON THE PLANS AND IN ACCORDANCE WITH ARTICLE 637.08 OF THE STANDARD SPECIFICATIONS



PLAN VIEW

CONCRETE BARRIER, DOUBLE FACE, 42 INCH HEIGHT TRANSITION TO EX PEDESTRIAN OVERPASS BRIDGE PIER (SN 082-0394)



DETAIL A

FILE NAME = DBT-r1-76C52-sht-details.07.dgn	USER NAME = searab	DESIGNED BS	REVISED -	<b>STATE OF ILLINOIS DEPARTMENT OF TRANSPORTATION</b>	<b>ROADWAY DETAILS</b>			F.A.I. RTE.	SECTION	COUNTY	TOTAL SHEETS	SHEET NO.
		DRAWN BS	REVISED -		SCALE: 1" = 10'	SHEET NO. 7 OF 26 SHEETS	STA.	TO STA.	82-1-RIA), 82-1-R(B)	ST. CLAIR	629	504
		CHECKED DBM	REVISED -						64/998/70		629	504
		DATE 1-20-12	REVISED -						CONTRACT NO. 76C52			
								ILLINOIS FED. AID PROJECT				