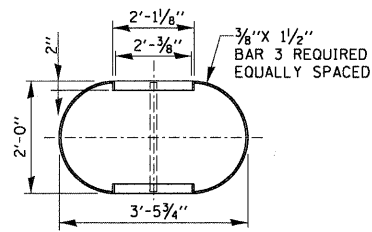
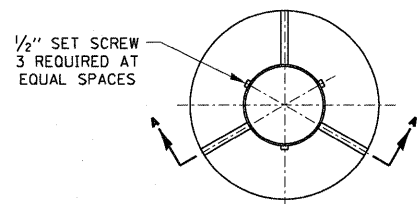
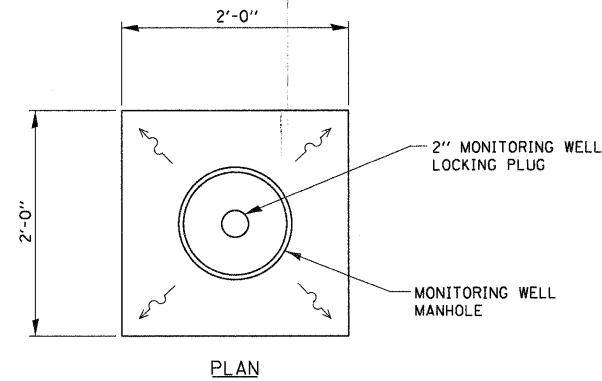


ELEVATION
DETAIL 1
N.T.S.

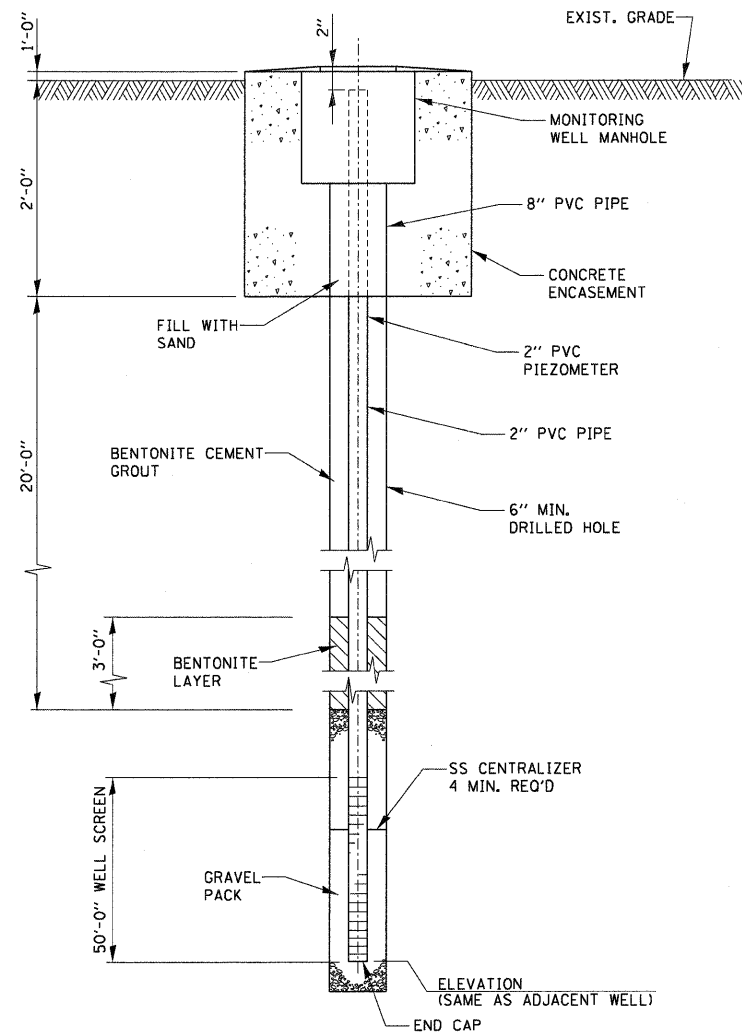


SECTION A-A
DETAIL 2
N.T.S.

WELL SCREEN CENTERING GUIDE



PLAN



DETAIL 3

PROFILE OF NEW PIEZOMETER
N.T.S.

NOTES:

1. LOCATE THE PROPOSED PIEZOMETER WELL WITHIN A 10'-0" RADIAL DISTANCE FROM EACH PROPOSED DEEP WELL. SEE DRAWING DW-05 FOR PROPOSED DEEP WELL STATION AND OFFSET DIMENSIONS.
2. SEE DW-05 FOR GRADE ELEVATIONS AND WELL POINT ELEVATIONS.

DW-06

FILE NAME =
DBTRI-76C52-sht-wells-07.dgn

USER NAME = starmrb
PLOT SCALE = 2.0000' / in.
PLOT DATE = 1/18/2012

DESIGNED JPC
DRAWN TCL
CHECKED WDS
DATE 1-20-12

REVISED -
REVISED -
REVISED -
REVISED -

STATE OF ILLINOIS
DEPARTMENT OF TRANSPORTATION

DEEP WELL DETAILS
PROPOSED PIEZOMETER WELL

SCALE: NONE SHEET NO. 1 OF 1 SHEETS STA. N/A TO STA. N/A

F.A.I. RTE.	SECTION	COUNTY	TOTAL SHEETS	SHEET NO.
*	82-1-RIA, 82-1-R(B)	ST. CLAIR	629	445
64/998/70		CONTRACT NO. 76C52		
FED. ROAD DIST. NO.		ILLINOIS FED. AID PROJECT		