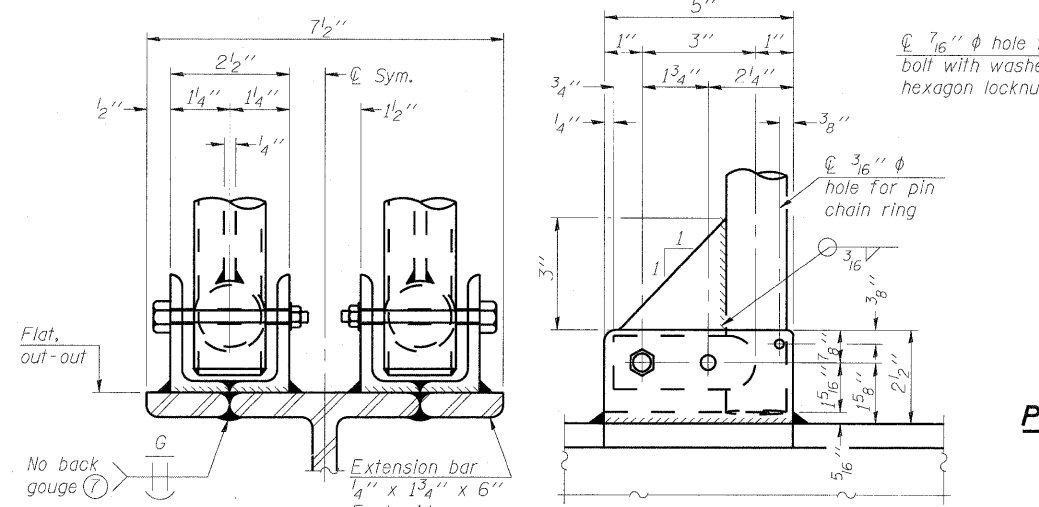
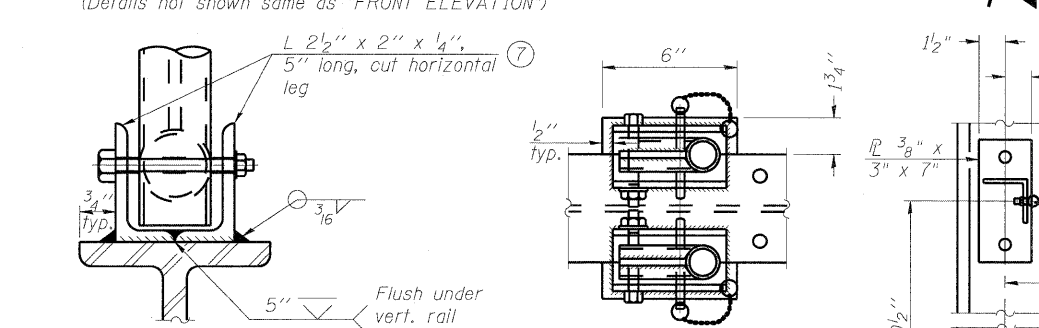


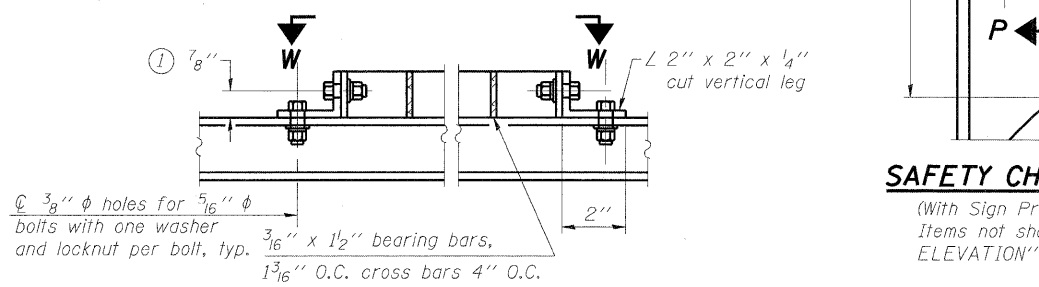
SECTION F-F LIGHTING FIXTURE MOUNTS
(If required)



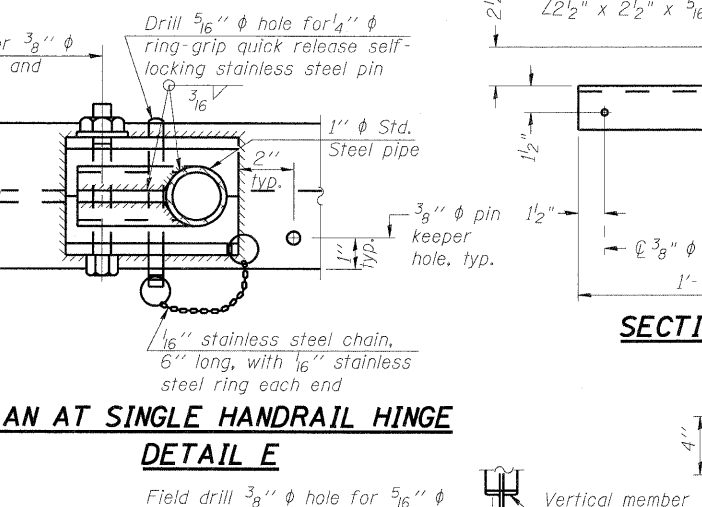
SIDE ELEVATION DETAIL D HANDRAIL FRONT ELEVATION



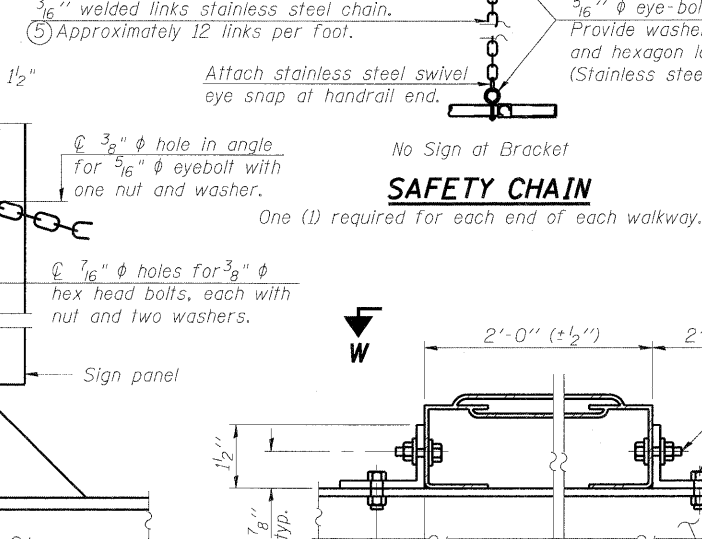
ELEVATION AT HANDRAIL JOINT SIDE ELEVATION



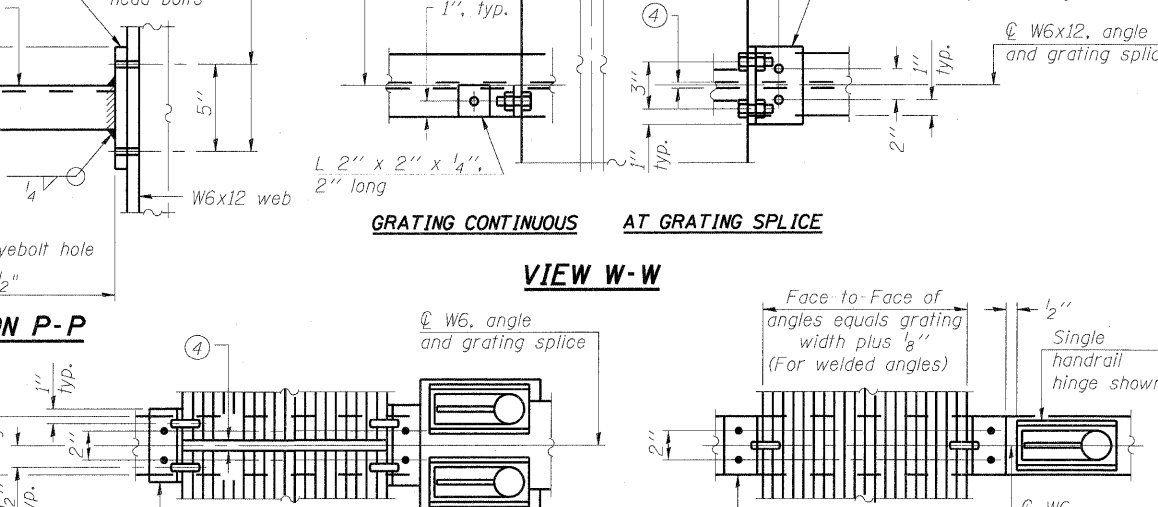
FRONT ELEVATION PLAN AT HANDRAIL JOINT



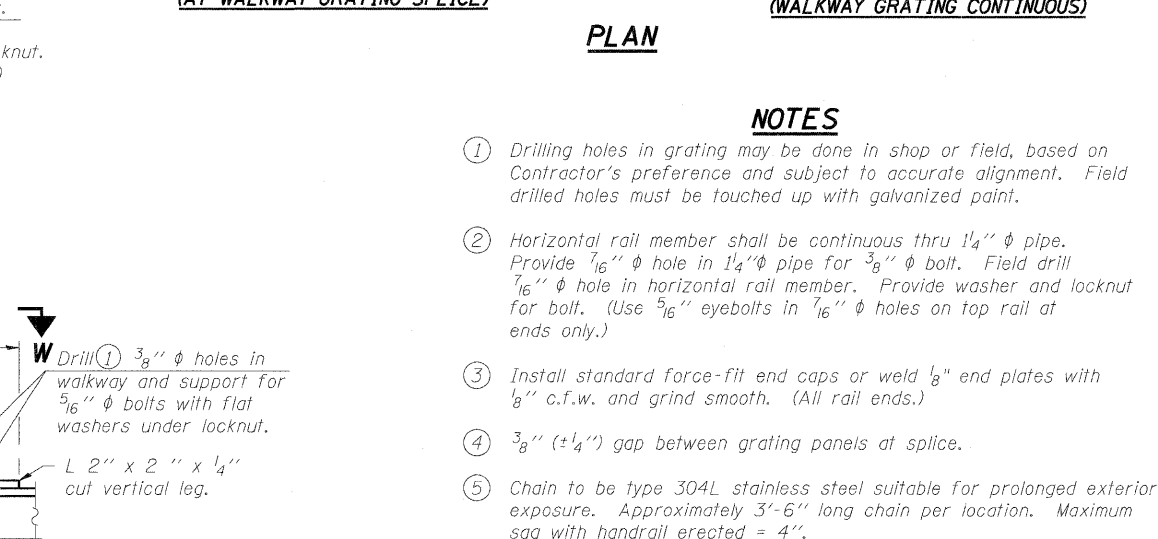
PLAN AT SINGLE HANDRAIL HINGE DETAIL E



SAFETY CHAIN ATTACHMENT

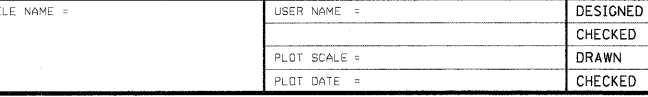


SECTION P-P VIEW W-W PLAN

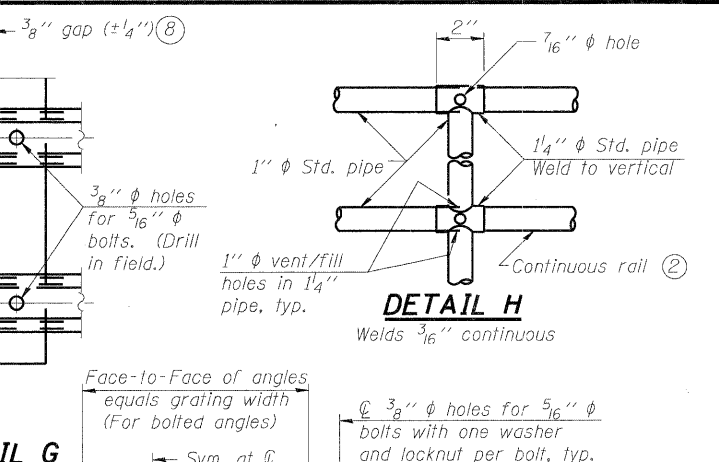


ALTERNATE FORMED PLANK GRATING DETAILS

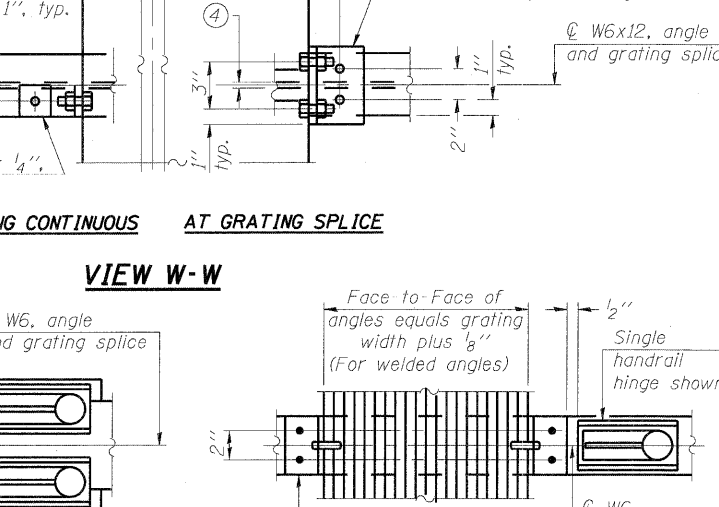
WELDED BAR GRATING DETAILS



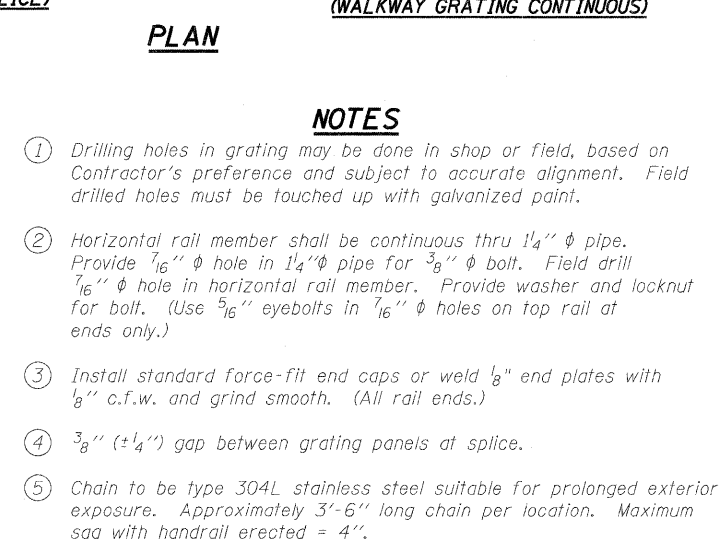
WELDED BAR GRATING DETAILS



DETAIL H



DETAIL F DETAIL G



NOTES

FILE NAME =	USER NAME =	DESIGNED - PMK	REVISED -	STATE OF ILLINOIS DEPARTMENT OF TRANSPORTATION	BRIDGE MOUNT SIGN STRUCTURES WALKWAY DETAILS	F.A.I. RTE.	SECTION	COUNTY	TOTAL SHEETS	SHEET NO.
		CHECKED - MPW	REVISED -			82-1-RIA, 82-1-R(B)	ST. CLAIR	629	432	
PLOT SCALE =		DRAWN - PMK	REVISED -			CONTRACT NO. 76C52				
PLOT DATE =		CHECKED - MPW	REVISED -			ILLINOIS FED. AID PROJECT				